

ACTUA 10 ROOF TILES

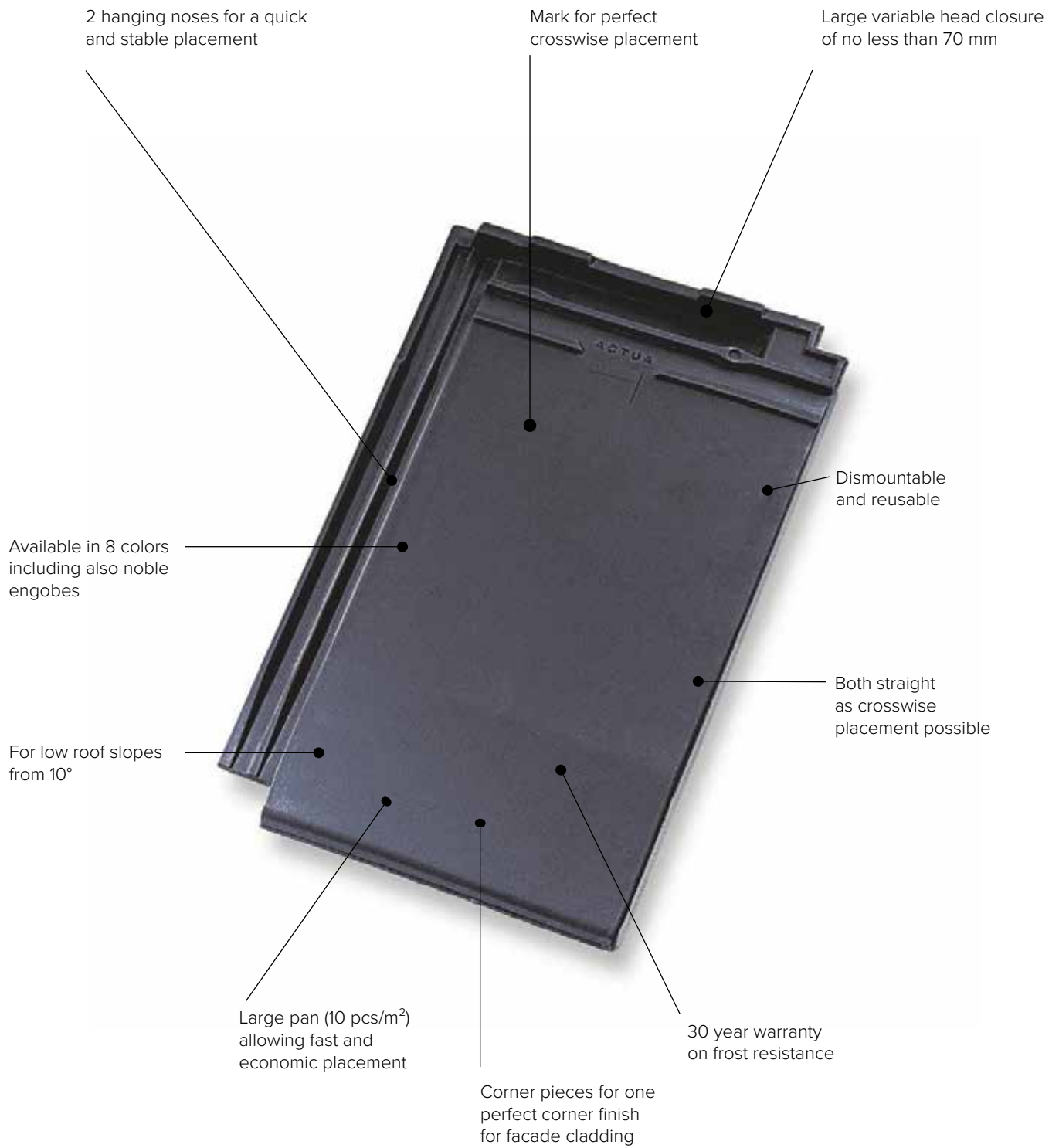


LOHAS

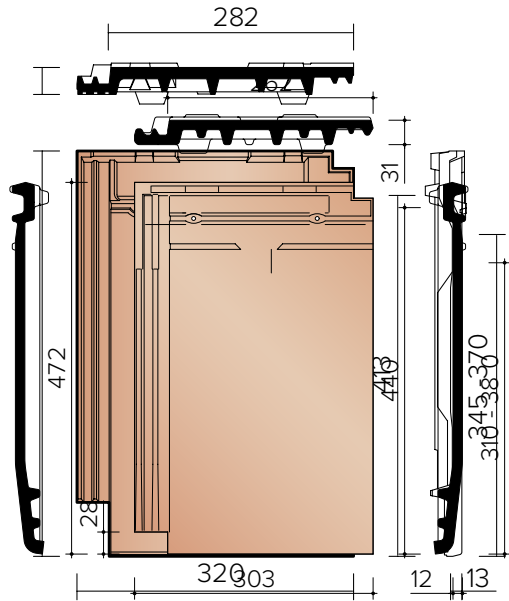
Australia



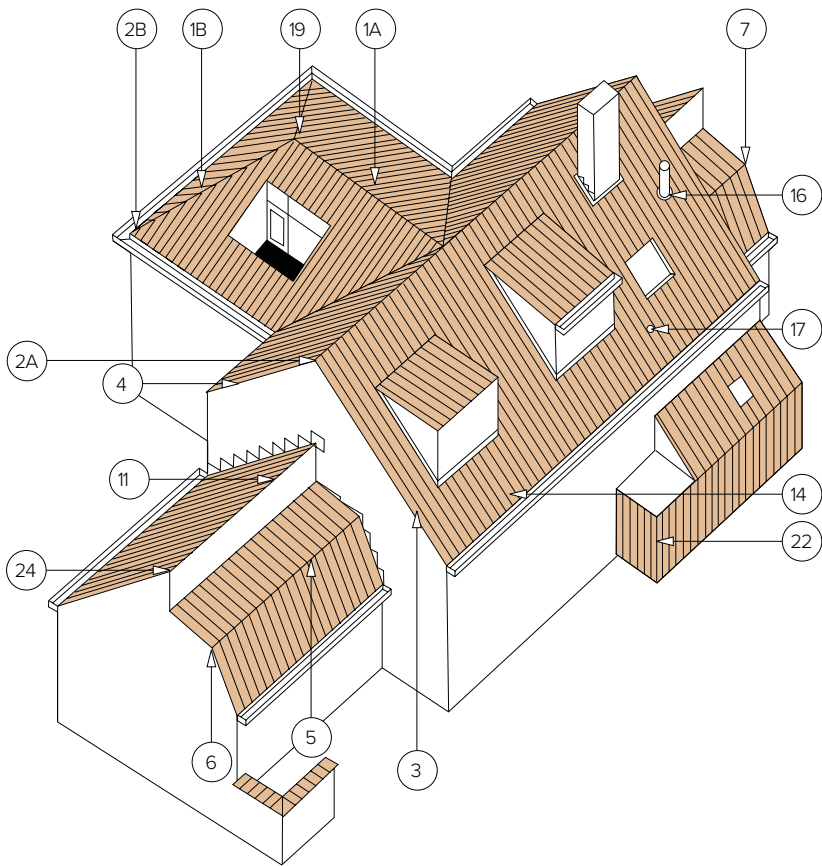
Acuta 10



TECHNICAL INFORMATION



Definition:	Flat clay roof tile with double side closure, double head closure and adjustable slat spacing
Min. roof slope with shelter - Fleece or Fleece Plus:	24° when placed crosswise 40° with straight installation and roof surface length ≤ 8 m
- Fleece Plus:	10° with batten spacing 310 mm and roof surface length ≤ 9 m *
- Fleece Premium:	10° subject to the instructions in the brochure Facade and underroof films
Useful length (bar spacing):	± 310 - 380 mm
Useful width:	± 262 mm
Number of pieces/m ² :	± 10,0 - 12,4
Unit weight:	± 4,4 kg
Weight per m ² :	± 44 kg - 54,6 kg
Breaking load:	> 900 N
Impermeability:	≤ 0,5 cm ³ /cm ² .d
Frost resistance:	Frost resistance [EN 539-2]
Placement:	Crosswise Straight installation possible from 40° roof pitch, with roof surface length ≤ 8 m.



1A Frost	1900
	2800
1B North Tree	1900
	2800
2A Beginning frost with head plate	1910
	2810
End frost with head plate	1920
	2820
Angular head plate	2840
2B Beginning North Tree	1960
	2860
3 Left facade tile	7020
	7080
Left facade panel	7060
Pan without side closure	8045
	8040
4 Right facade tile	7030
	7090
Right facade panel	7070
5 kink pan	8200
6 Left gable hinged tile	7280
Left half facade kink tile	7220
7 Right gable hinged tile	7290
Right half gable tile	7230
11 Universal hook frost	2200
14 half pan	8010
16 Kit cooker + cap	8729
17 Ventilation pan	8640
19 Prince's Hat	5870
	5610
22 Half corner piece	8800
corner piece	8810
24 Head plate for universal hook frost	2240

1



2

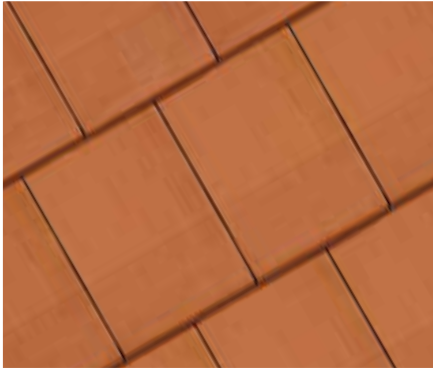


3

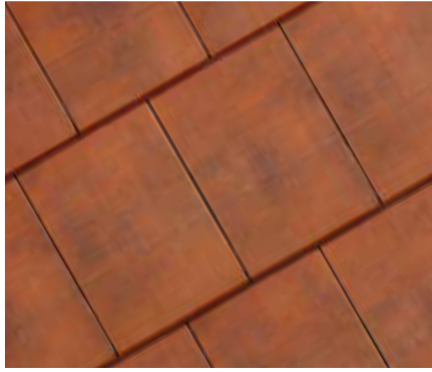


1. Actua 10 Natural Red, Brown and Cloudy
2. Actua 10 Anthracite Matte
3. Actua 10 Cloudy

COLOUR RANGE



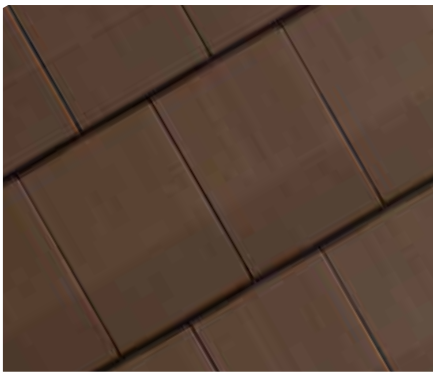
Natural Red



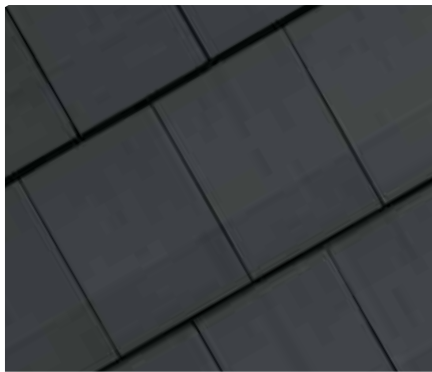
Cloudy



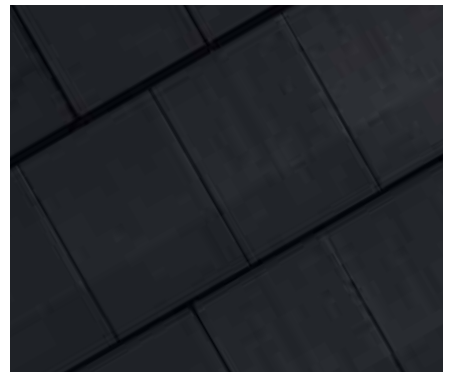
Grey



Brown



Anthracite Matte



Titanium Black



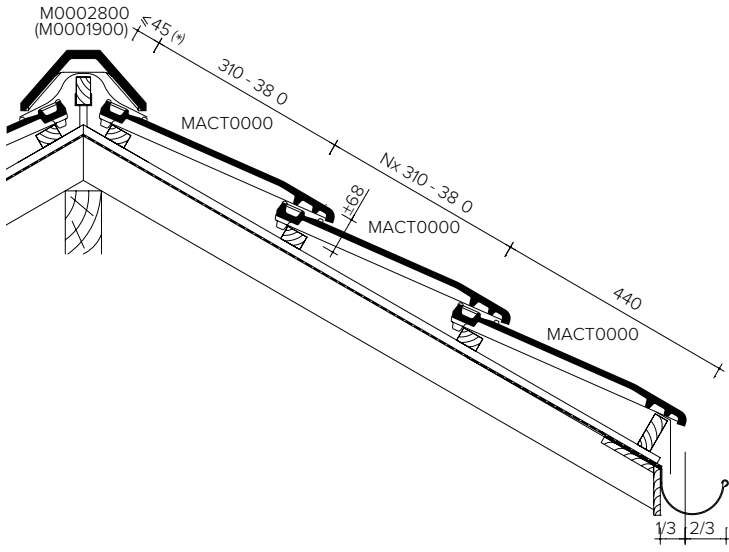
Titanium Grey



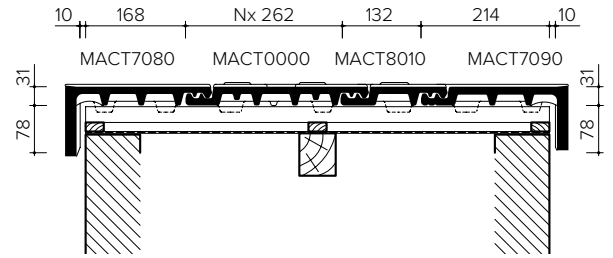
Titanium White

TECHNICAL INFORMATION - LAYING PLANS

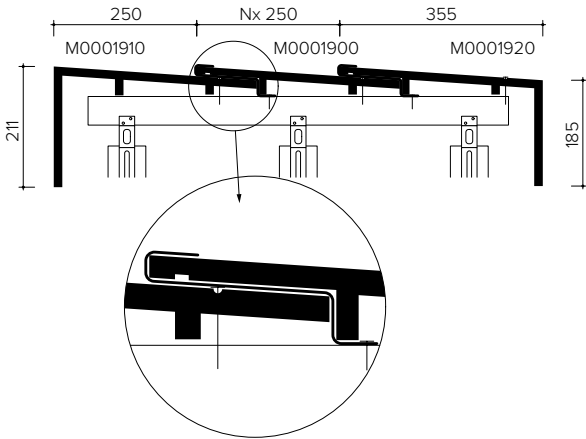
Length-Section roof at frost



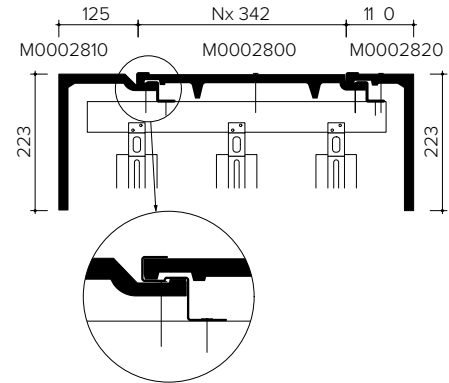
Cross-Section roof at height from facade panels



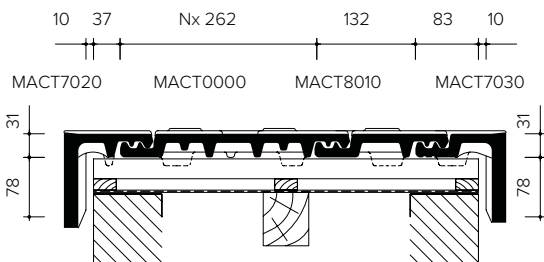
Cross-Section roof at the height of angular frost



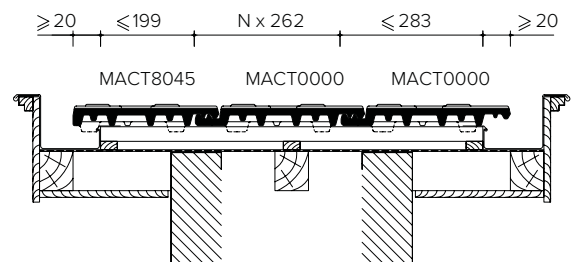
Cross-Section roof at the height of angle frost



Cross-Section roof at the height of half facade

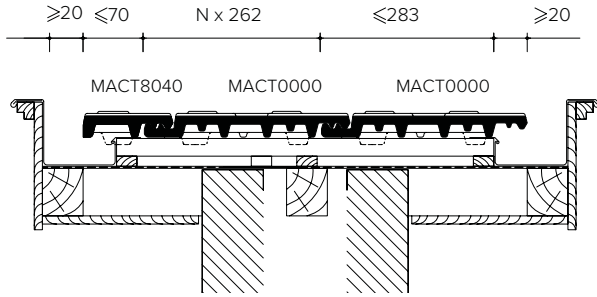


Cross-section roof at the height of pan without side closure

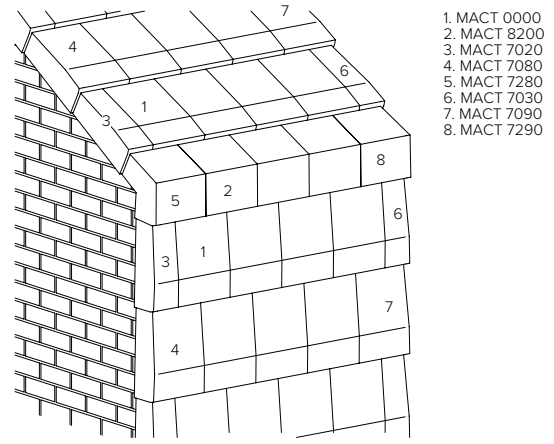


TECHNICAL INFORMATION - LAYING PLANS

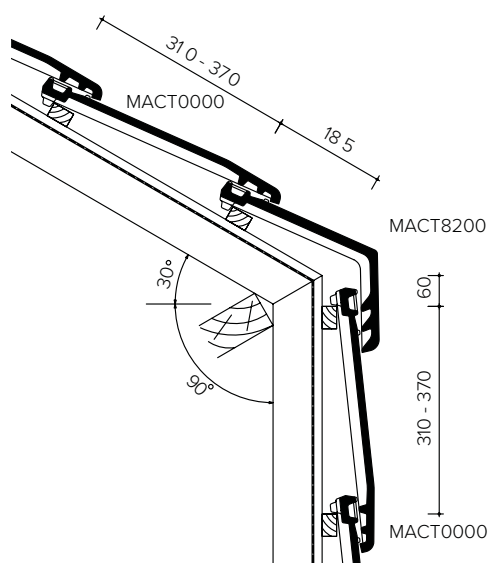
Cross-Section roof at half pan without side closure



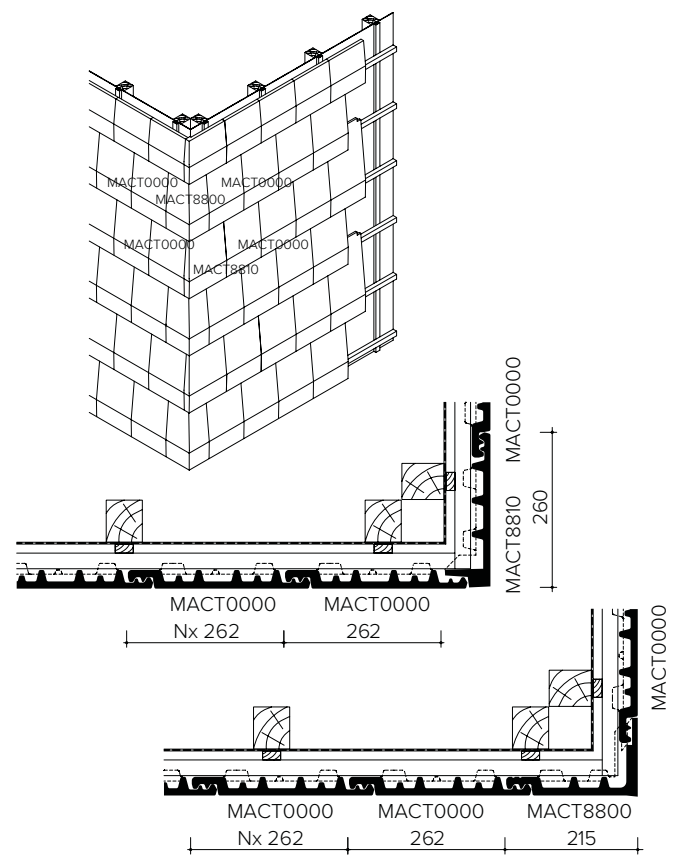
3D drawing with knick pan



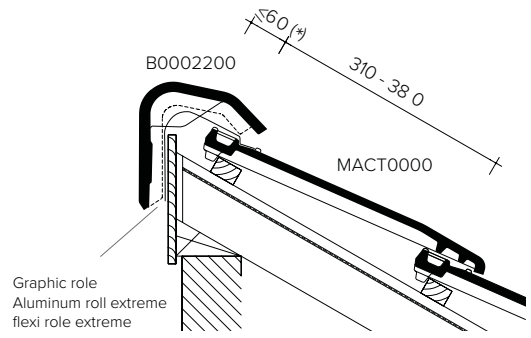
Length-Section roof at the height of knickpan



3D drawing facade cladding with section

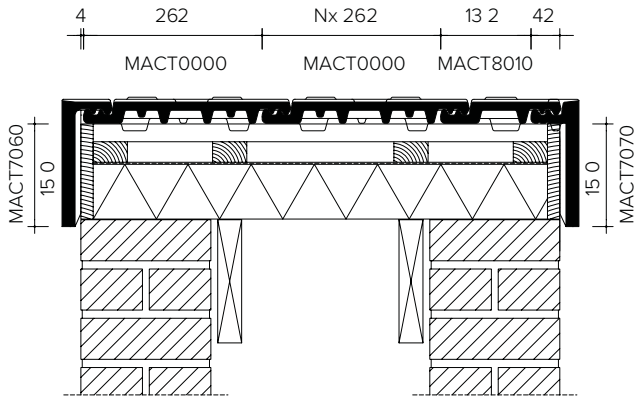


Length-Section roof at the height of universal crochet frost

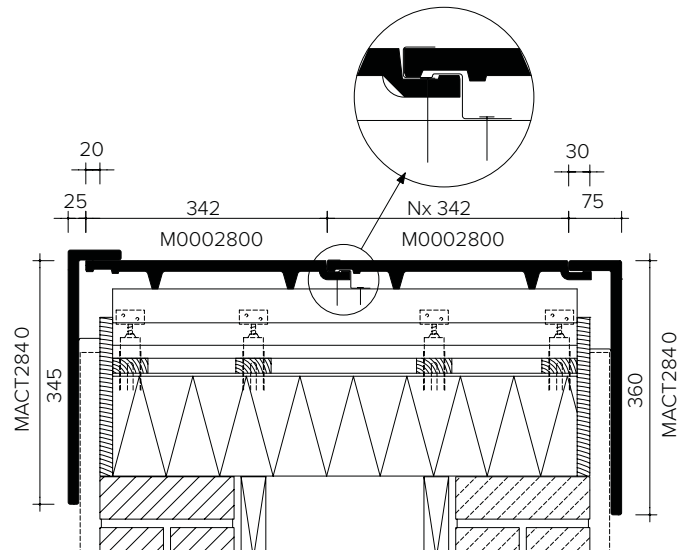


TECHNICAL INFORMATION

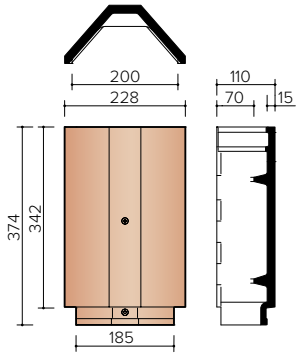
Cross-Section roof at the height of facade panels



Cross-Section roof at frost 2800 when using facade panels

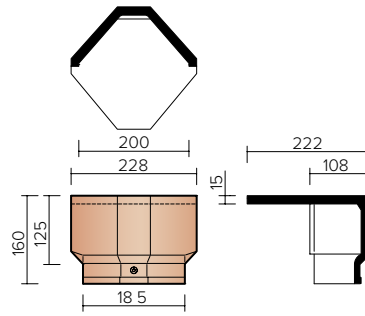


TECHNICAL INFORMATION - MONARCHS



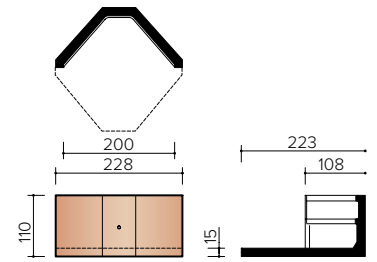
M0002800

3 pieces/Lm
Angular frost/northern tree Actua 10



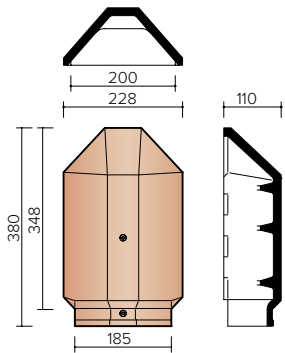
M0002810

Angular early frost Actua 10



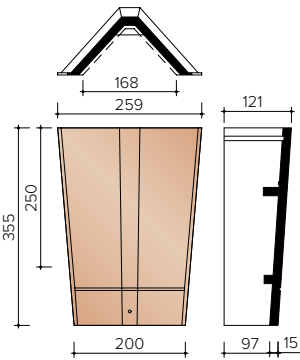
M0002820

Angular final frost Actua 10



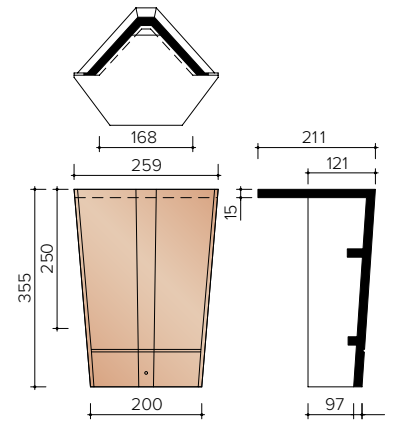
M0002860

Angular North Pole Actua 10



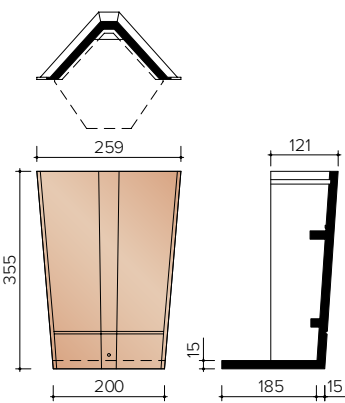
M0001900

4 pieces/Lm
Angular frost/northern

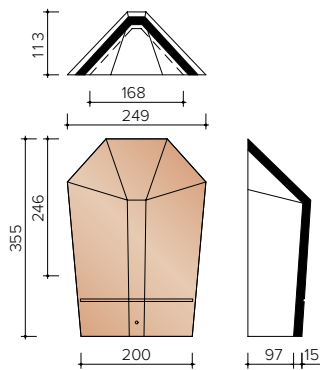


M0001910

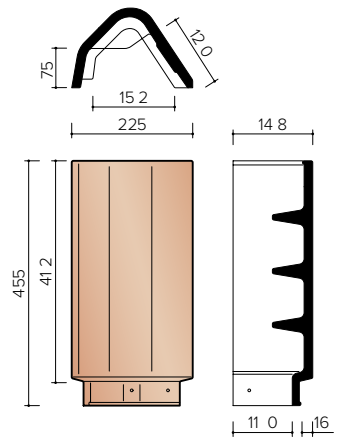
Angular initial frost



M0001920



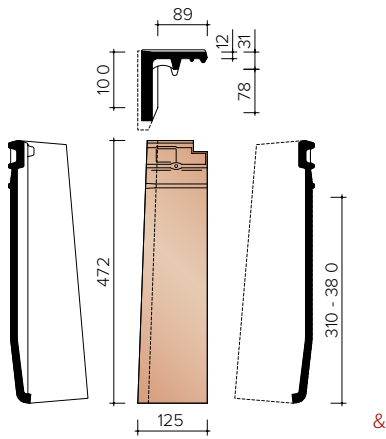
M0001960



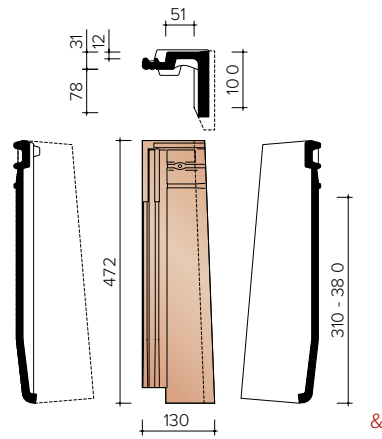
M0002200

4.5 pieces/Lm

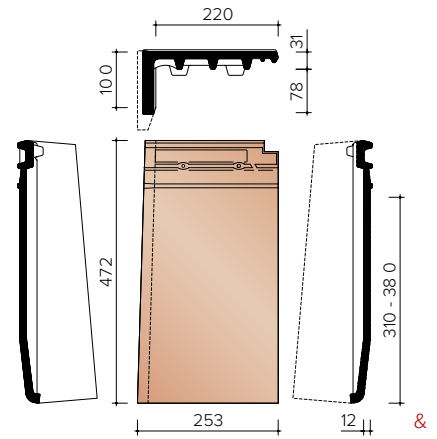
TECHNICAL INFORMATION - CLADDING TILES



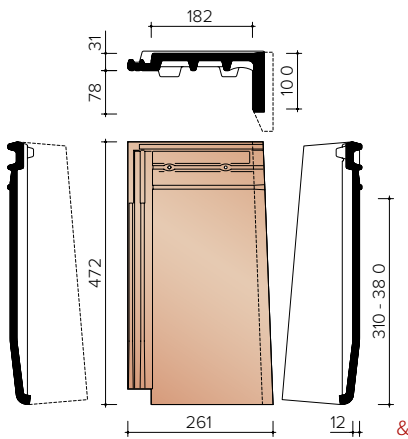
MACT7020
1.3 pieces/Lm
Half left facade tile



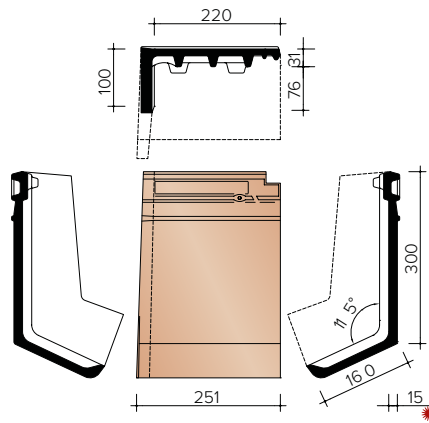
MACT7030
1.3 pieces/Lm
Half right facade tile



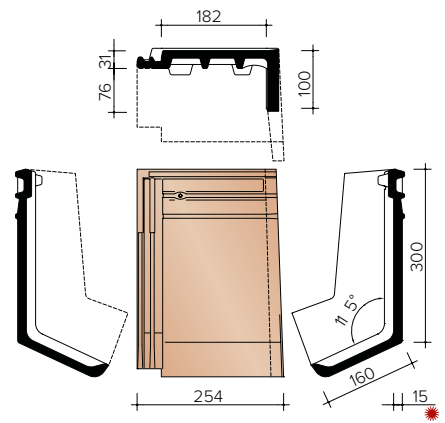
MACT7080
1.3 pieces/Lm
Left facade tile



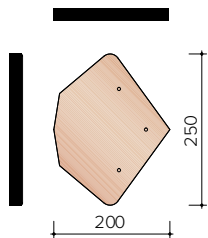
MACT7090
1.3 pieces/Lm
Right facade tile



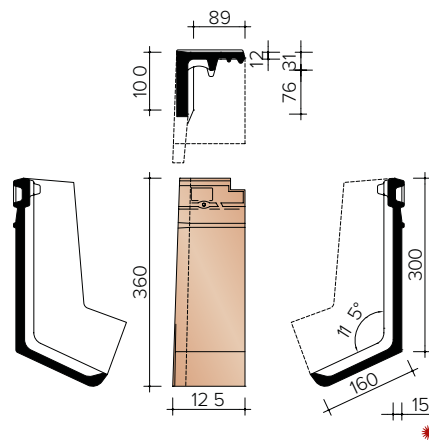
MACT7280
Left gable tile



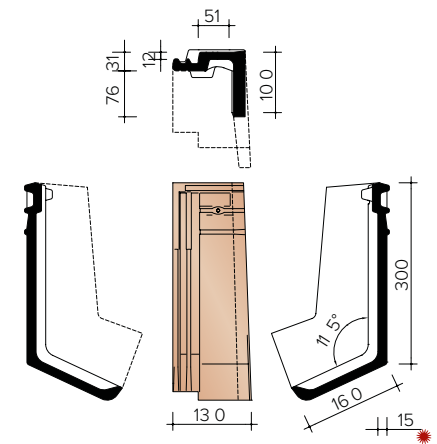
MACT7290
Right gable tile



M0002240
Head plate for universal hook frost



MACT7220
Tailor-made left half gable tile

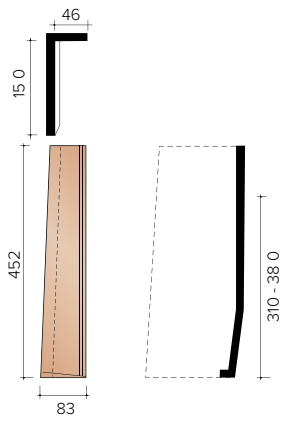


MACT7230
Tailor-made right half gable

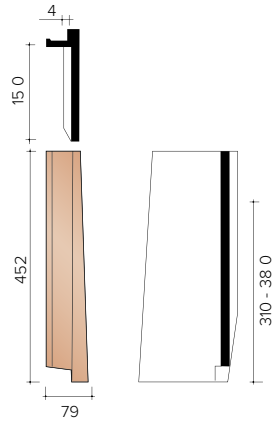
& Can always be used together in crosswise placement

⚡ For custom glued pieces, the customer must specify the opening angle. By default, the length of the drawing is provided in the documentation. Other sizes are possible as far as the sum of the two external dimensions is not greater than the total length of the tile, and the length of the section of the hinged tile that is placed on the facade is not greater than the portion on the roof. These pieces are made to measure (= purchase obligation).

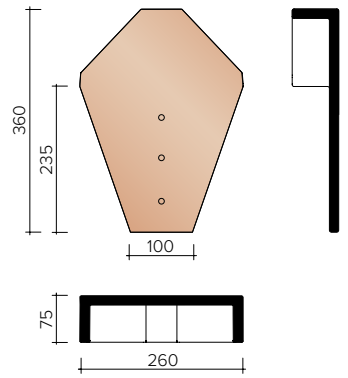
TECHNICAL INFORMATION - CLADDING TILES AND OTHER ACCESSORIES



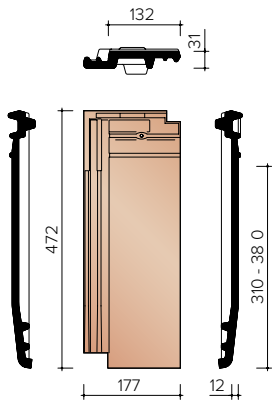
MACT7060
2.6 pieces/Lm
Left Facade Panel



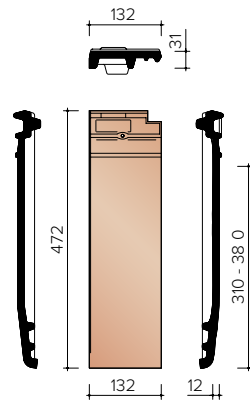
MACT7070
2.6 pieces/Lm
Right Facade Panel



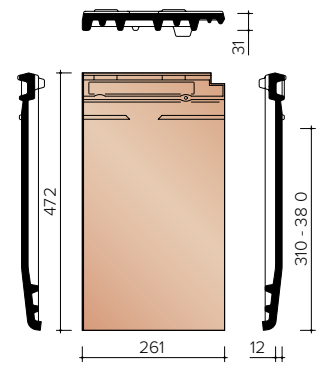
MACT2840
Angular Head Plate



MACT8010
1.3 pieces/Lm
Half pan



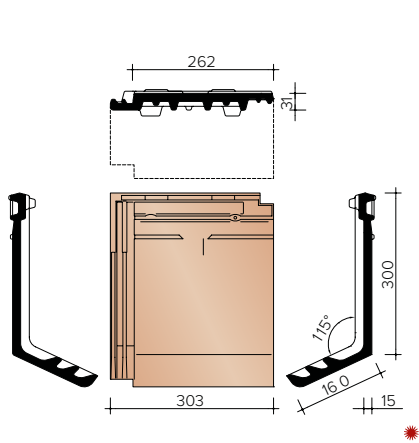
MACT8040
1.3 pieces/Lm
Half pan without side closure



MACT8045
1.3 pieces/Lm
Pan without side closure

& End plate and facade plate can always be used together.

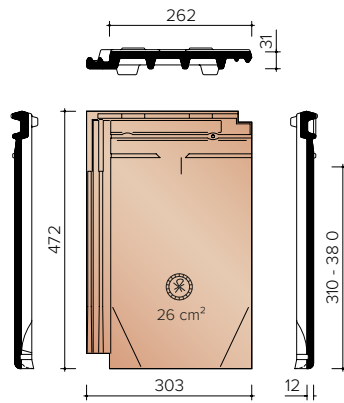
TECHNICAL INFORMATION - OTHER ACCESSORIES



MACT8200

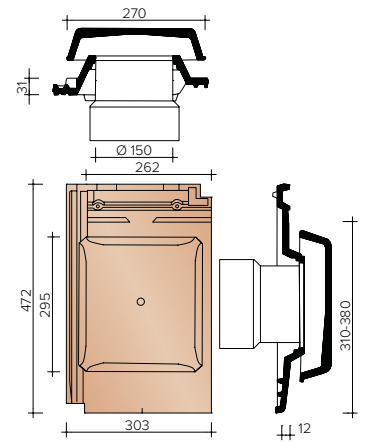
3.8 pieces/Lm

Customised knuckle pan (glued)

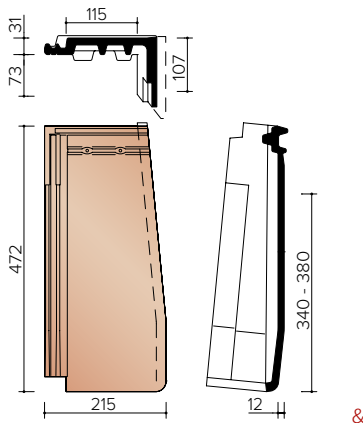


MACT8640

Ventilation pan with grid - 26 cm²



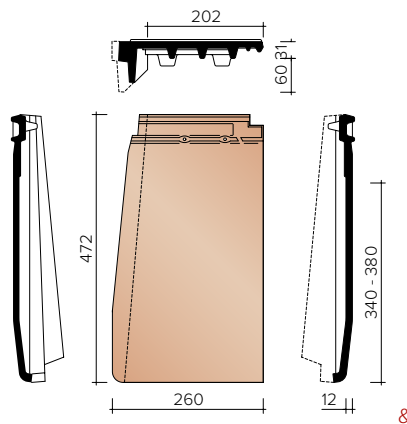
MACT8729



MACT8800

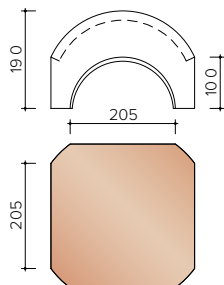
1.3 pieces/Lm

Half corner piece

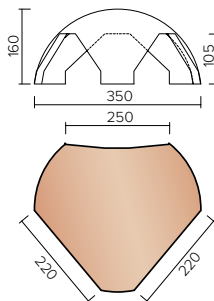


M0005610

1.3 pieces/Lm Corner piece



M0005610



M0005870

& Can always be used together in crosswise placement

* For custom glued pieces, the customer must specify the opening angle. By default, the length of the drawing is provided in the documentation. Other sizes are possible as far as the sum of the two external dimensions is not greater than the total length of the tile, and the length of the section of the hinged tile that is placed on the facade is not greater than the portion on the roof. These pieces are made to measure (= purchase obligation).



LOHAS

Australia

