

ALEONARD ROOF TILES



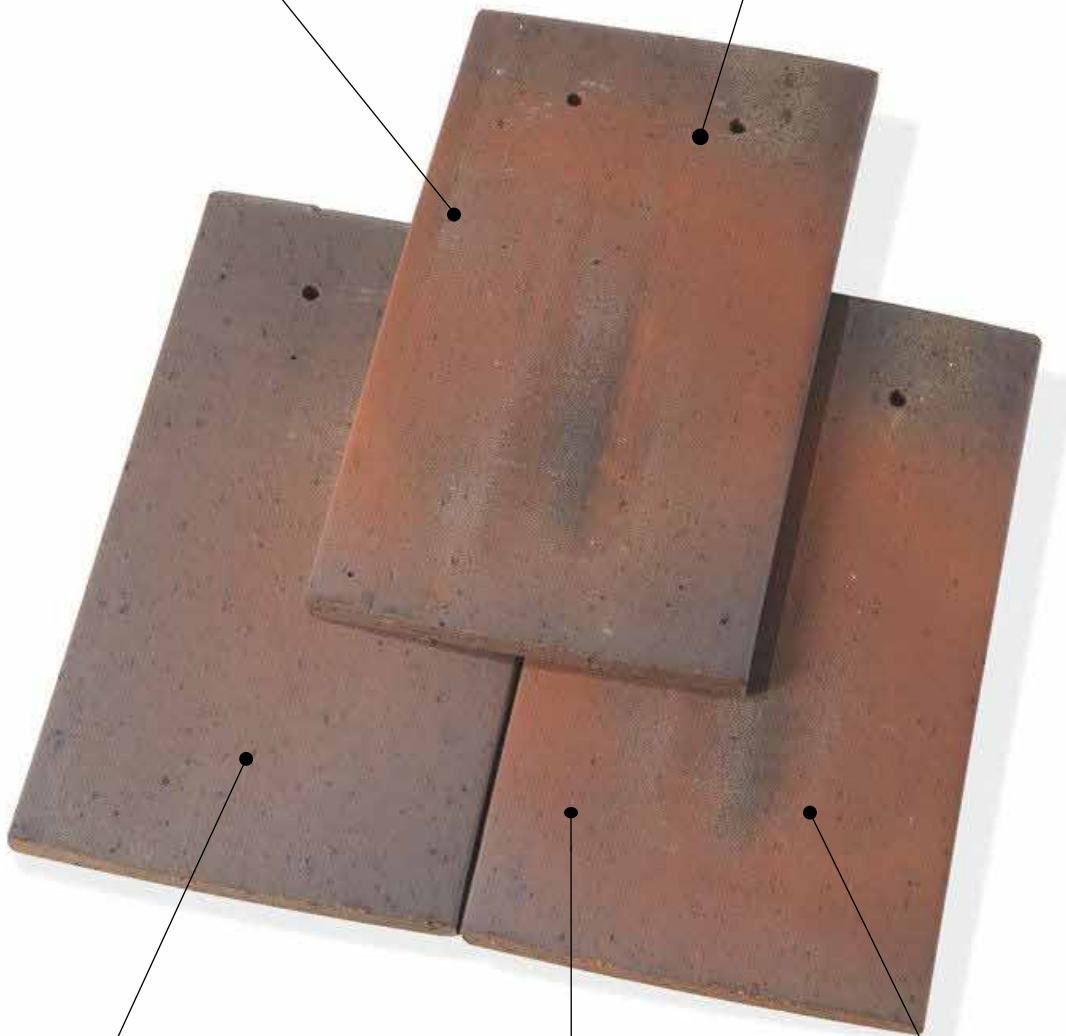
LOHAS
Australia



Aleonard Esprit Patrimoine mix of Rouge de mars, Noir de vigne & Vert de lichen

Artisan product, giving every roof an unique look

Perfect for modern or classically inspired architecture



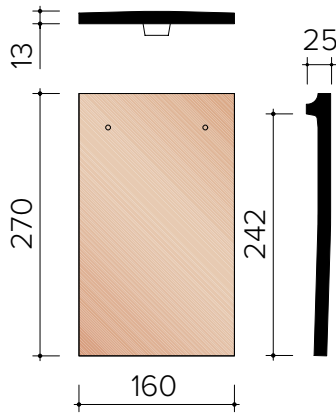
2 types, 2 sizes and 10 colors
= many combination options

30 year warranty
on frost resistance

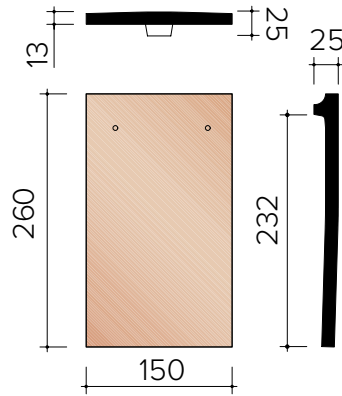
A long history

TECHNICAL INFORMATION

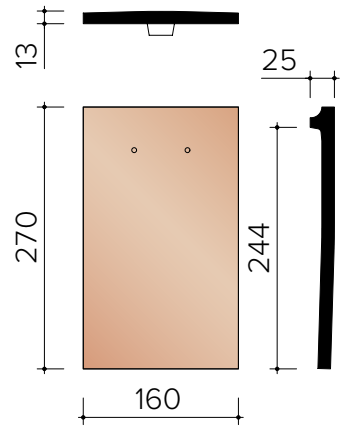
Patrimoine 16 X 27



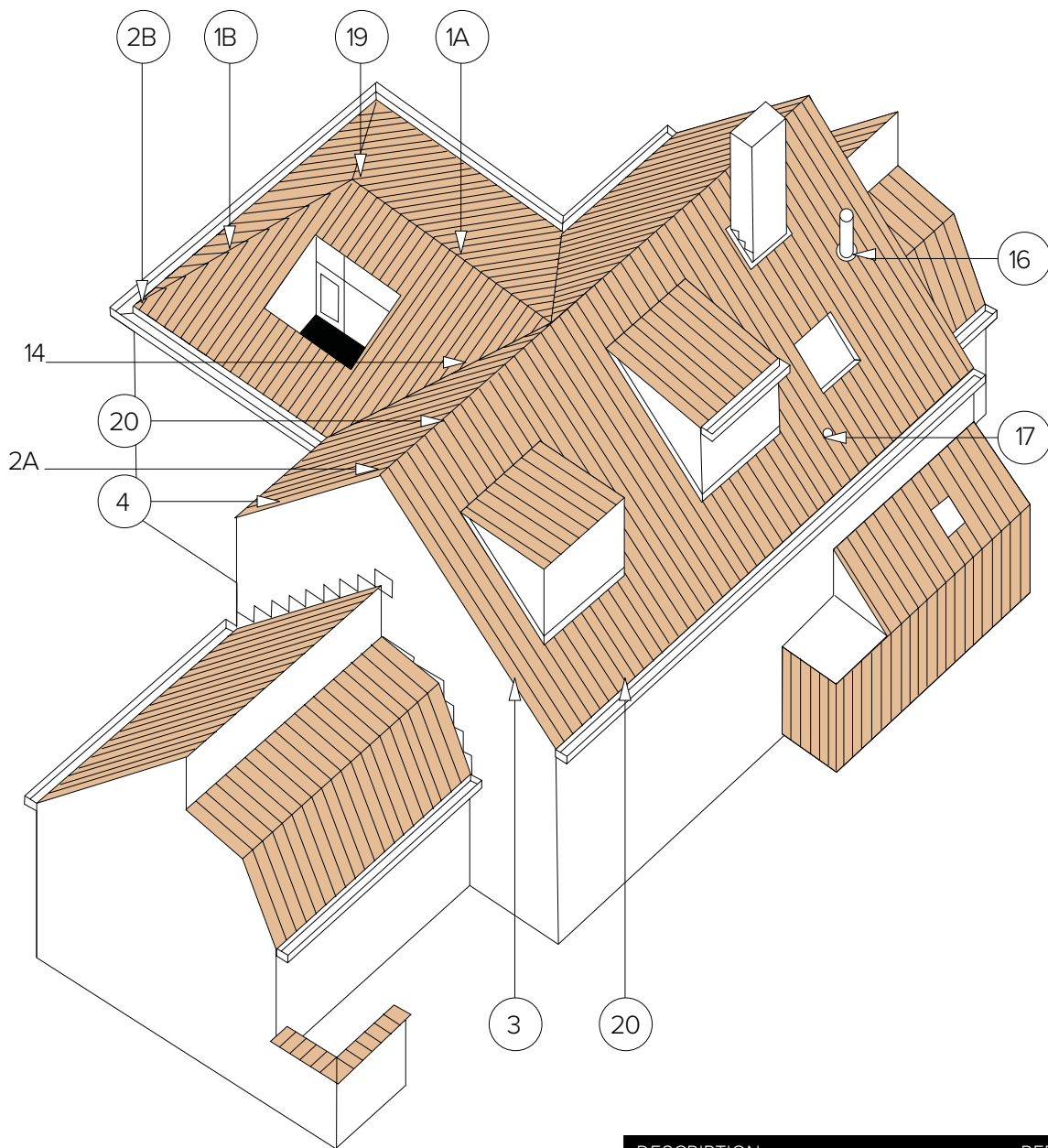
Patrimoine 15 X 26



Pontigny 16 X 27



Definition: Aleonard Pontigny Aleonard Esprit	Flat drawn tile pan 16 x 27 cm 16 x 27 cm and 15 x 26 cm
Min. roof slope with shelter - Fleece or Fleece Plus: - Fleece Premium:	35° 15°, subject to observance of the instructions in the Façade and under roof films brochure.
Useful length (bar spacing):	± 100 mm
Useful width:	± 160 mm for Esprit Patrimoine & Pontigny 16 x 27 [EN 1024] ± 150 mm for Esprit Patrimoine 15 x 26 [EN 1024] *
Number of pieces/m2:	± 62 for Esprit Patrimoine & Pontigny 16 x 27 cm ± 66 for Esprit Heritage 15 x 26 cm ± 64 for Esprit Patrimoine with mixture (50/50)
Unit weight:	± 1.26 kg for Pontigny 16 x 27 cm ± 1.27 kg for Esprit Patrimoine 16 x 27 cm ± 1.14 kg for Esprit Patrimoine 15 x 26 cm
Weight per m2:	± 78.1 kg for Pontigny 16 x 27 cm ± 78.7 kg for Esprit Patrimoine 16 x 27 cm ± 75.2 kg for Esprit Patrimoine 15 x 26 cm
Breaking load:	> 600 N [EN 538]
Impermeability:	≤ 0,5 cm ³ /cm ² .d [EN 539-1]
Frost resistance:	Frost resistance [EN 539-2]
Placement:	Crosswise



DESCRIPTION	REF. CODE
1A Frost	1400
	1800
1B North	3700
	3800
2A Beginning and Final Frost	1420
	1810
2B Beginning North	3710
	3810
3 Left Facade	7080
4 Right Facade	7090
14 One and a Half Pan	8020
Half Pan	8010
16 Kokerpan	8720
Cap for Cooker	8730
17 Ventilation Pan	8610
	8954
19 Connecting Piece	5800
	5880
20 Short Pan	8110

*Tip: the tiles must not be placed against each other (± 1 mm distance), to avoid damage to the tiles due to the setting of the supporting structure.

1

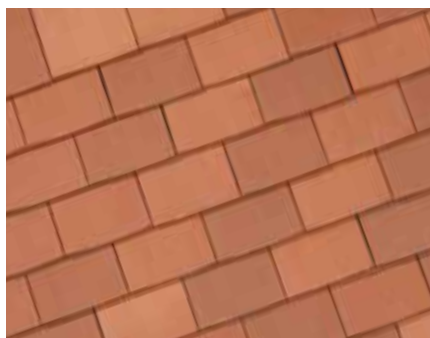


2

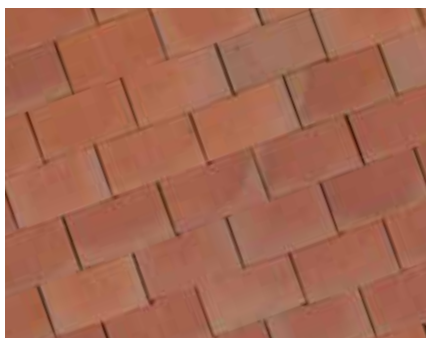


1 - Aleonard Pontigny Natural Red
2 - Aleonard Pontigny Vieilli Natural

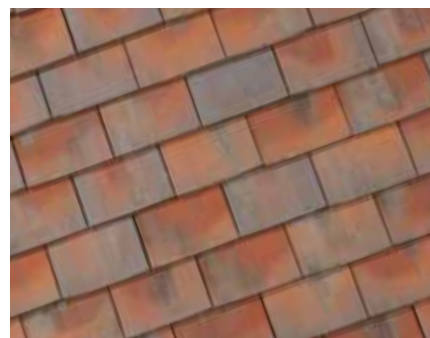
COLOUR RANGE



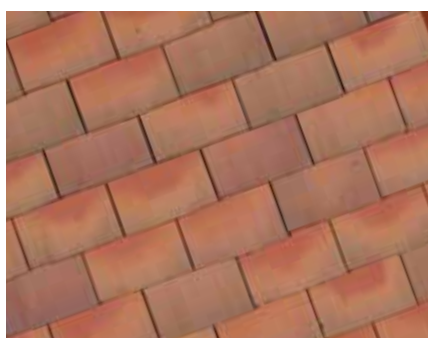
Pontigny Natural Red



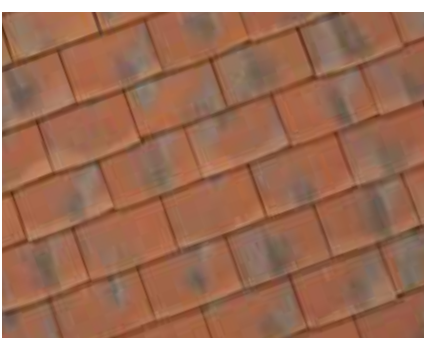
Pontigny Rouge flammé



Pontigny Brown flammé



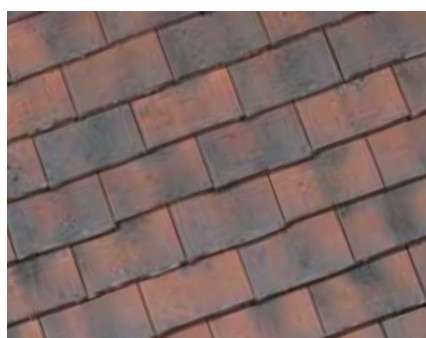
Pontigny Ocre Rose



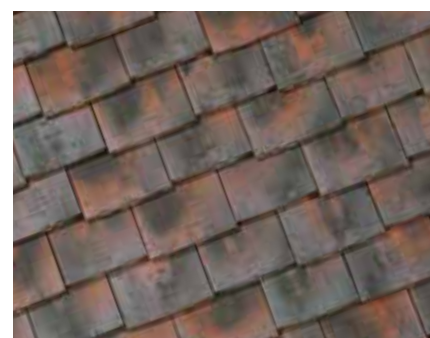
Pontigny Natural Aged



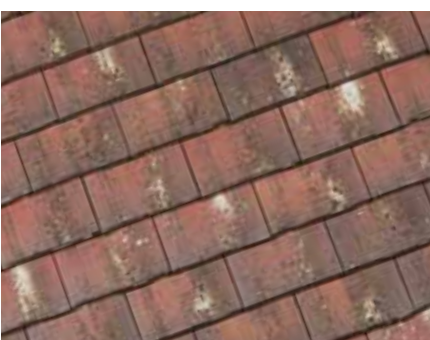
Patrimoine Rouge de mars



Patrimoine Noir de vigne



Patrimoine Noir de vigne intense



Pontigny Ocre Rose



Pontigny Natural Aged

MIX COLOUR RANGE



Patrimoine Rouge de mars 33 %
Noir de vigne 33 % & Vert de lichen 33 %



Patrimoine Rouge de mars 50 %
Noir de vigne 50 %



Patrimoine Vert de lichen 50 %
Rouge de mars 50 %



Pontigny Vieilli Natural 50 %
Brun flammé 50 %



Pontigny Vieilli Natural 40 %
Brun flammé 40 % & Ocre rose 20 %



2



3



4





1. Aleonard Pontigny mix of Rouge flammé & Brun flammé together with Tegelpan Aleonard Esprit Patrimoine Rouge de mars
2. Aleonard Heritage mix of Rouge de mars, Noir de vigne & Vert de lichen
3. Aleonard Esprit Heritage mix of Rouge de mars & Noir de vigne
4. Aleonard Esprit Heritage mix of Ocre lichen, Noir de vigne & Vert de lichen
5. Aleonard Esprit Patrimoine mix of Rouge de mars, Vert de lichen & Noir de vigne

1



2



3

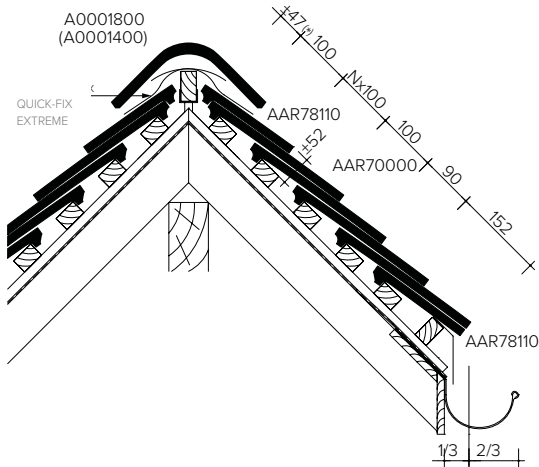




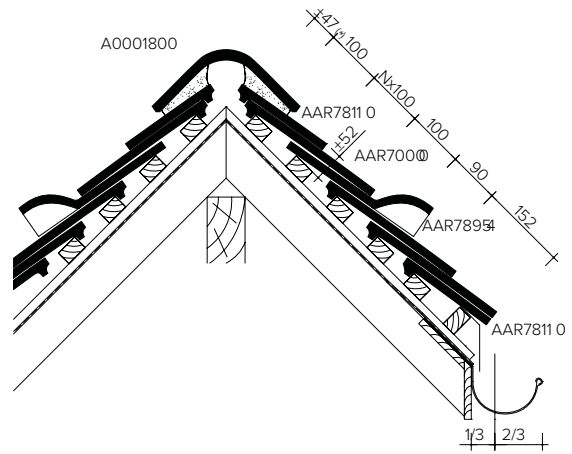
1. Aleonard Esprit Patrimoine mix of Ocre lichen, Rouge de mars, Noir de vigne & Vert de lichen
2. Aleonard Esprit Patrimoine Vert de lichen
3. Aleonard Pontigny mix of Brun Flammé, Vieilli Natural & Ocre rose



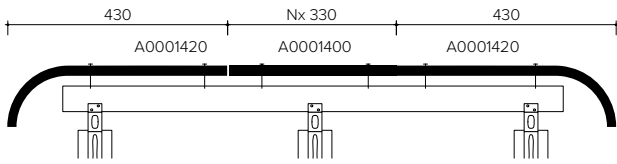
TECHNICAL INFORMATION - LAYING PLANS



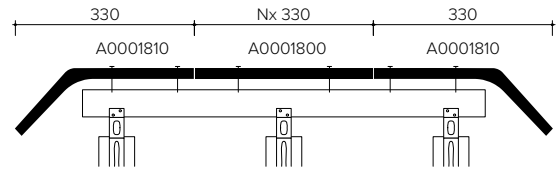
Length-third cover at height of prince with quick-fix extreme



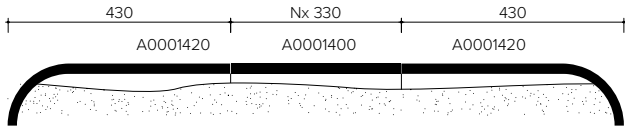
Length throughout roof tempted at height of prince



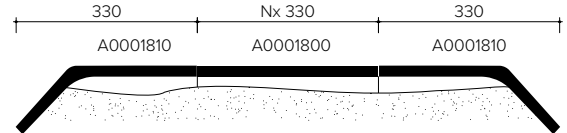
Cross-sector roof at height of prince 1400 with quick-fix extreme



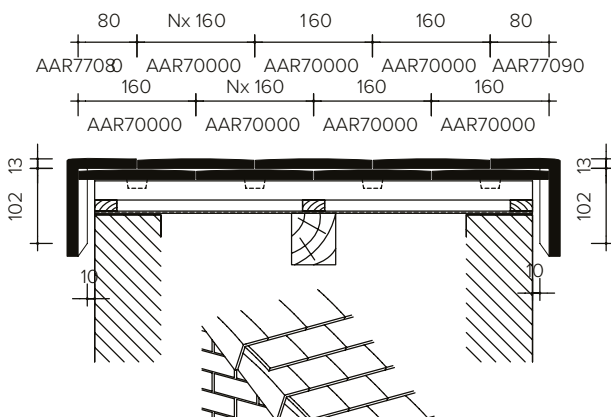
Cross-section roof at height 1800 from 1800 with quick-fix extreme



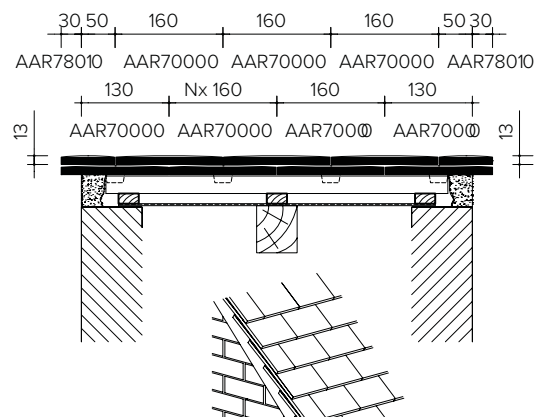
Cross-section roof at height of prince 1400 mortared



Cross-section roof at the height of 1800 mortared



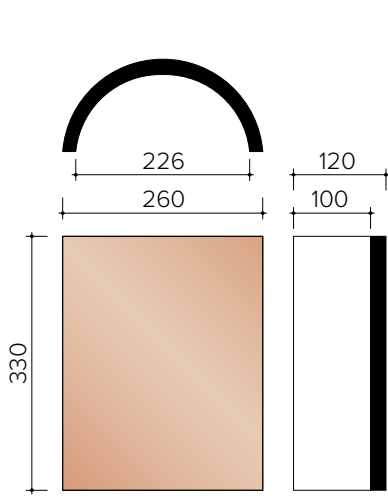
Cross-side roof at height panels



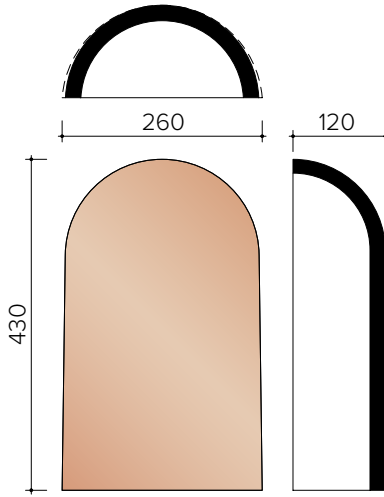
Cross-section roof at the height of facade with tiles

* The distance depends on the roof pitch and the section of counter battens and tile battens and must be determined on site.
 * Tip: the tiles must not be placed against each other (± 1 mm distance), to avoid damage to the tiles due to the setting of the supporting structure.

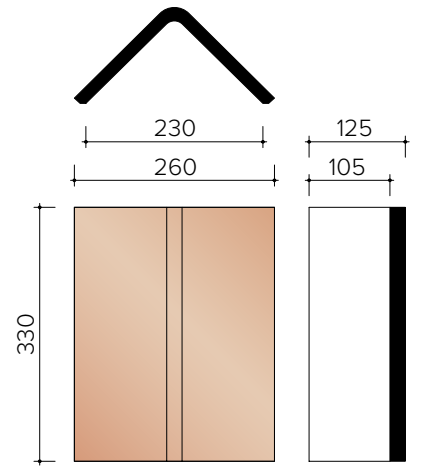
TECHNICAL INFORMATION - MONARCHS



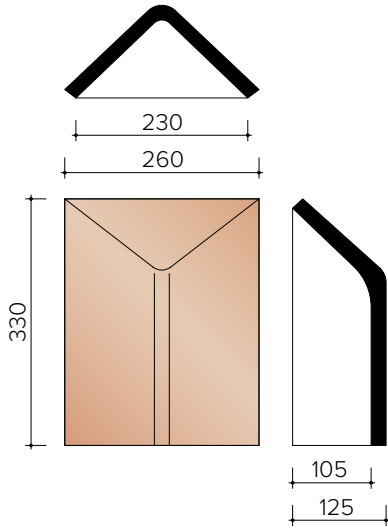
A0001400
3 pieces/ Lm Semicircular frost



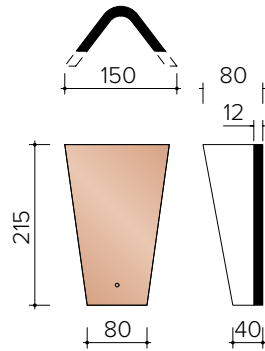
A0001420
Semicircular initial and final frost with head



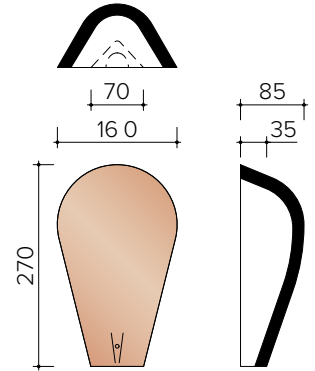
A0001800
3 pieces /Lm Angular Frost



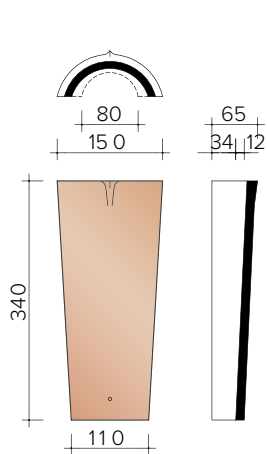
A0001810
Angular start and end frost with slanted head



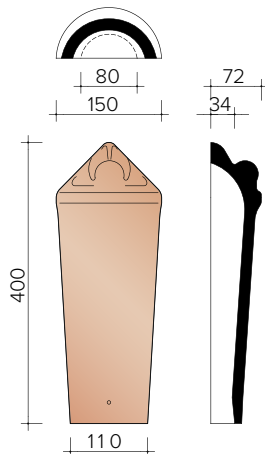
A0003700
10 pieces/lm Small angular north



A0003710
Small Angular Beginning North

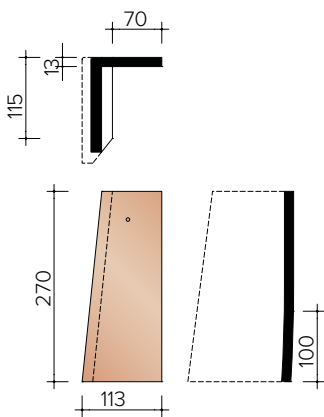


A0003800
3.5 pieces/Lm Semicircular North

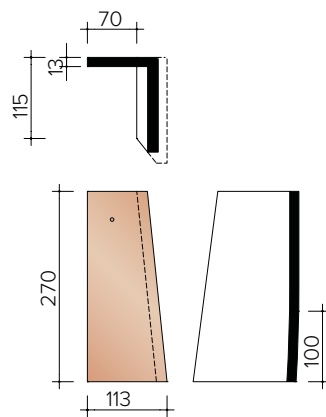


A0003810
Semicircular starting north

TECHNICAL INFORMATION - CLADDING TILES

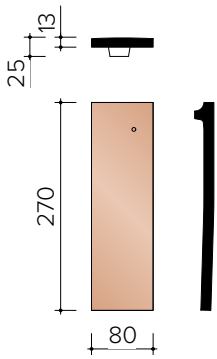


AAR77080
5 pieces/Lm Left facade tile

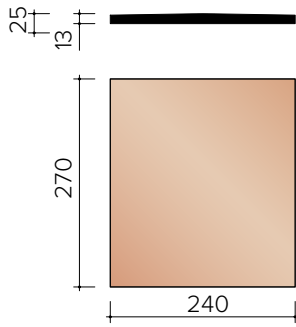


AAR77090
5 pieces/Lm Right facade tile

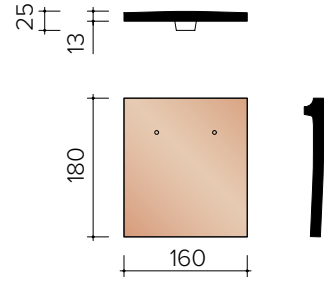
TECHNICAL INFORMATION - OTHER ACCESSORIES



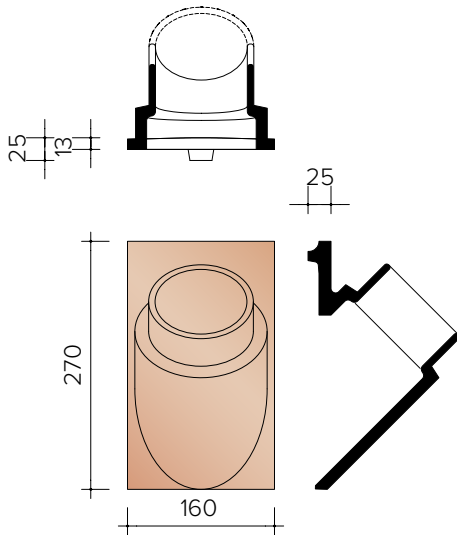
AAR78010
5 pieces/Lm Half pan



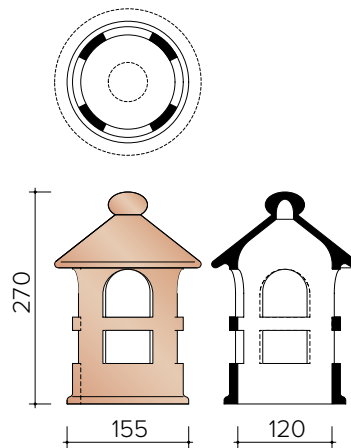
AAR78020
One and a half pan



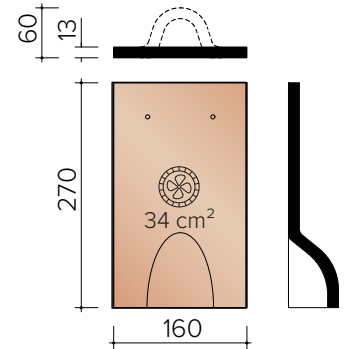
AAR78110
6.3 pieces/Lm Short pan



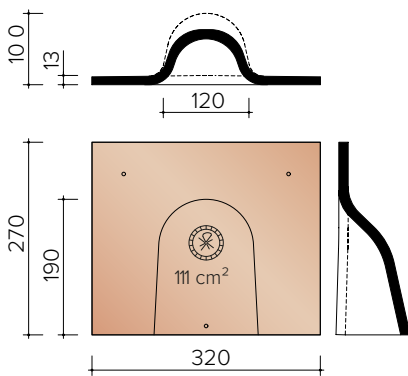
AAR78720
Kokerpan Ø 100 mm



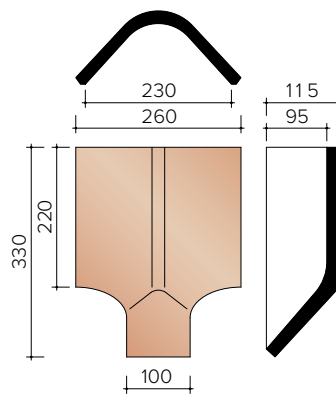
AAR78730
Cap for kokerpan Ø 100 mm



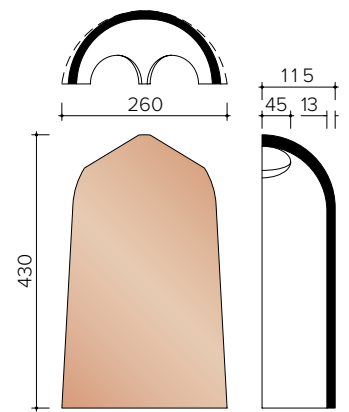
AAR78954
Ventilation pan - 34cm²



AAR78610
Ventilation pan without grille - 111 cm²



A0005800
Connector between 1 frost 1800 and 2 north 3700



A0005880
Connector between 1 frost 1400 and 2 north 3700/3800



LOHAS

Australia

