

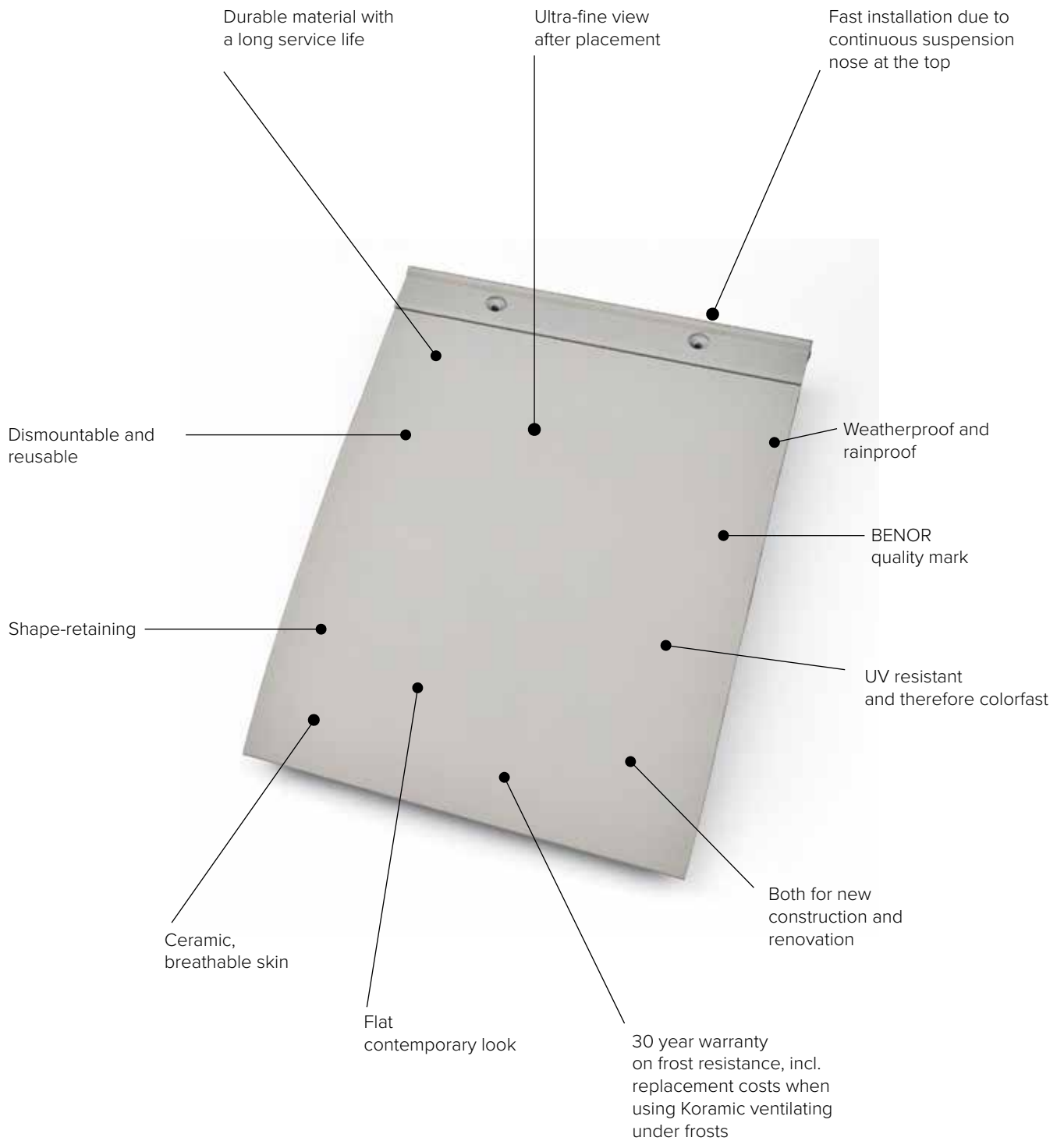
ELFINO ROOF TILES



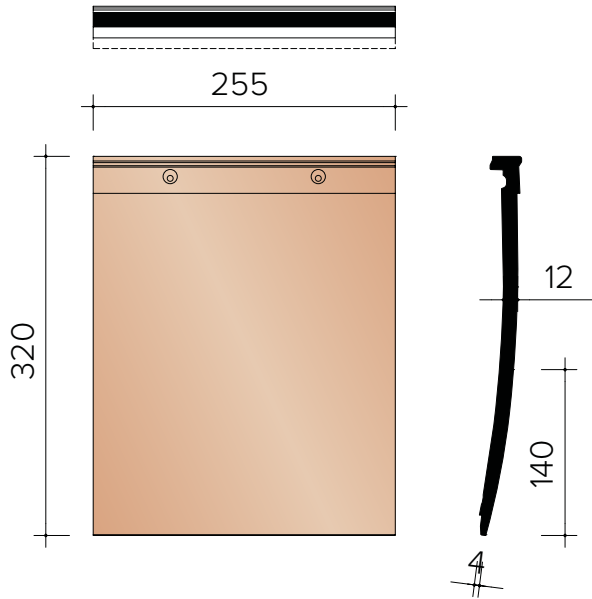
LOHAS

Australia

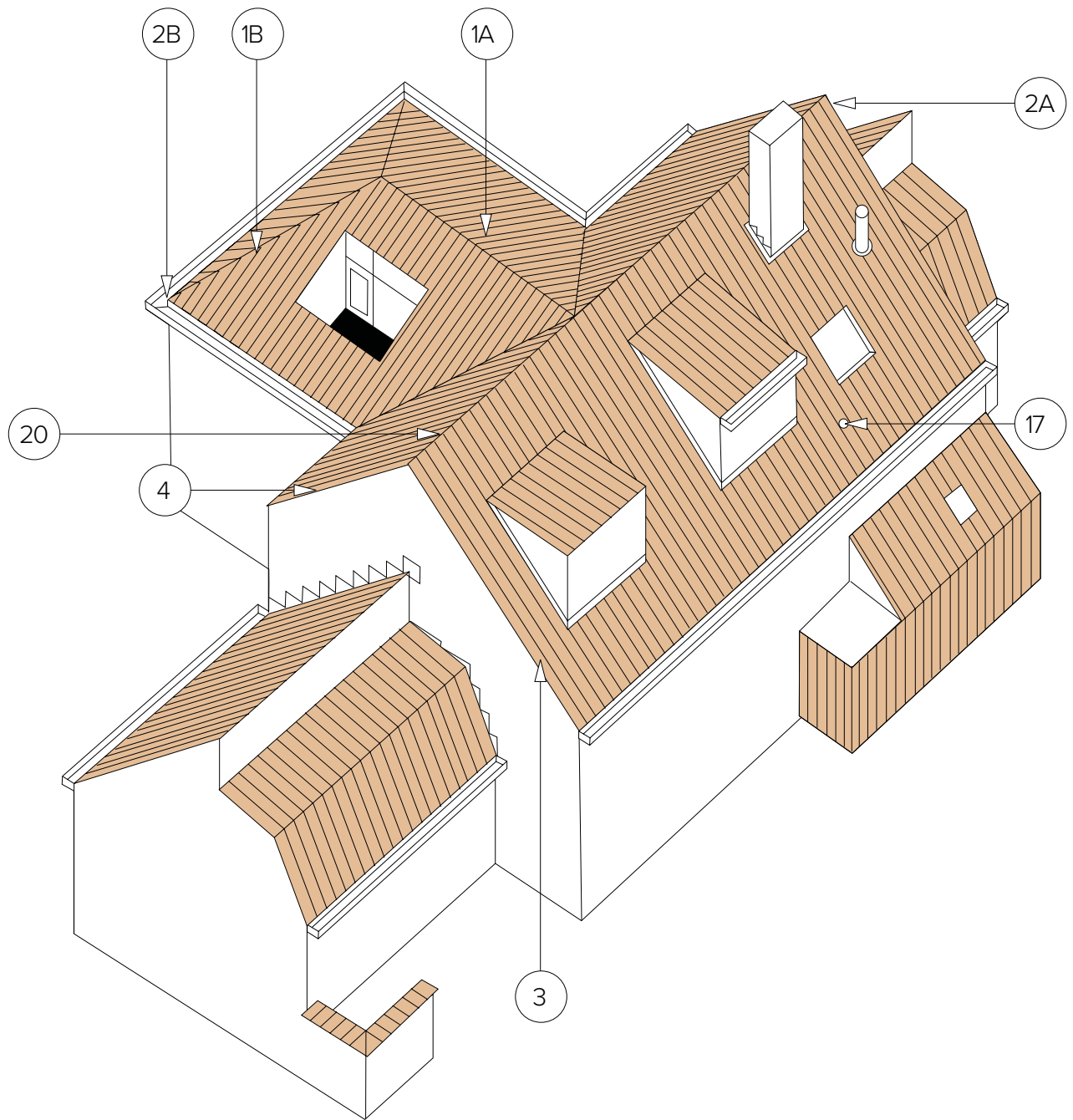




TECHNICAL INFORMATION



Definition:	Flat drawn clay tile with continuous bonding rib
Min. roof slope with shelter - Fleece of Fleece Plus: - Fleece Plus: - Fleece Premium:	35° at a batten distance of 140 mm 25° to 35° with a batten spacing of 130 mm 15°, with a batten spacing of 140 mm and subject to observance of the instructions in the Façade and Underroof Foils brochure.
Useful length (bar spacing):	± 140 mm ± 130 mm
Useful width:	± 255 mm
Number of pieces/m ² :	± 28 pieces at batten distance of 140 mm ± 30,2 pieces at batten distance of 130 mm
Unit weight:	± 2,18 kg
Weight per m ² :	± 61,0 kg at batten distance of 140 mm ± 65,8 kg at batten distance of 130 mm
Breaking load:	> 900 N
Impermeability:	≤ 0,5 cm ³ /cm ² .d
Frost resistance:	Frost resistance [EN 539-2]
Placement:	Crosswise



1A Frost	2801
	2802
1B North Tree	3701
2A Headplate	2841
	2842
2B Beginning North Tree	3711
3 Left half facade tile	7120
4 Right half facade tile	7130
17 Ventilation pan kit	8611
20 Short pan	8110



COLOUR RANGE

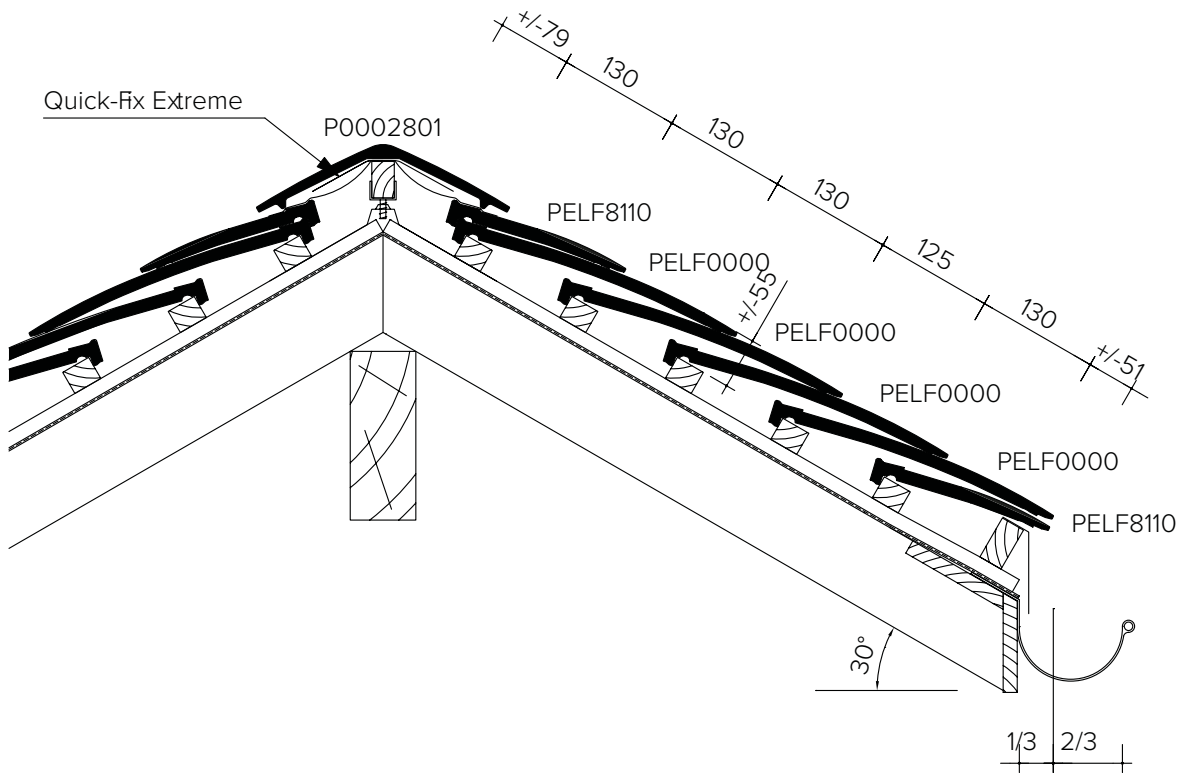


Agate Grey

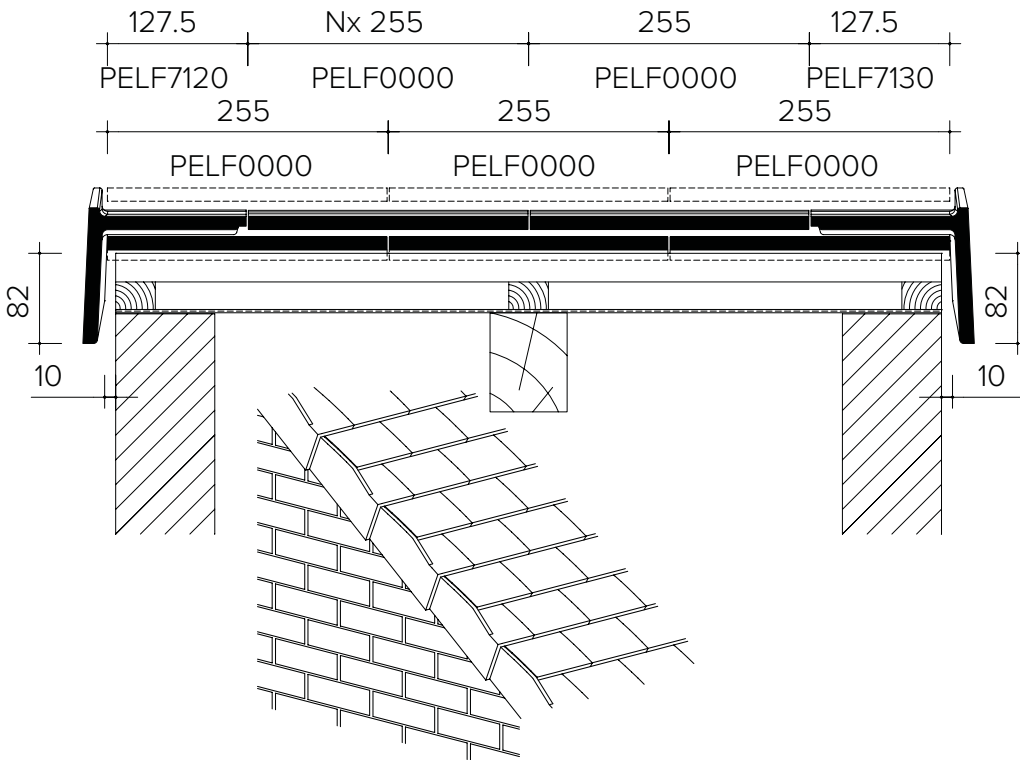


Anthracite Matte

TECHNICAL INFORMATION - LAYING PLANS

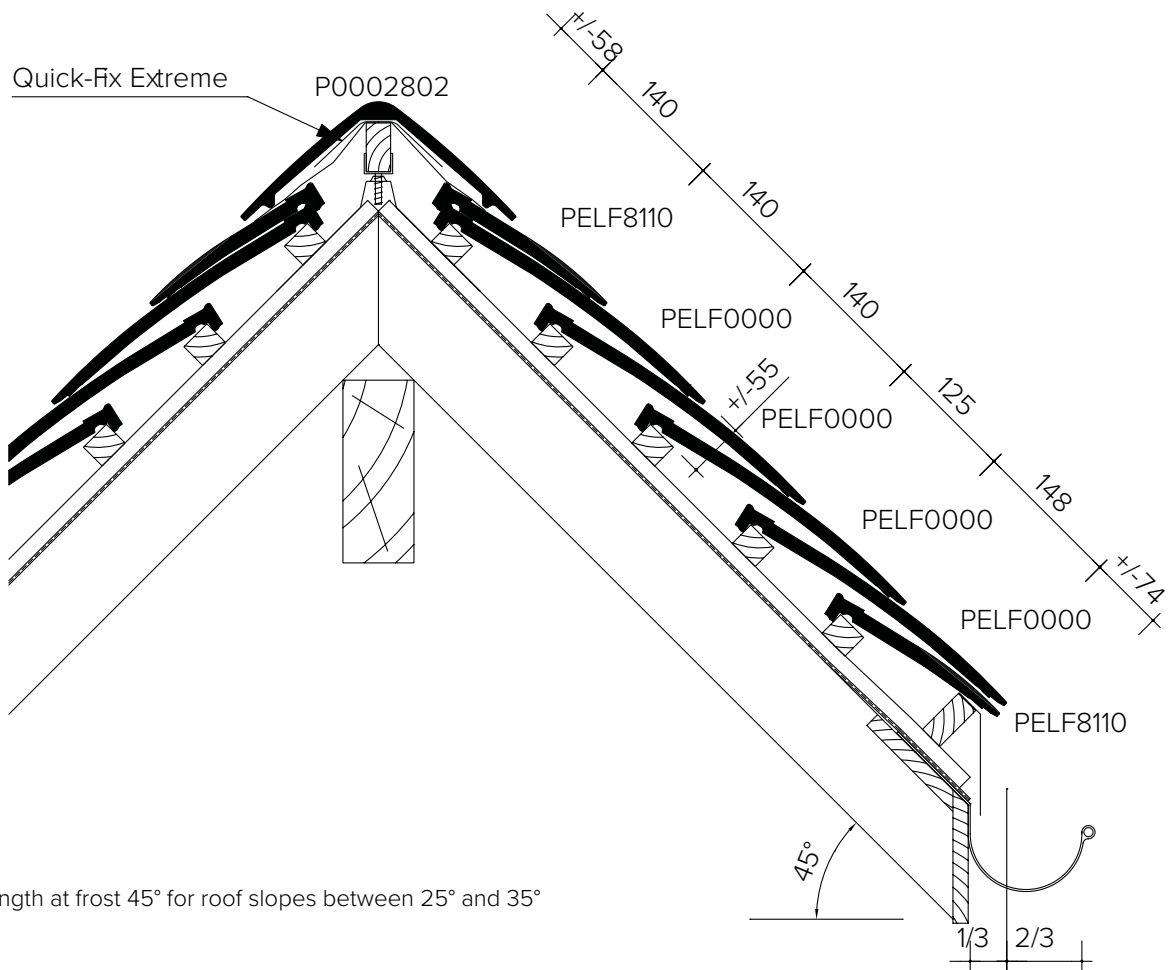


Roof length at frost 30° for roof slopes between 25° and 35°

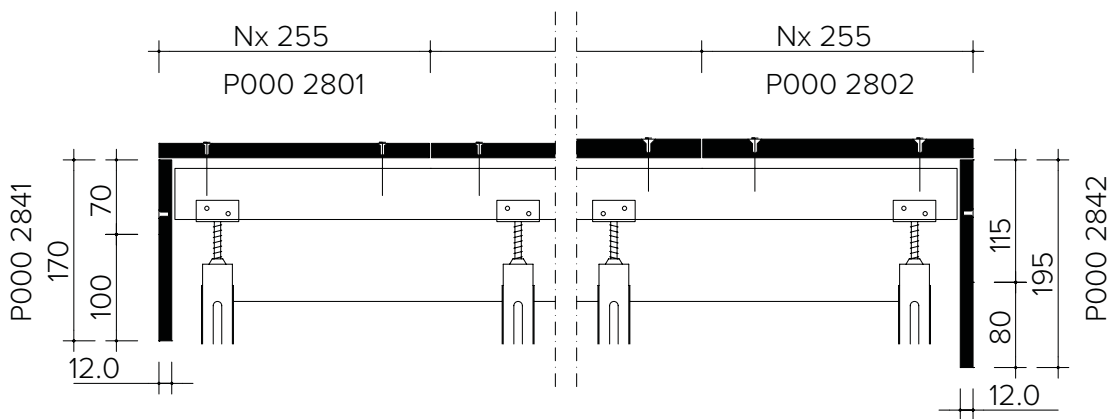


Cross-Section roof at the height of facade tiles

TECHNICAL INFORMATION - LAYING PLANS

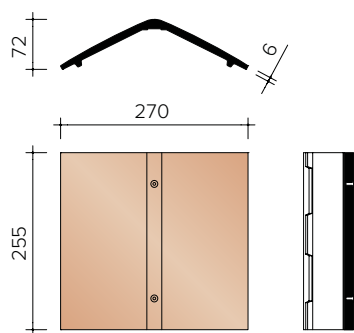


Roof length at frost 45° for roof slopes between 25° and 35°

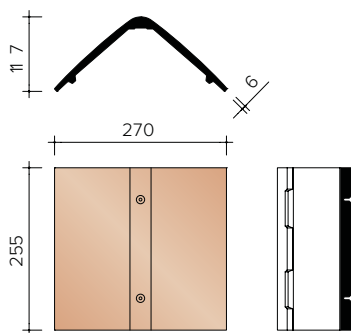


Cross-Section roof at the height of frost 30° and frost 45°

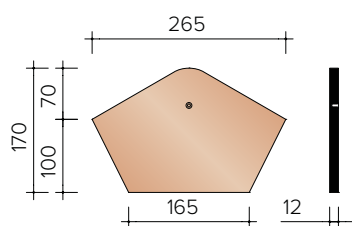
TECHNICAL INFORMATION - MONARCHS



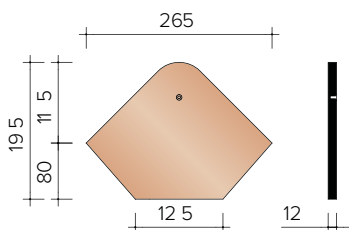
POOO2801
4 pieces/Lm
Angular frost without closure 30°



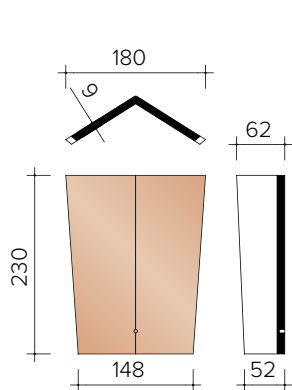
POOO2802
4 pieces/Lm
Angular frost without closure 45°



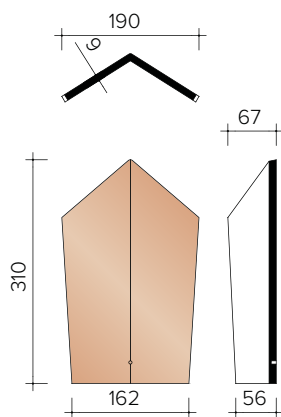
POOO2841
Head plate for angular frost
without closure 30°



POOO2842
Head plate for angular frost
without closure 45°

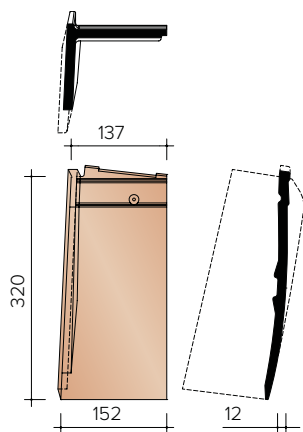


POOO370
6 pieces/Lm
Small angular north tree

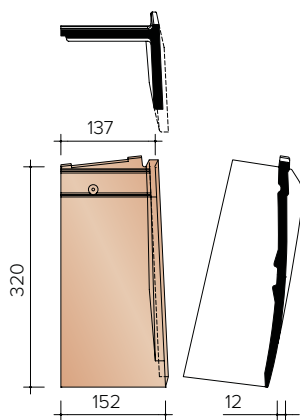


POOO3711
Small Angular Beginning North Tree

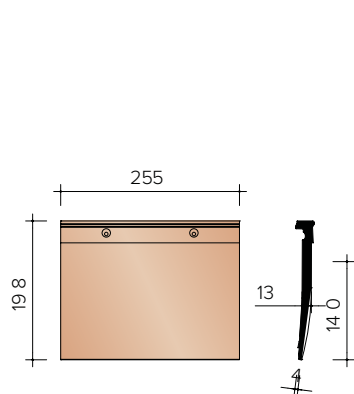
TECHNICAL INFORMATION - CLADDING TILES AND OTHER ACCESSORIES



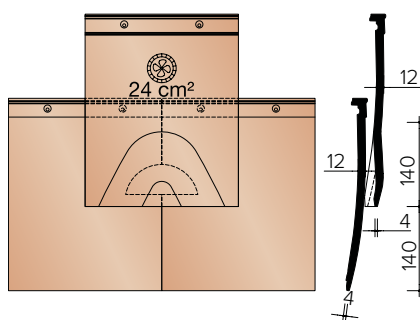
PELF7120
3.6 pieces/Lm
Special left half facade tile



PELF7130
3.6 pieces/Lm
Special right half facade tile



PRUST8110
4 pieces/Lm
Short Pan



PRUST8611
Kit ventilation pan with grid - 24
cm²



LOHAS

Australia

