

# FLEMISH PAN 401 ROOF TILES

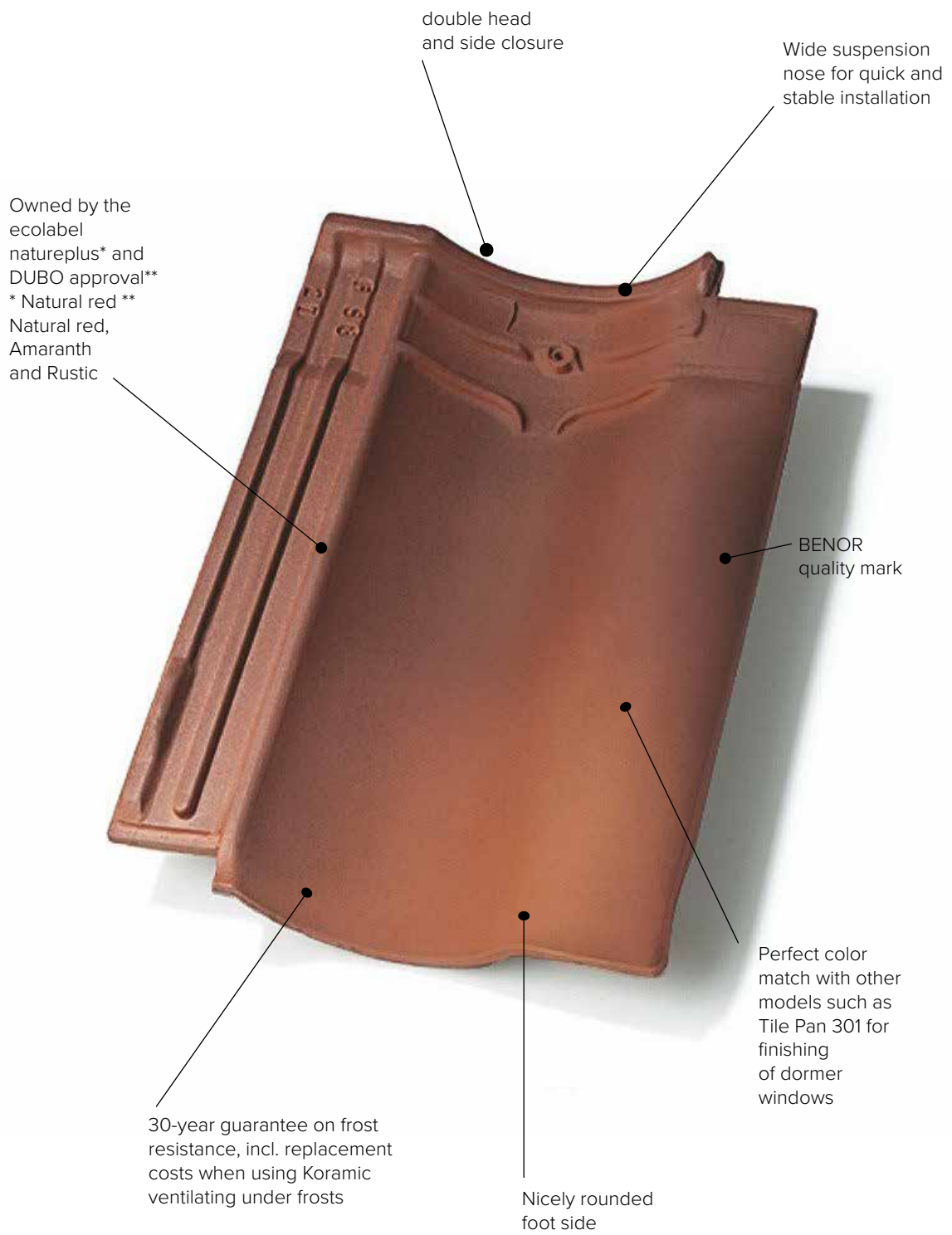


# LOHAS

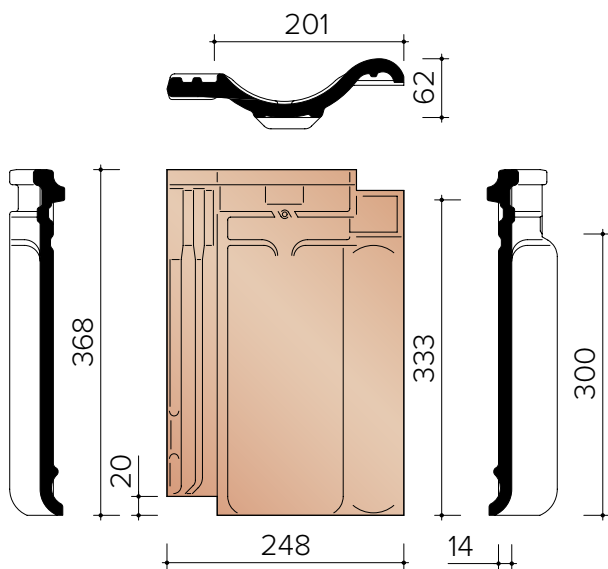
Australia



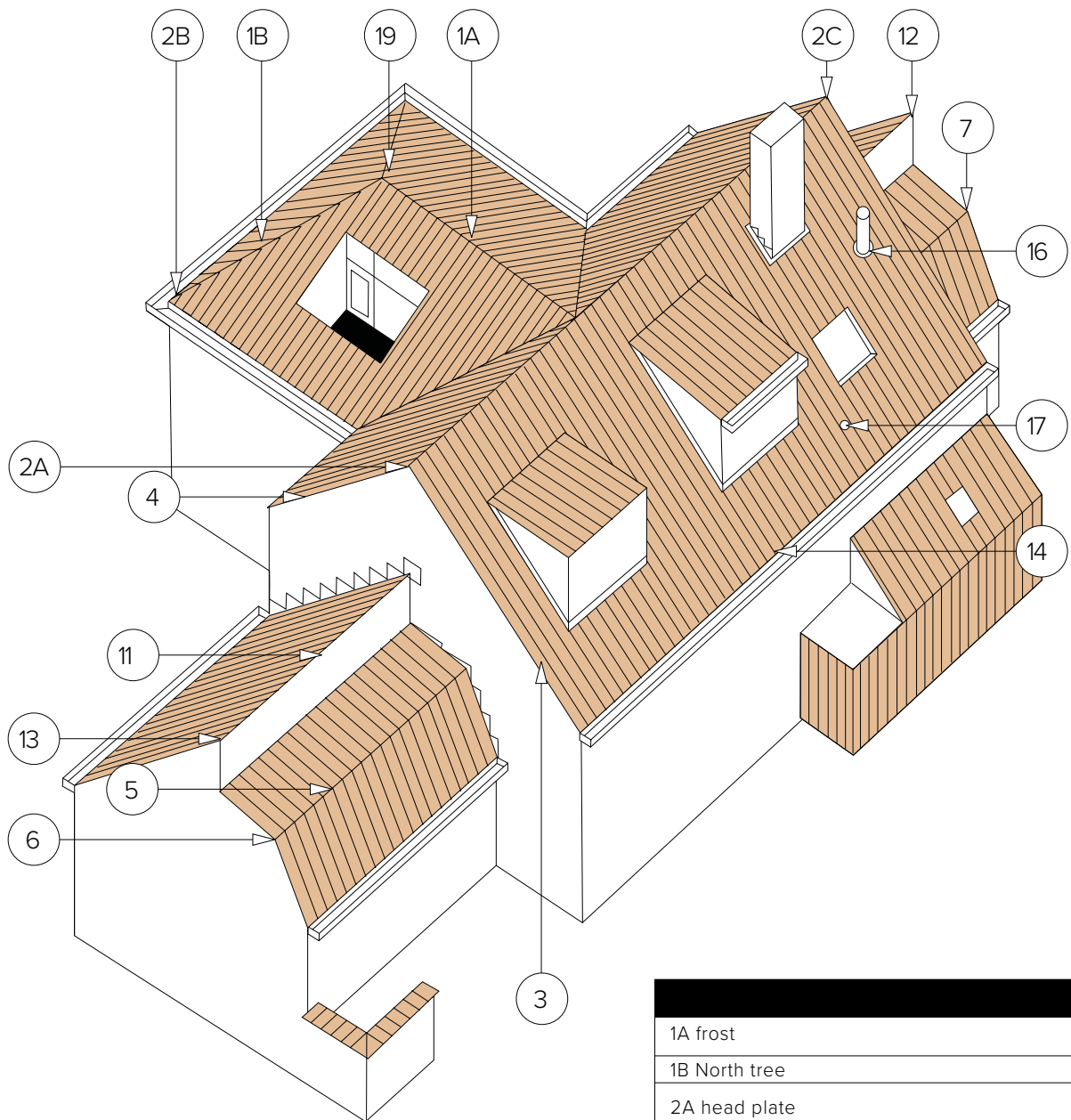
Flemish Pan 401 Amaranth



## TECHNICAL INFORMATION



Definition:	Hollow clay roof tile with double side closure and double head closure.
Min. roof slope with shelter - Fleece of Fleece Plus: - Fleece Premium:	22° 15°, subject to observance of the instructions in the Façade and underroof films brochure.
Useful length (bar spacing):	± 300 mm
Useful width:	± 201 mm
Number of pieces/m <sup>2</sup> :	± 16.6
Unit weight:	± 2.55 kg
Weight per m <sup>2</sup> :	± 42.3 kg
Breaking load:	> 1200 N
Impermeability:	≤ 0,5 cm <sup>3</sup> /cm <sup>2</sup> .d
Frost resistance:	Frost resistance
Placement:	Straight



1A frost	1200
1B North tree	1200
2A head plate	1240
2C early frost	1230
2B Beginning North Tree	1260
3 Left facade tile	7080
Pan with double well	8050
4 Right facade tile	7090
5 Articulated pan	8200
three-quarter pan	8230
6 Left gable hinged tile	7280
Kink pan with double well	8250
7 Right gable tile	7290
11 hook frost	8500
12 Left gable hook frost	7580
13 Right gable hook frost	7590
14 3/4 pan	8030
16 Kit cooker + cap	8741
17 Ventilation pan	8640
19 prince hat	5500



1



2



3



- 1. Anthracite 736
- 2. Rustic 872
- 3. Black Glazed 738

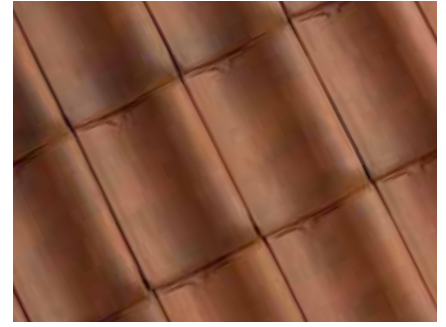
## COLOUR RANGE



Natural Red 600



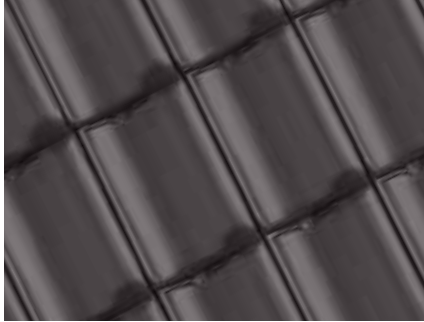
Amaranth 848



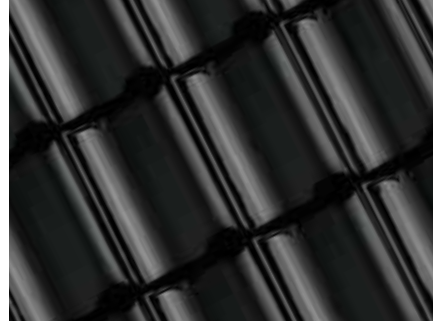
Rustic 872



Anthracite 736



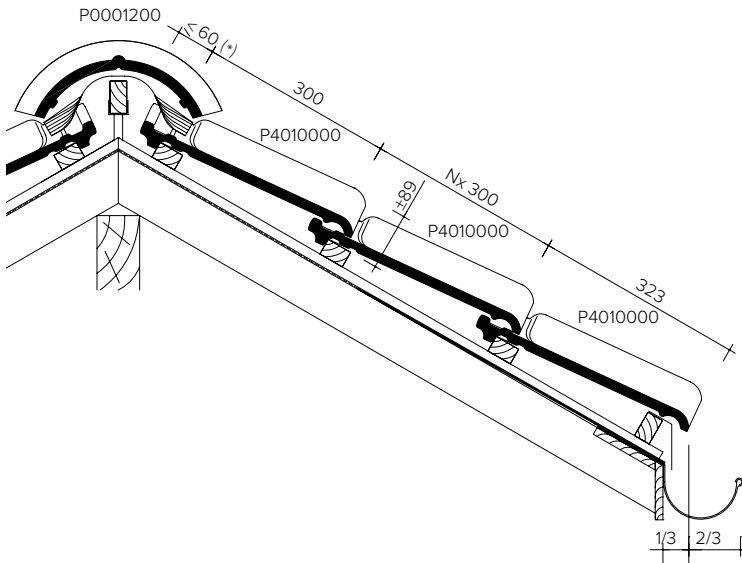
Slate Colour Matte Glazed 705



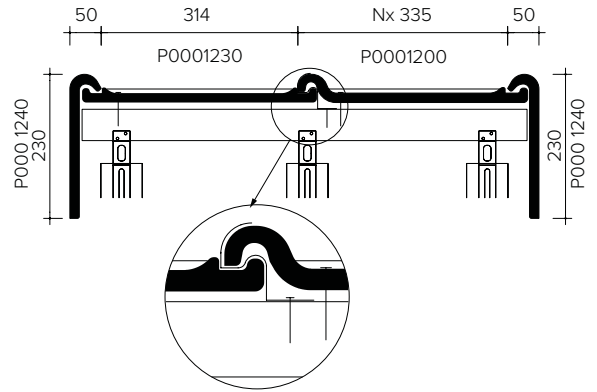
Black Glazed

**TECHNICAL INFORMATION - LAYING PLANS**

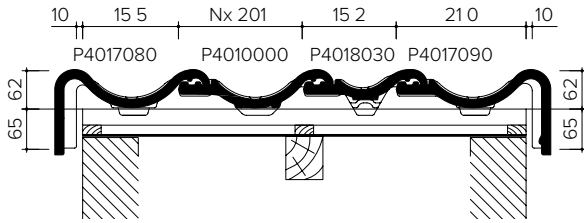
Length-Section roof at frost 1200



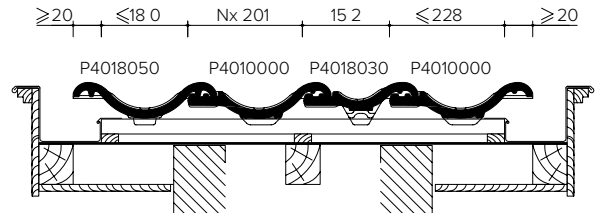
Cross-Section roof at frost 1200



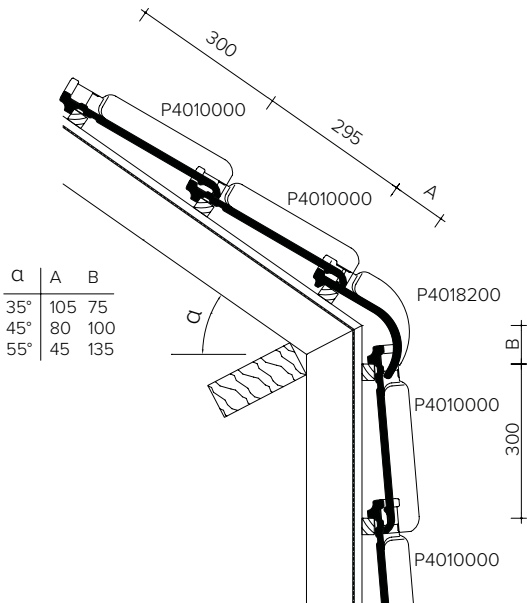
Cross-Section roof at the height of facade tiles



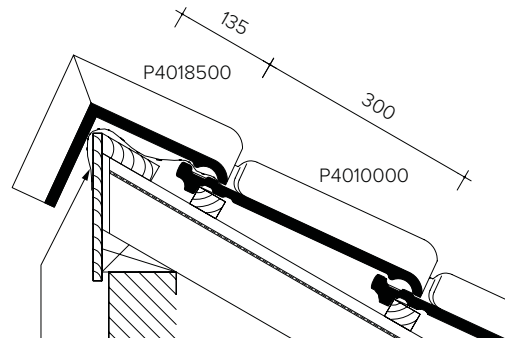
Cross-Section roof with double wel pan



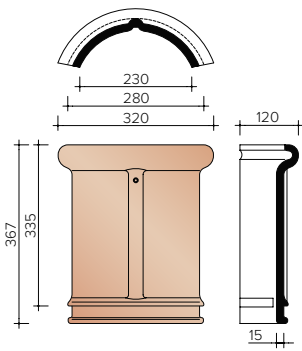
Length-section roof at the height of knikpan



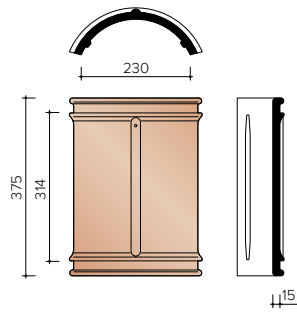
Length-section roof at hook frost



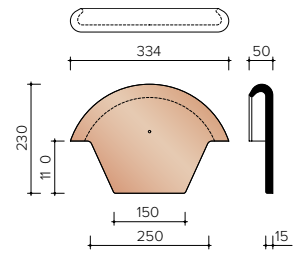
**TECHNICAL INFORMATION - MONARCHS AND NORTHERN TREES**



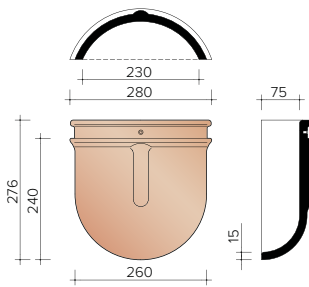
**P0001200**  
 3 pieces/Lm  
 Semicircular frost/northern tree -  
 230 mm



**P0001230**  
 Semicircular initial frost without  
 head plate - 230mm



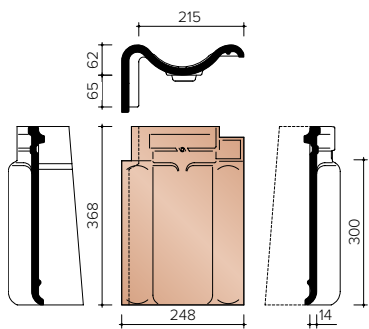
**P0001240**  
 Head plate - 230 mm



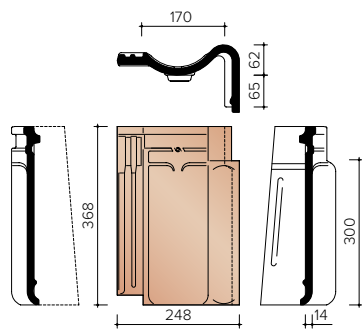
**P0001260**  
 Semicircular North Pole - 230 mm  
 Half Round North Pole - 230 mm



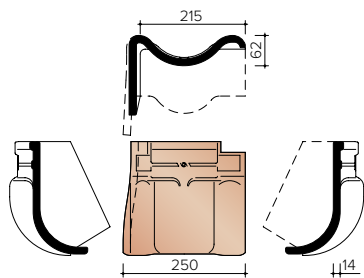
**TECHNICAL INFORMATION - CLADDING TILES**



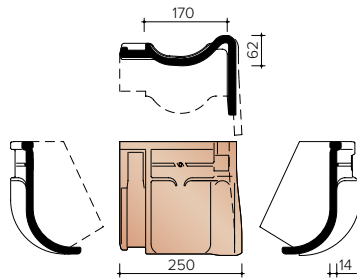
**P4017080**  
3.4 pieces/Lm  
Left facade tile



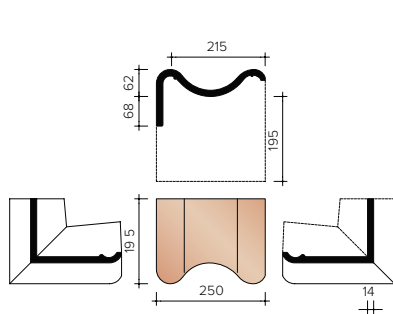
**P4017090**  
3.4 pieces/Lm  
Right facade tile



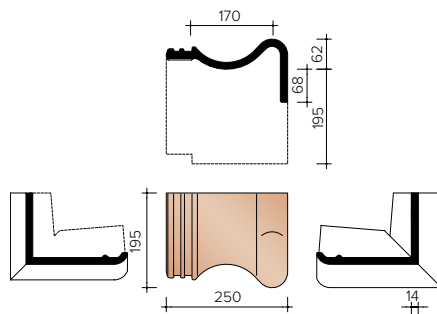
**P4017280**  
Left gable hinged tile



**P4017290**  
Right facade hinged pan

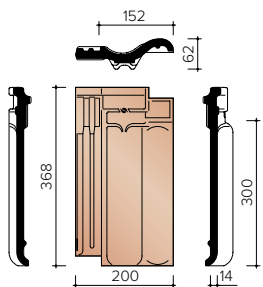


**P4017580**  
Left gable hook frost (Glued)

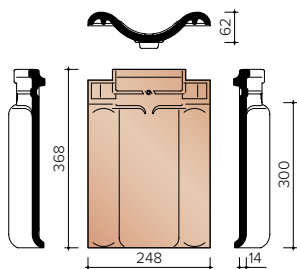


**P4017590**  
Right gable hook frost (Glued)

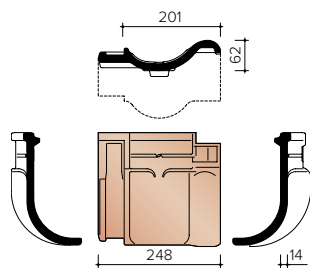
**TECHNICAL INFORMATION - OTHER ACCESSORIES**



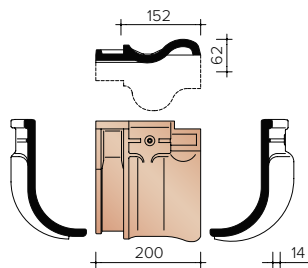
**P4018030**  
3.4 pieces/Lm  
3/4 Pan



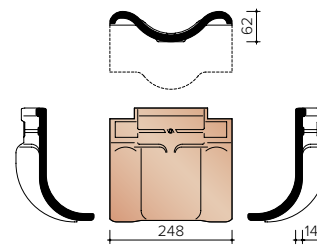
**P4018050**  
3.4 pieces/Lm  
Pan with double well



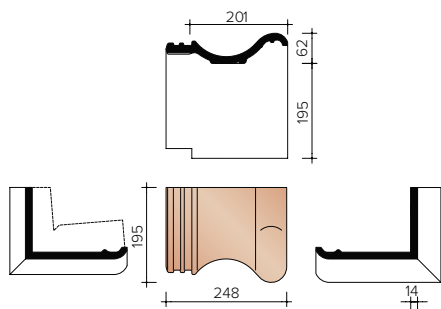
**P4018200**  
5 pieces/Lm  
Articulated pan



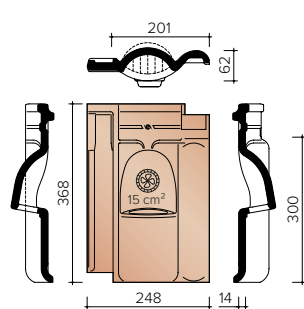
**P4018230**  
Three-quarter pan



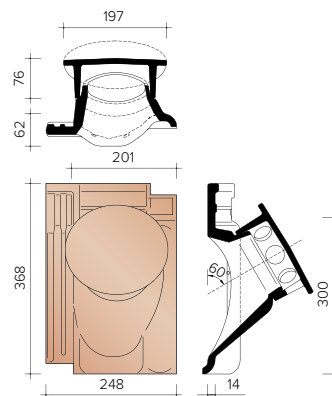
**P4018250**  
Articulated pan with double well



**P4018500**  
5 pieces/Lm  
Hook frost (Glued)

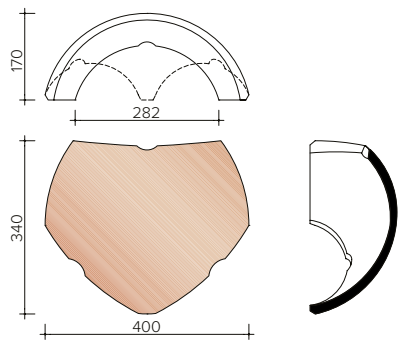


**P4018640**  
Ventilation pan with grid in plastic  
- 15 cm<sup>2</sup>

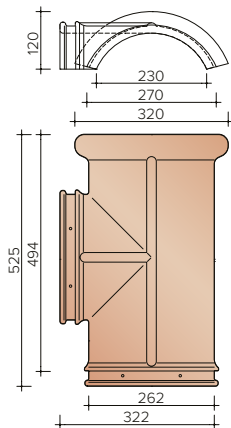


**P4018741**  
Kit cooker pan Ø 100 mm + cap  
(95 cm<sup>2</sup>) + connection module +  
gear unit piece

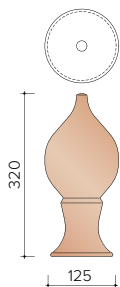
**TECHNICAL INFORMATION - OTHER ACCESSORIES**



**P0005500**  
Frost hat between 1 frost 1200  
and 2 princes 1200 as north tree



**P0005020**  
Connection piece between 3 kings 1200



**P0005930**  
Piron No. 4



LOHAS

Australia



**Wienerberger**