

LOHAS

AUSTRALIA

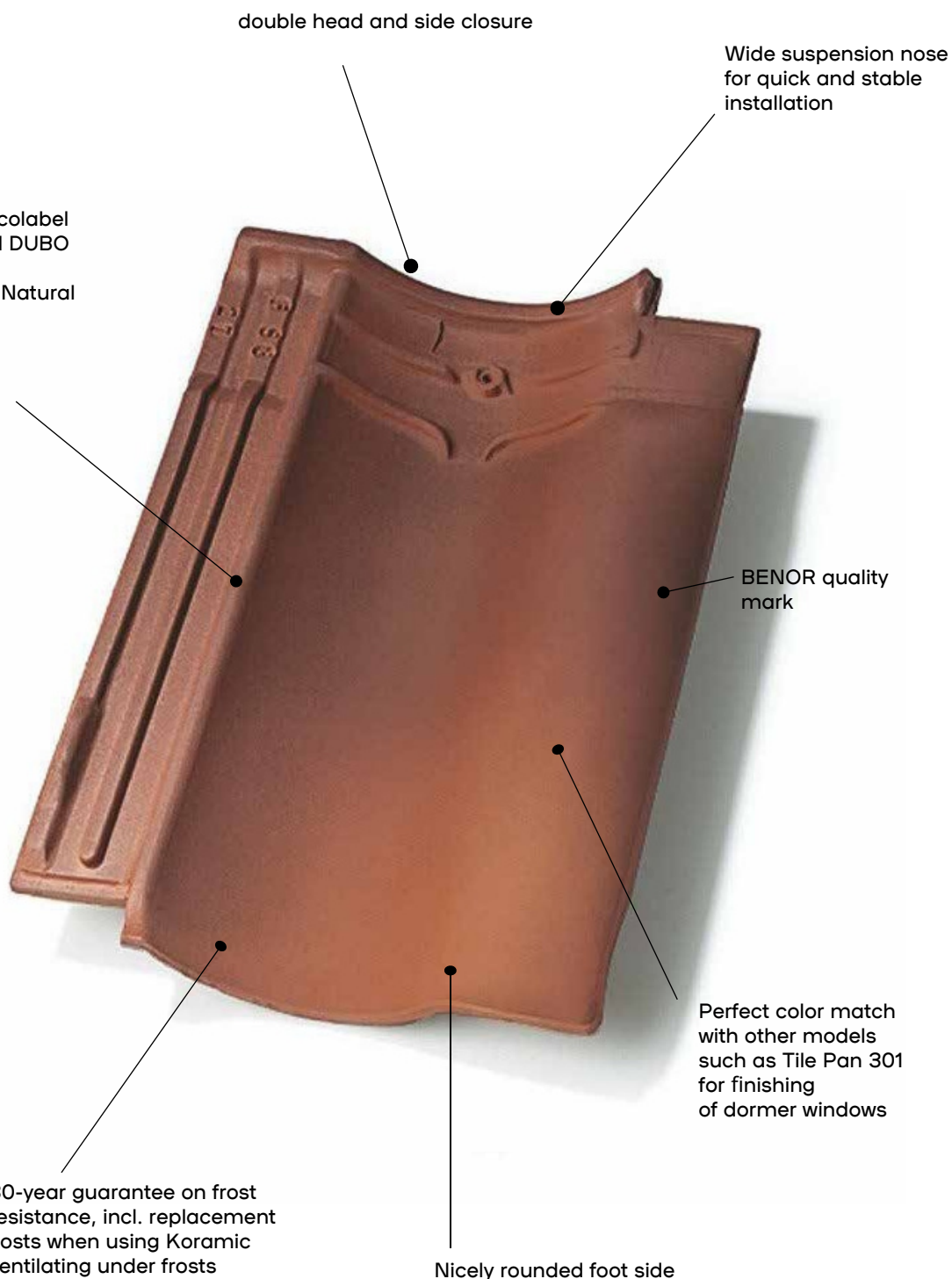
ROOF TILE COLLECTION

FRENCH FLEMISH ROOF TILES SPEC GUIDE

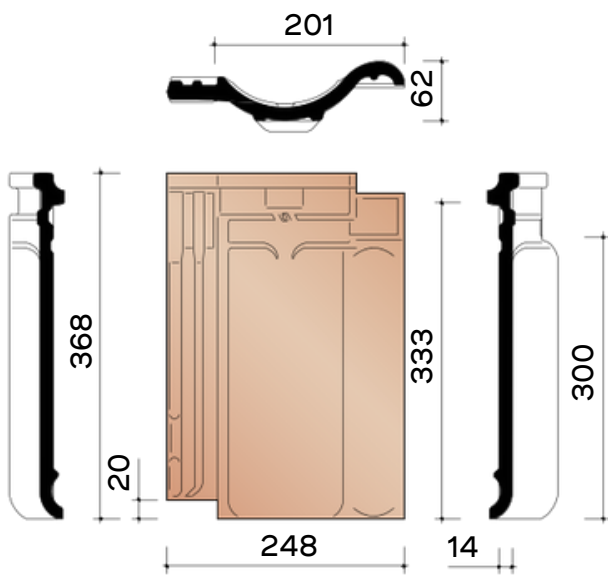
LOHASAU.COM

Flemish Pan 401 Amarant

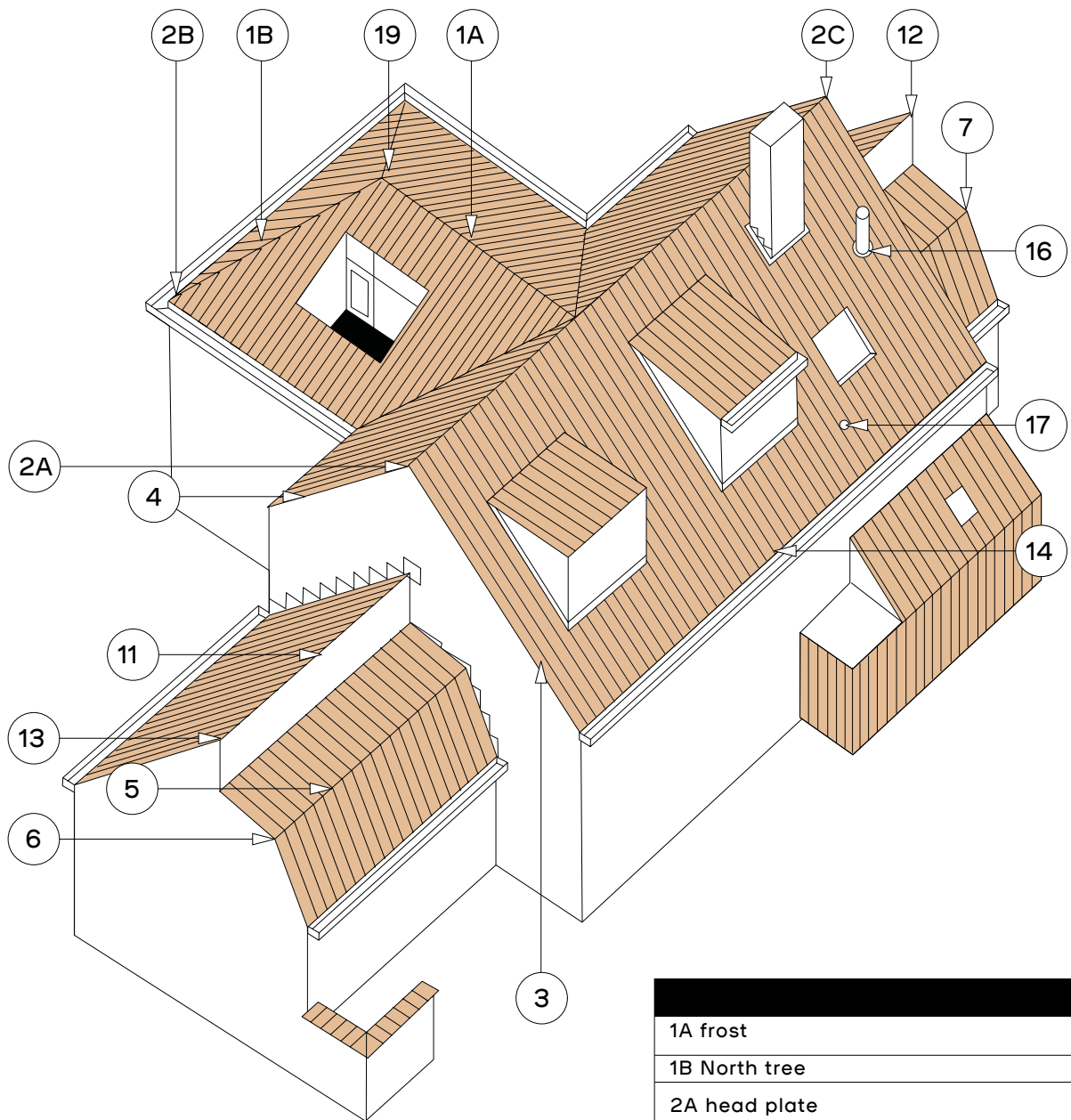
Owned by the ecolabel natureplus* and DUBO approval**
* Natural red ** Natural red, Amaranth and Rustic



TECHNICAL INFORMATION



Definition:	Hollow clay roof tile with double side closure and double head closure.
Min. roof slope with shelter - Fleece of Fleece Plus: - Fleece Premium:	22° 15°, subject to observance of the instructions in the Façade and underroof films brochure.
Useful length (bar spacing):	± 300 mm
Useful width:	± 201 mm
Number of pieces/m ² :	± 16.6
Unit weight:	± 2.55 kg
Weight per m ² :	± 42.3 kg
Breaking load:	> 1200 N
Impermeability:	≤ 0,5 cm ³ /cm ² .d
Frost resistance:	Frost resistance
Placement:	Straight



1A frost	1200
1B North tree	1200
2A head plate	1240
2C early frost	1230
2B Beginning North Tree	1260
3 Left facade tile	7080
Pan with double well	8050
4 Right facade tile	7090
5 Articulated pan	8200
three-quarter pan	8230
6 Left gable hinged tile	7280
Kink pan with double well	8250
7 Right gable tile	7290
11 hook frost	8500
12 Left gable hook frost	7580
13 Right gable hook frost	7590
14 3/4 pan	8030
16 Kit cooker + cap	8741
17 Ventilation pan	8640
19 prince hat	5500

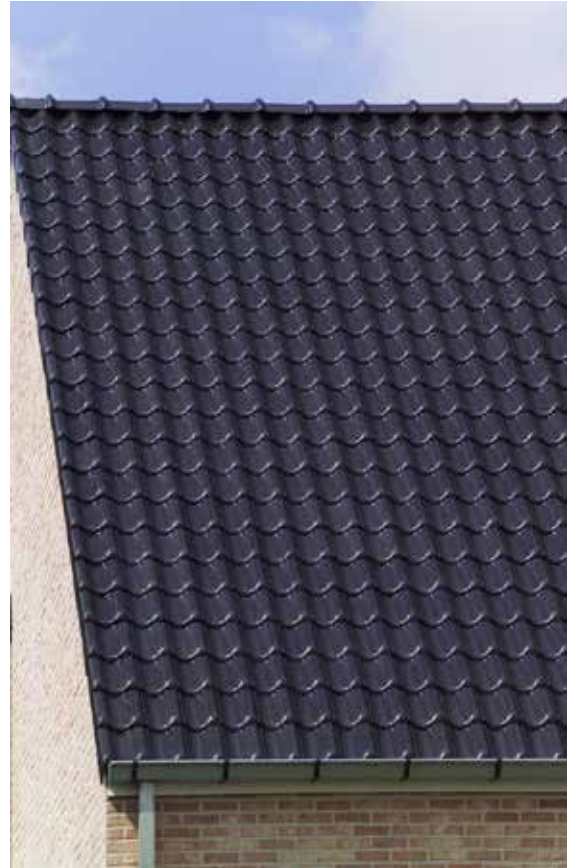
1



2



3



1. Anthracite
2. Rustic
3. Black Glazed

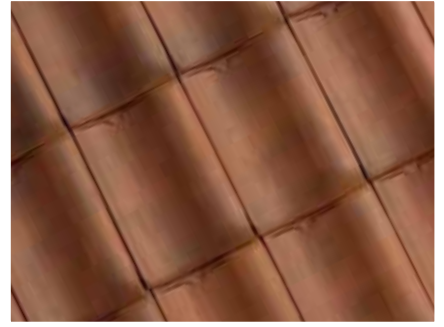
COLOUR RANGE



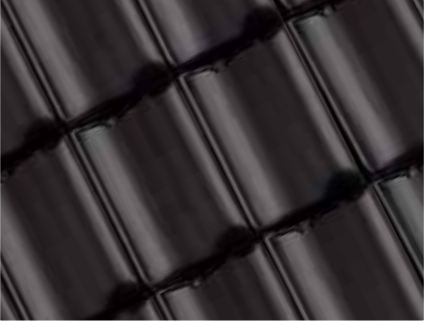
Natural Red



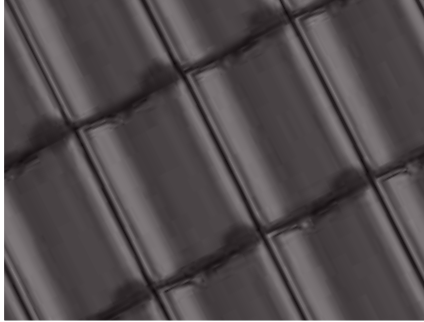
Amarant



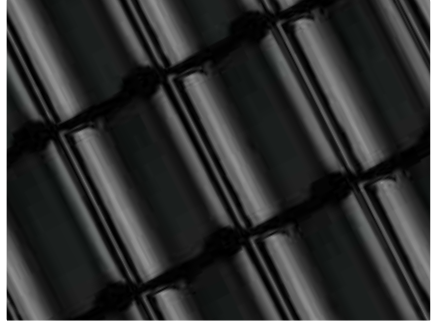
Rustic



Anthracite



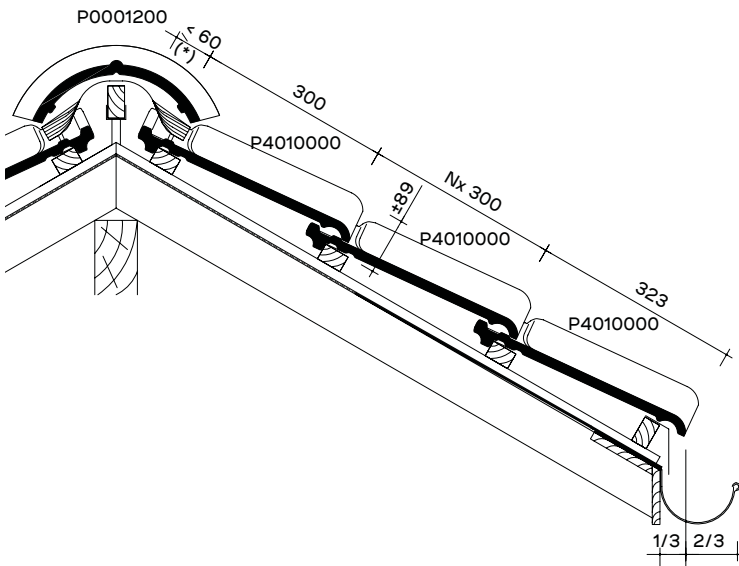
Slate Matt Glazed



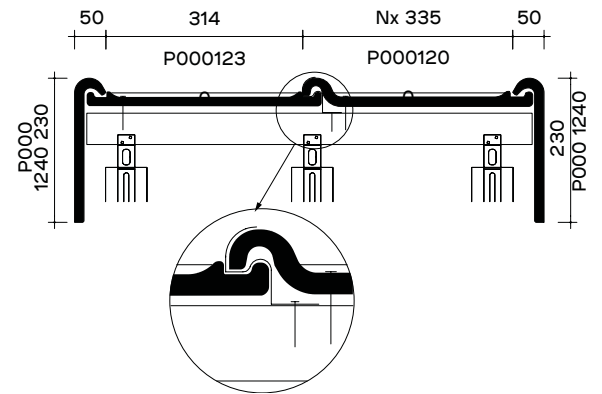
Black Glazed

TECHNICAL INFORMATION - LAYING PLANS

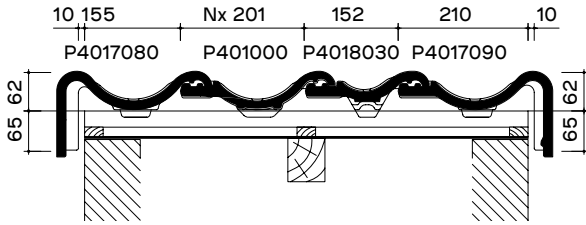
Length-Section roof at frost
1200



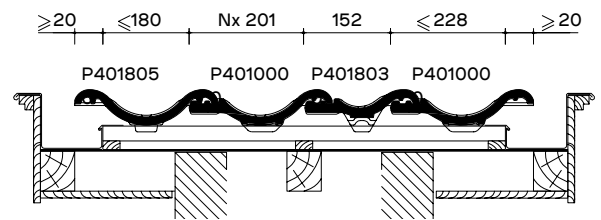
Cross-Section roof at frost
1200



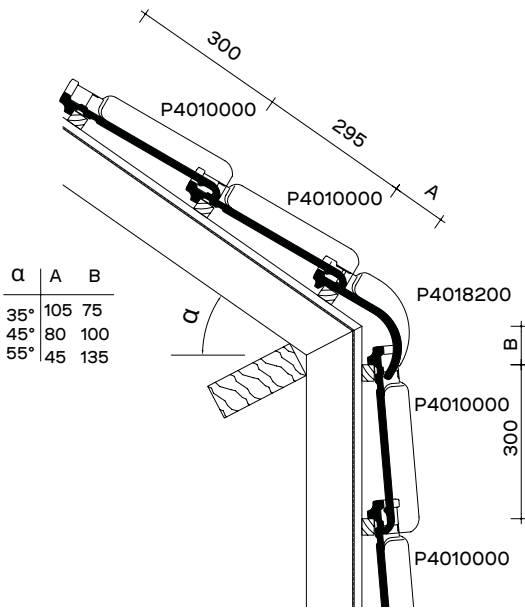
Cross-Section roof at the height of facade tiles



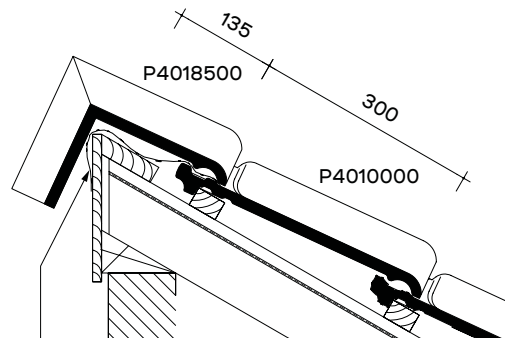
Cross-Section roof with double wel pan



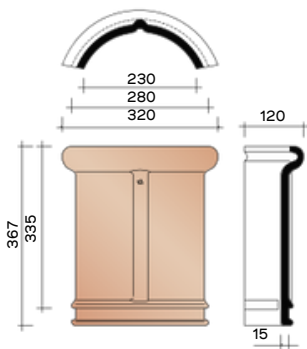
Length-section roof at the height of knikpan



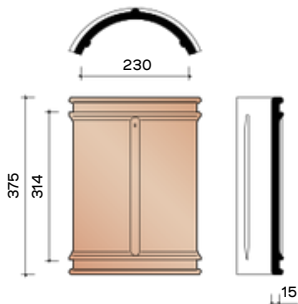
Length-section roof at hook frost



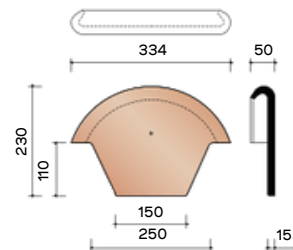
TECHNICAL INFORMATION - MONARCHS AND NORTHERN TREES



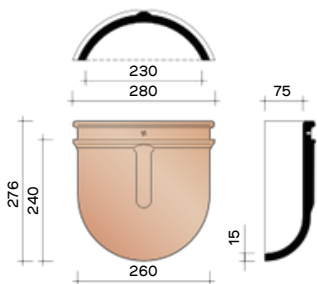
P0001200
3 pieces/Lm
Semicircular frost/northern tree
- 230 mm



P0001230
Semicircular initial frost
without head plate - 230mm

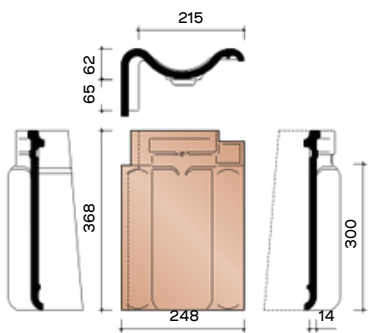


P0001240
Head plate - 230 mm

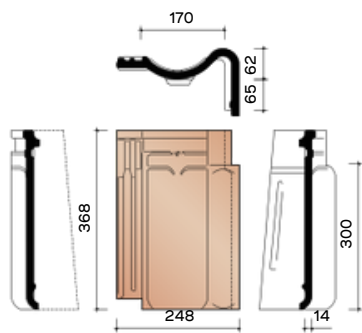


P0001260
Semicircular North Pole - 230 mm
Half Round North Pole - 230 mm

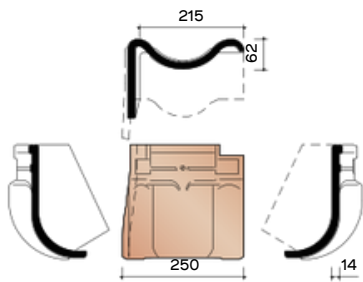
TECHNICAL INFORMATION - CLADDING TILES



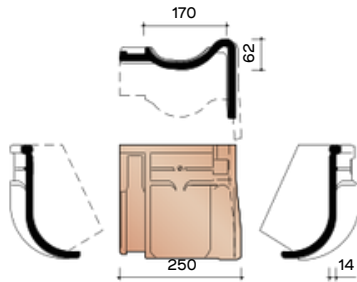
P4017080
3.4 pieces/Lm
Left facade tile



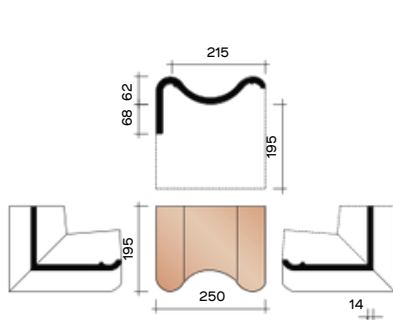
P4017090
3.4 pieces/Lm
Right facade tile



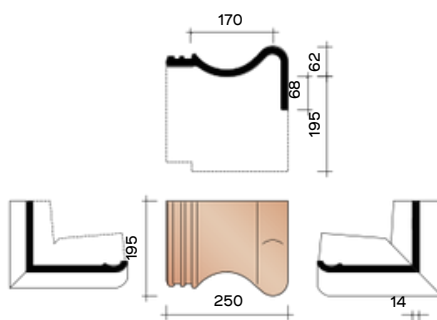
P4017280
Left gable hinged tile



P4017290
Right facade hinged pan

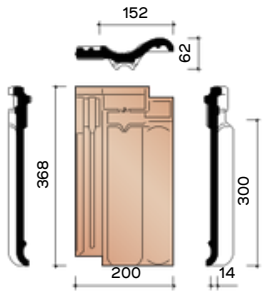


P4017580
Left gable hook frost (Glued)

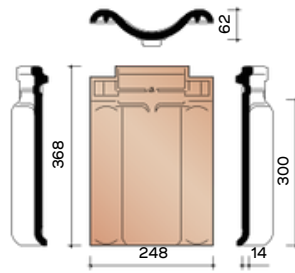


P4017590
Right gable hook frost (Glued)

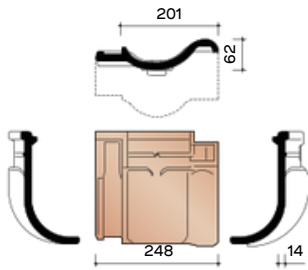
TECHNICAL INFORMATION - OTHER ACCESSORIES



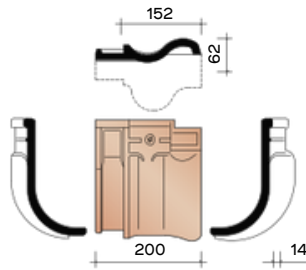
P4018030
3.4 pieces/Lm
3/4 Pan



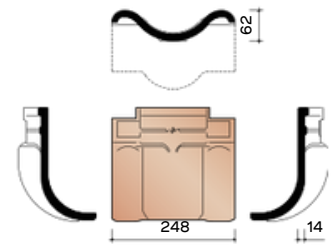
P4018050
3.4 pieces/Lm
Pan with double well



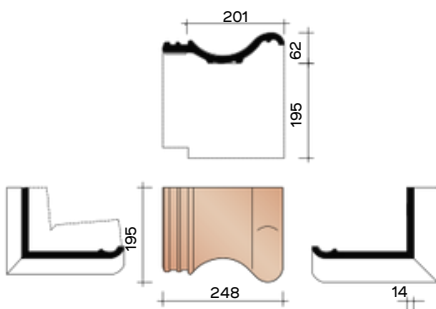
P4018200
5 pieces/Lm
Articulated pan



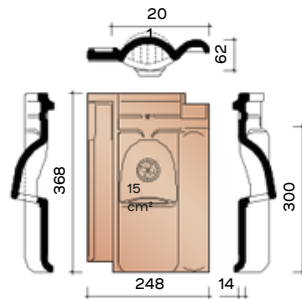
P4018230
Three-quarter pan



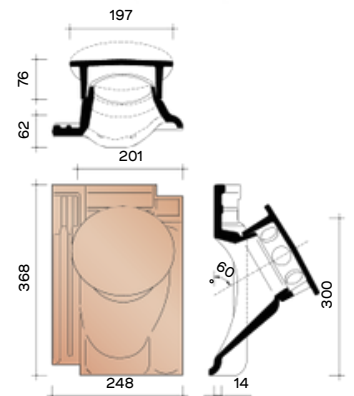
P4018250
Articulated pan with double well



P4018500
5 pieces/Lm
Hook frost (Glued)

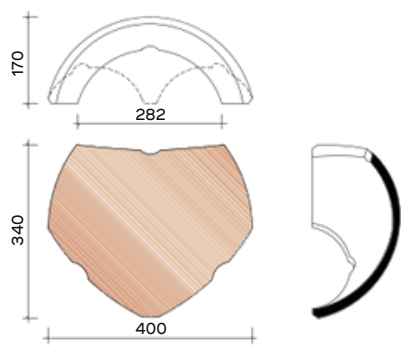


P4018640
Ventilation pan with grid in plastic - 15 cm²

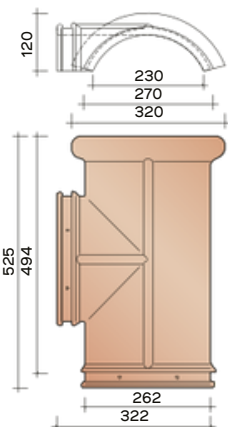


P4018741
Kit cooker pan Ø 100 mm + cap (95 cm²) + connection module + gear unit piece

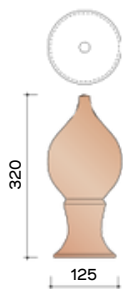
TECHNICAL INFORMATION - OTHER ACCESSORIES



P0005500
Frost hat between 1 frost 1200 and
2 princes 1200 as north tree



P0005020
Connection piece between 3 kings
1200



P0005930
Piron No. 4

LOHAS

CONTACT US

P 02 9566 2114
E info@lohasau.com

W lohasau.com
IG [@lohas_australia](https://www.instagram.com/lohas_australia)

LOHAS Australia is a proud distributor of the Wienerberger product range.

