

LOHAS

AUSTRALIA

ROOF TILE COLLECTION

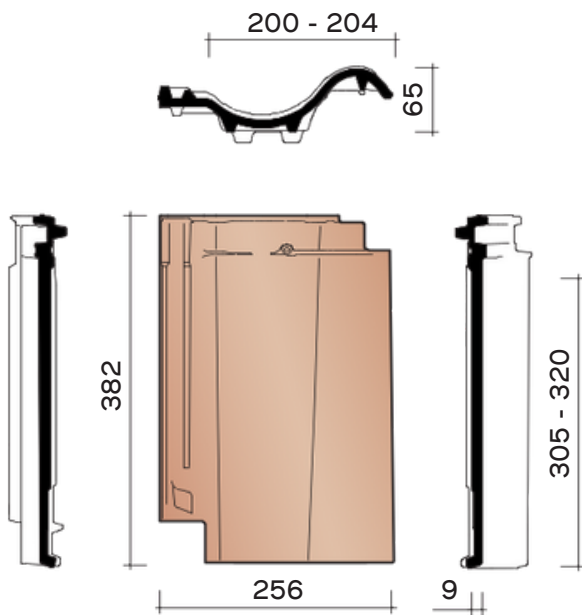
FRENCH OVH VARIO ROOF TILES SPEC GUIDE

LOHASAU.COM

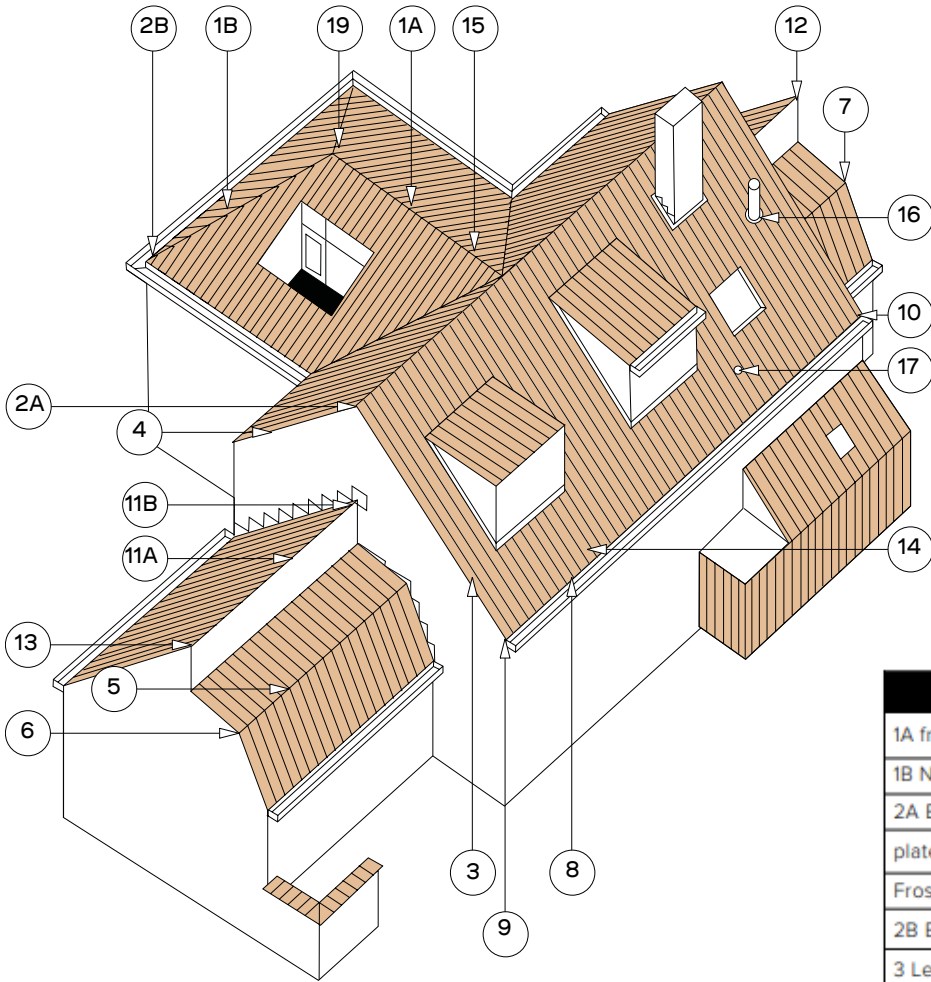
OVH Vario Natrual Red



TECHNICAL INFORMATION



| | |
|---|---|
| Definition: | Hollow clay roof tile with single side closure with overlap and single head closure with overlap. |
| Min. roof slope with shelter - Fleece of Fleece Plus: - Fleece Premium: | 25° 15°, subject to the instructions in the brochure Facade and underroof films. |
| Useful length (bar spacing): | ± 308 mm |
| Useful width: | ± 200 - 204 |
| Number of pieces/m ² : | ± 15.3, 16.4 |
| Unit weight: | ± 2.45 kg |
| Weight per m ² : | ± 339.1 kg |
| Breaking load: | > 1200 N |
| Impermeability: | ≤ 0,5 cm ³ /cm ² .d |
| Frost resistance: | Frost resistance |
| Placement: | Straight |



| | |
|---------------------------------------|------|
| 1A frost | 1200 |
| 1B North tree | 1200 |
| 2A Beginning and end frost with head | 3100 |
| plate | 1215 |
| Frost with double well | 1250 |
| 2B Beginning North Tree | 1260 |
| 3 Left facade tile | 3110 |
| Pan with double well | 7080 |
| 4 Right facade tile | 8050 |
| 5 Articulated pan | 7090 |
| 6 Left gable hinged tile | 8200 |
| Articulated pan with double well | 7280 |
| 7 Pan with curved edge | 8250 |
| 8 Pan with curved edge | 7290 |
| 9 Left facade tile with curved edge | 8300 |
| Pan with curved edge and double well | 7380 |
| 10 Right facade tile with curved edge | 8350 |
| 11A hook frost | 7390 |
| 11B Crochet frost with double well | 8500 |
| 12 Left gable hook frost | 8550 |
| 13 Right gable hook frost | 7580 |
| 14 half pan | 7590 |
| 16 Kit cooker pan Ø 125 mm + cap | 8010 |
| Kit cooker pan Ø 100 mm + cap | 8728 |
| 17 Ventilation pan/Hook feed pan | 8741 |
| swift pan | 8640 |
| Cable entry pan | 8660 |
| 19 prince hat | 8958 |
| | 5140 |
| | 5500 |
| | 5520 |
| | 5540 |
| | 5560 |

1



2





1. OVH Vario Slate Engobe
2. OVH Vario Natural Red
3. OVH Vario Autumn Satiny

COLOUR RANGE



Vario Natural Red



Vario Rustic



Vario Red Satiny



Vario Autumn Satiny



Vario Black Glazed



Vario Slate Engobe

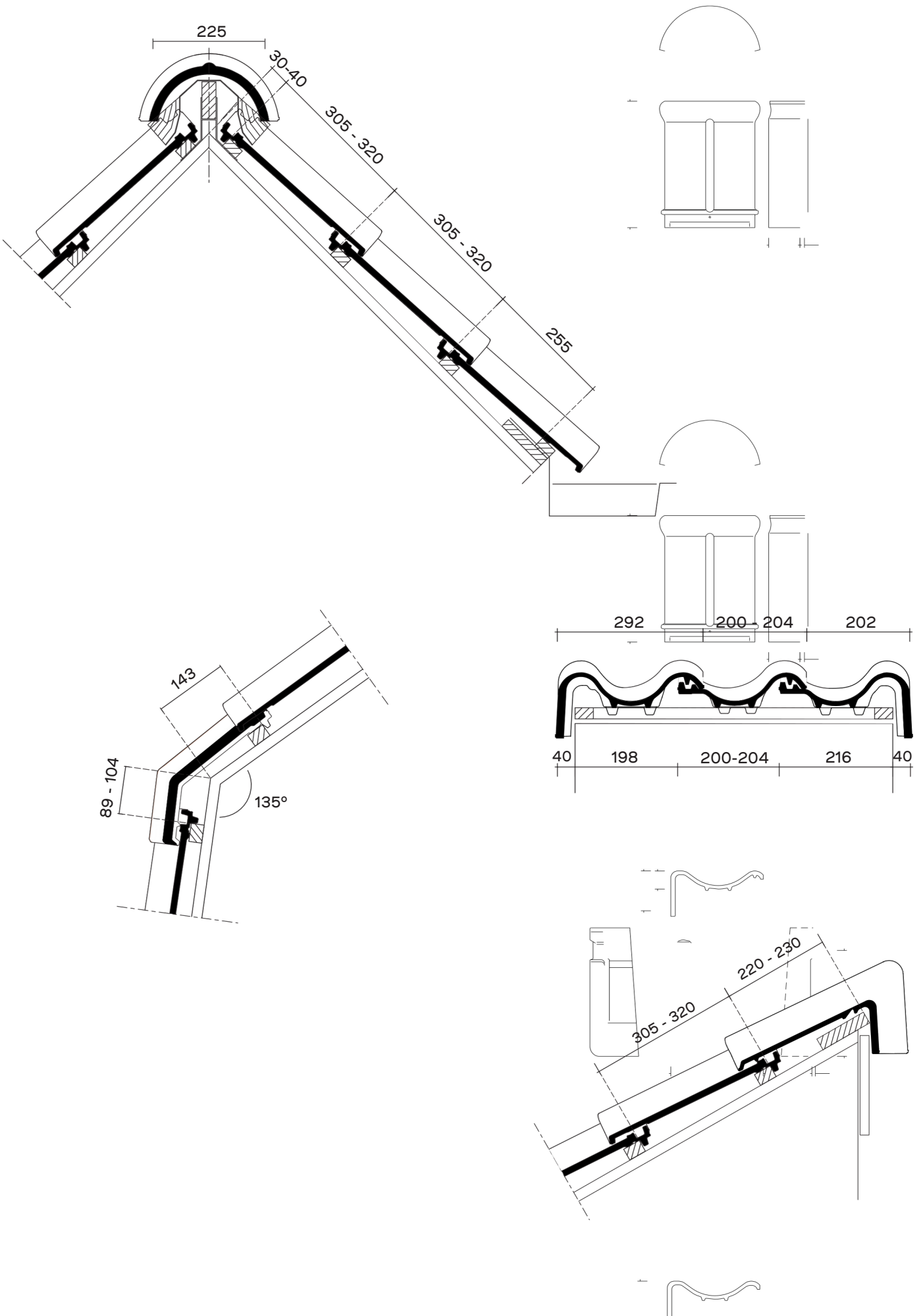


Vario Black Brown Engobe

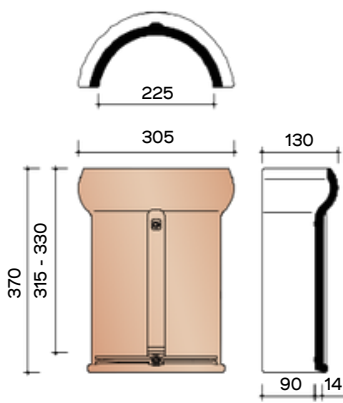


Vario Black Matt Glazed

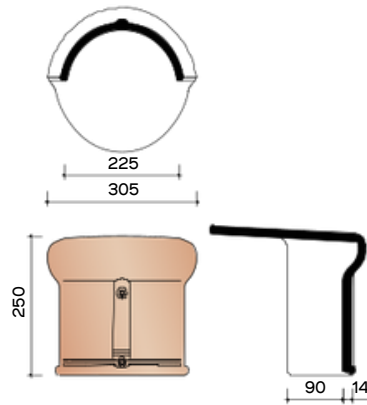
TECHNICAL INFORMATION - LAYING PLANS



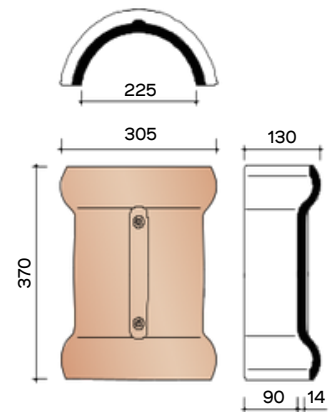
TECHNICAL INFORMATION



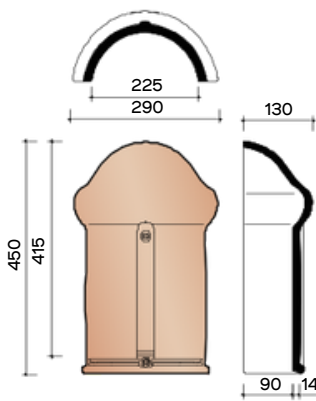
J0001200
3.1 pieces/Lm Semicircular frost/northern tree - 230 mm



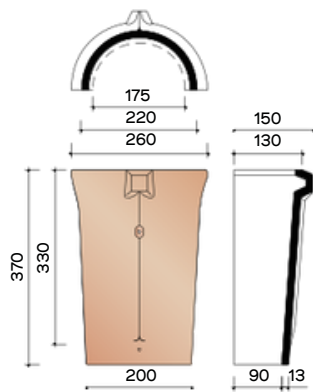
J0001215
Semicircular initial initial/final frost Vario with head plate - 225 mm



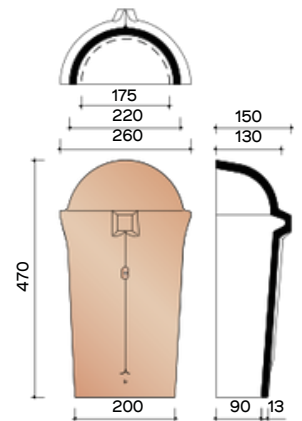
J0001250
Semicircular frost Vario with double wel - 225 mm



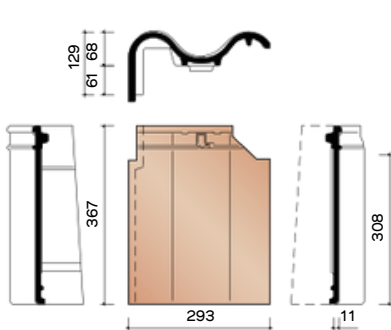
J0001260
Semicircular North Pole Vario - 225 mm



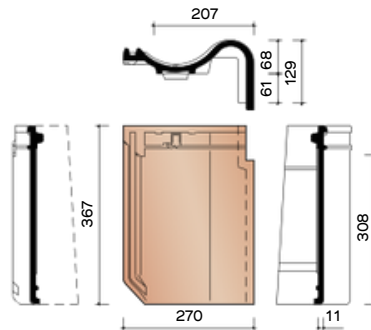
J0003100
3.1 pieces/Lm Conical North Tree



J0003110
Conical Beginning North Tree

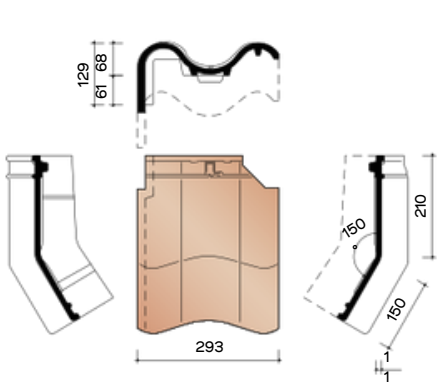


JOVH7080
3.1 pieces/Lm Left facade tile

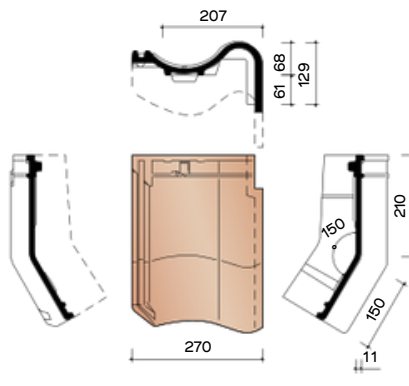


JOVH7090
3.2 pieces/Lm Right facade tile

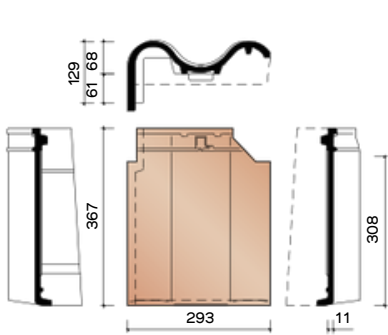
TECHNICAL INFORMATION - CLADDING TILES



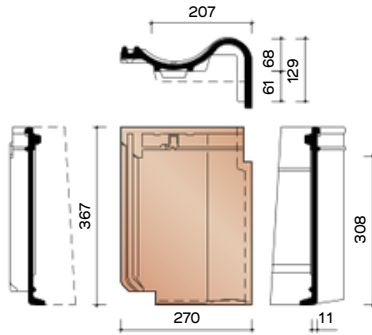
JOVH7280
Left gable hinged tile



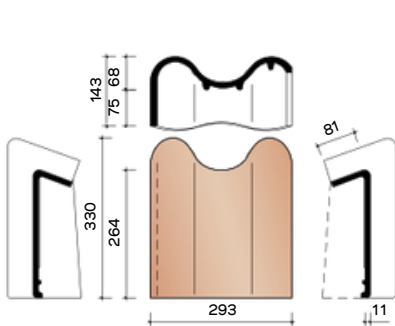
JOVH7290
Right gable tile



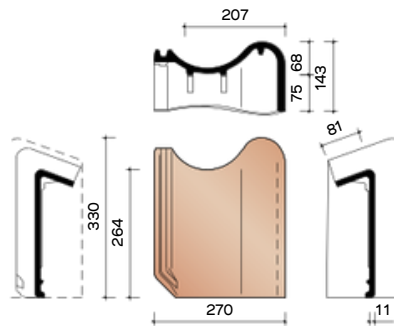
JOVH7380
Left facade tile with curved edge



JOVH7390
Right facade tile with curved edge

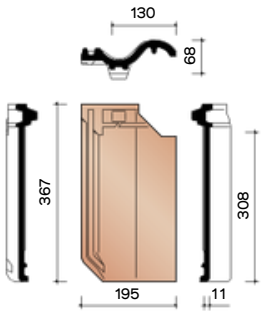


JOVH7580
Left gable hook frost

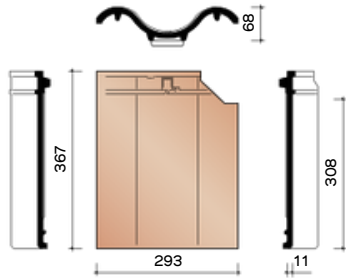


JOVH7590
Right gable hook frost

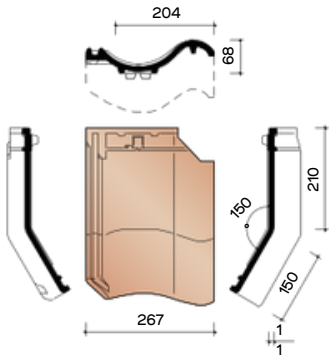
TECHNICAL INFORMATION - OTHER ACCESSORIES



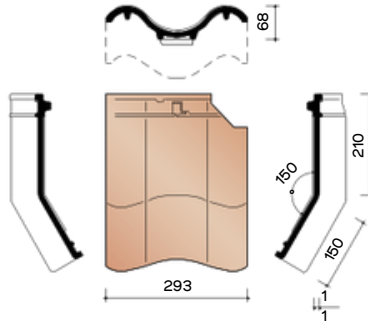
P0448030
3.2 pieces/Lm half pan



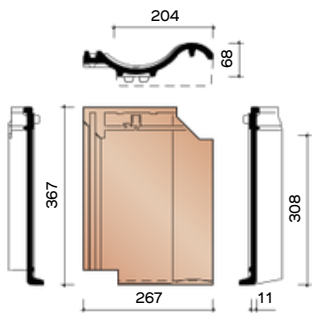
P0448050
3.2 pieces/Lm pan with double well



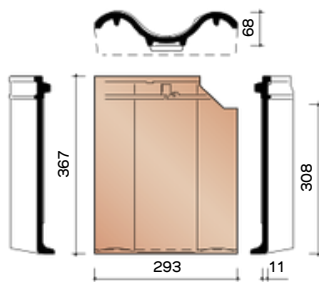
JOVH8200
4.9 pieces/Lm Articulate Pan 150



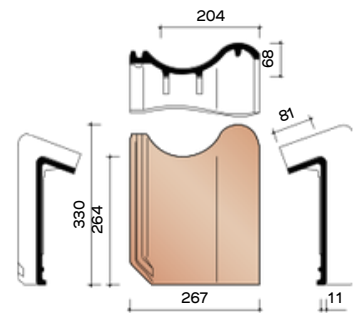
JOVH8250
Articulated pan with double well



JOVH8300
4.9 pieces/Lm
Pan with curved edge

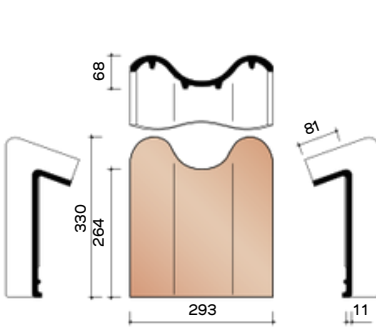


JOVH8350
Pan with curved edge and
double well

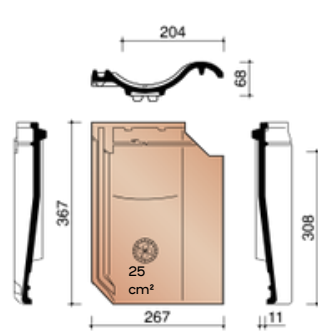


JOVH8500
4.9 pieces/Lm hook frost

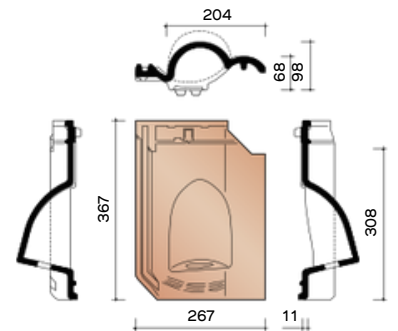
TECHNICAL INFORMATION - OTHER ACCESSORIES



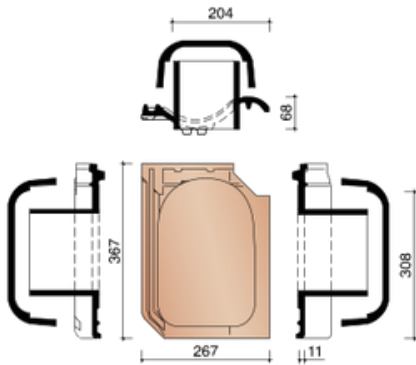
JOVH8550
Crochet frost with double well



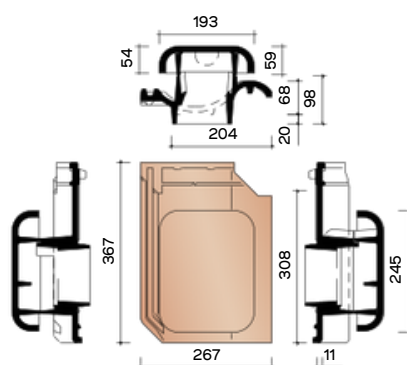
JOVH8640
Ventilation pan/hook feed pan with plastic grid - 25 cm²



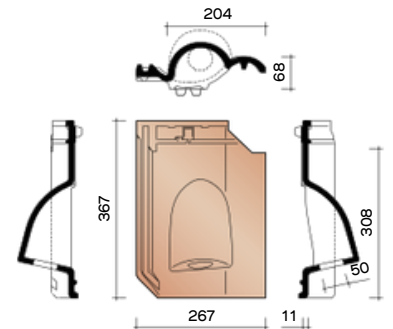
JOVH8660
Ventilation and Hook Transit Pan - 12 cm²



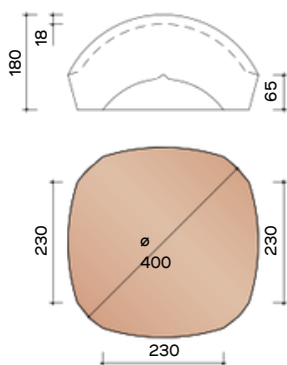
JOVH8728
Kit cooker pan Ø 125 mm + cap+ connection module + gear unit piece



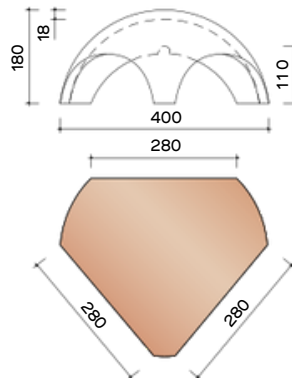
JOVH8741
Kit cooker pan Ø 100 mm + cap + connection module + gear unit piece



JOVH8958
Cable entry pan Ø 50 mm

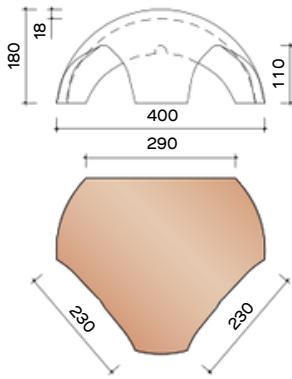


J0005140
Princes hat between 3 princes 1200

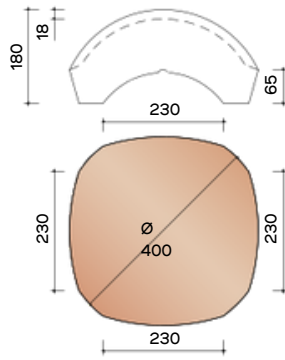


J0005500
Frost hat between 1 frost 1200 and 2 princes 1200 as north tree

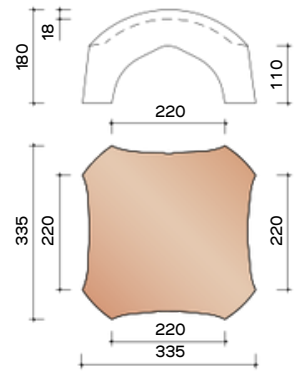
TECHNICAL INFORMATION - OTHER ACCESSORIES



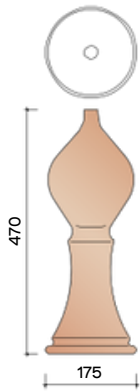
J0005520
Frost hat between 1 frost and
1200 2 north trees 3100



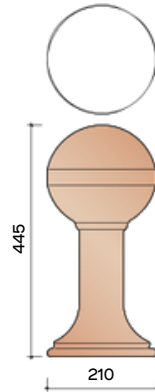
J0005540
Princes hat between 4
monarchs 1200



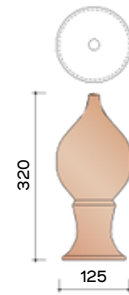
J0005560
Prince's hat between 4 north
trees 3100



N0005900
Piron No. 1



N0005910
Piron No. 2



N0005930
Piron No. 4

LOHAS

CONTACT US

P 02 9566 2114
E info@lohasau.com

W lohasau.com
IG [@lohas_australia](https://www.instagram.com/lohas_australia)

LOHAS Australia is a proud distributor of the Wienerberger product range.

