

LOHAS

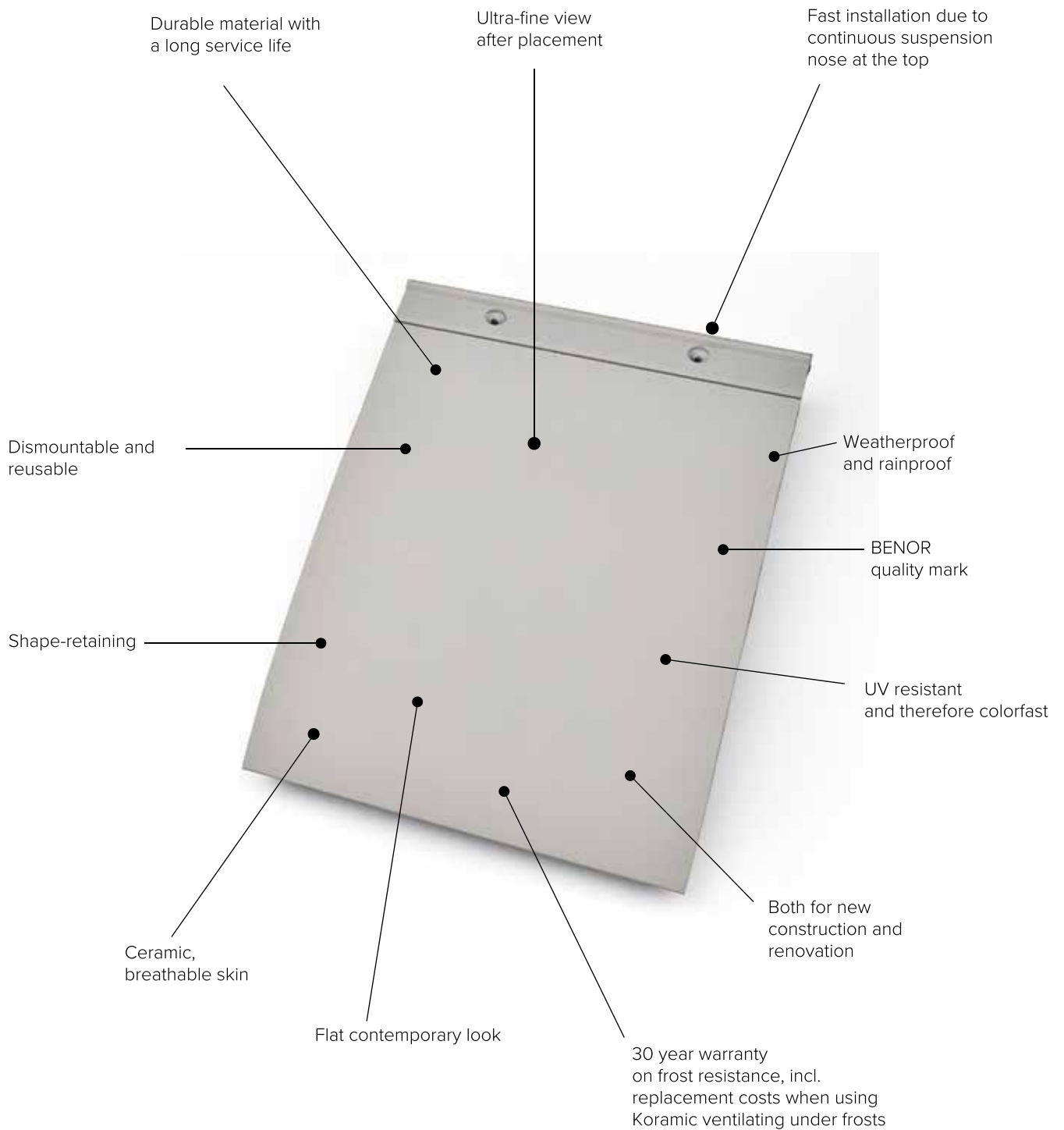
AUSTRALIA

ROOF TILE COLLECTION

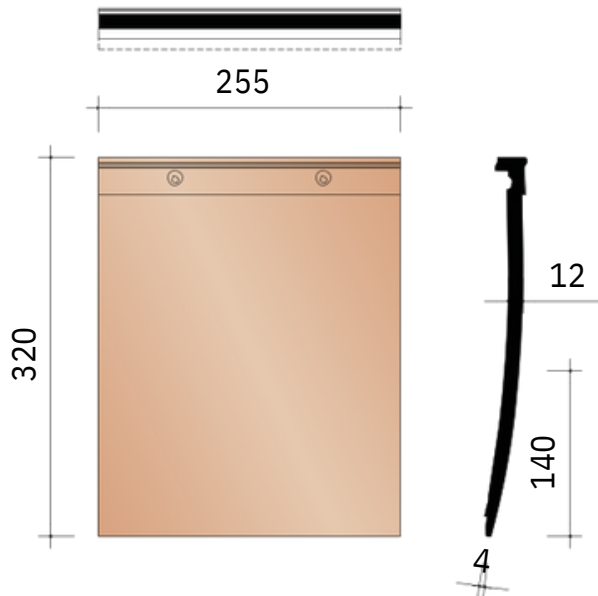
MODERN
ELFINO ROOF TILES
SPEC GUIDE

LOHASAU.COM

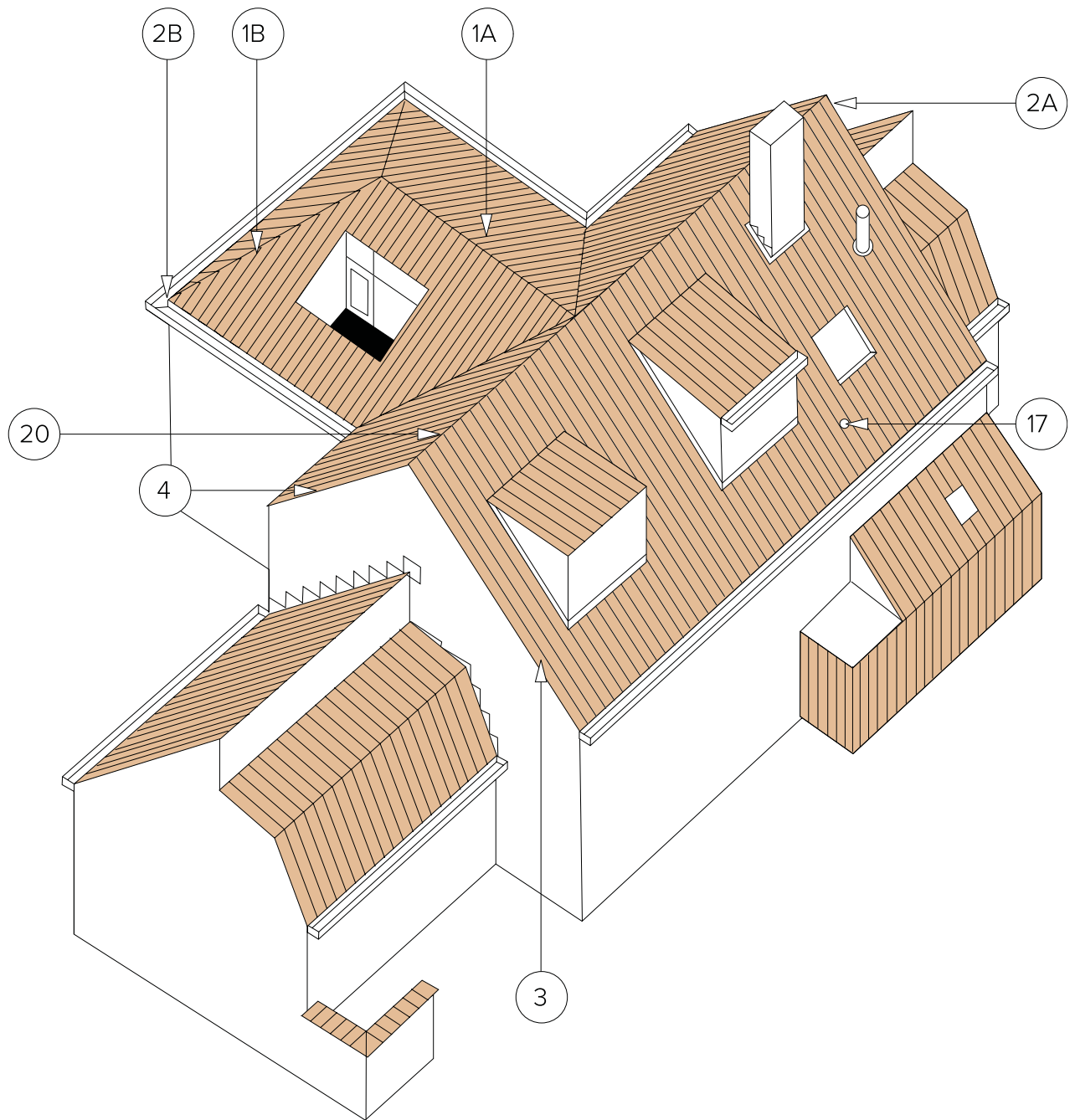
Elfino



TECHNICAL INFORMATION



Definition:	Flat drawn clay tile with continuous bonding rib
Min. roof slope with shelter - Fleece of Fleece Plus: - Fleece Plus: - Fleece Premium:	35° at a batten distance of 140 mm 25° to 35° with a batten spacing of 130 mm 15°, with a batten spacing of 140 mm and subject to observance of the instructions in the Façade and Underroof Foils brochure.
Useful length (bar spacing):	± 140 mm ± 130 mm
Useful width:	± 255 mm
Number of pieces/m ² :	± 28 pieces at batten distance of 140 mm ± 30,2 pieces at batten distance of 130 mm
Unit weight:	± 2,18 kg
Weight per m ² :	± 61,0 kg at batten distance of 140 mm ± 65,8 kg at batten distance of 130 mm
Breaking load:	> 900 N
Impermeability:	≤ 0,5 cm ³ /cm ² .d
Frost resistance:	Frost resistance [EN 539-2]
Placement:	Crosswise



1A Frost	2801
	2802
1B North Tree	3701
2A Headplate	2841
	2842
2B Beginning North Tree	3711
3 Left half facade tile	7120
4 Right half facade tile	7130
17 Ventilation pan kit	8611
20 Short pan	8110



COLOUR RANGE



Agate Grey

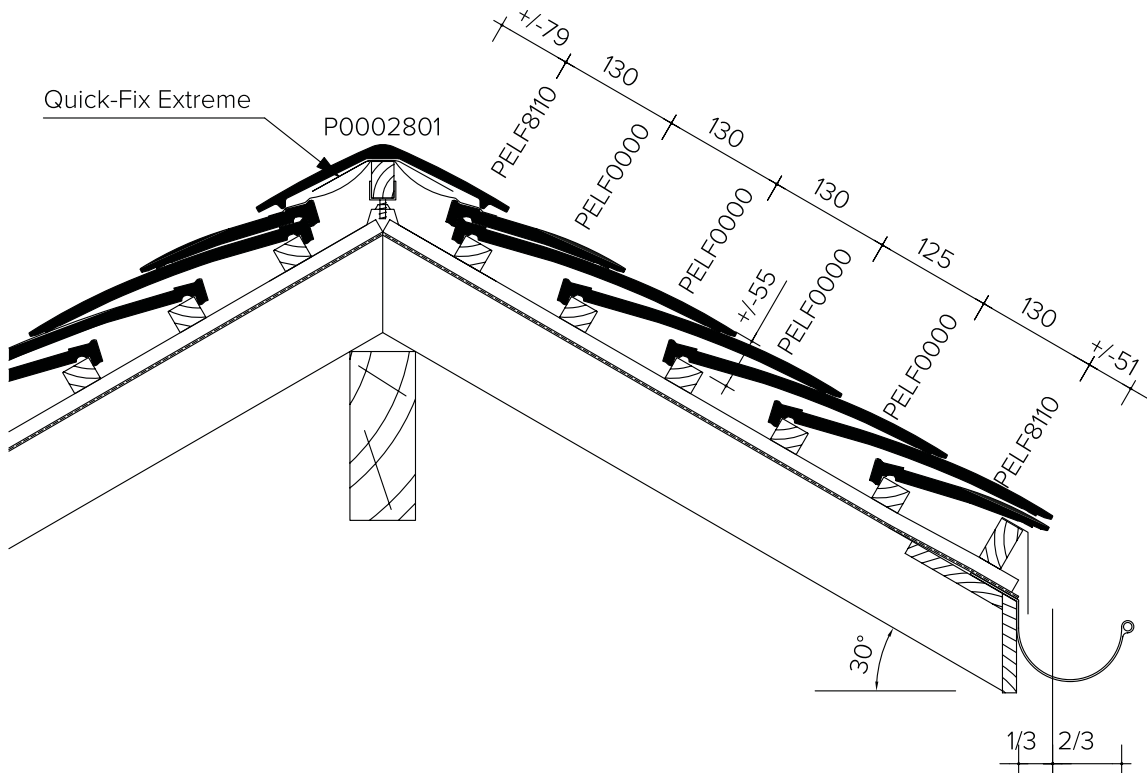


Slate Engobe

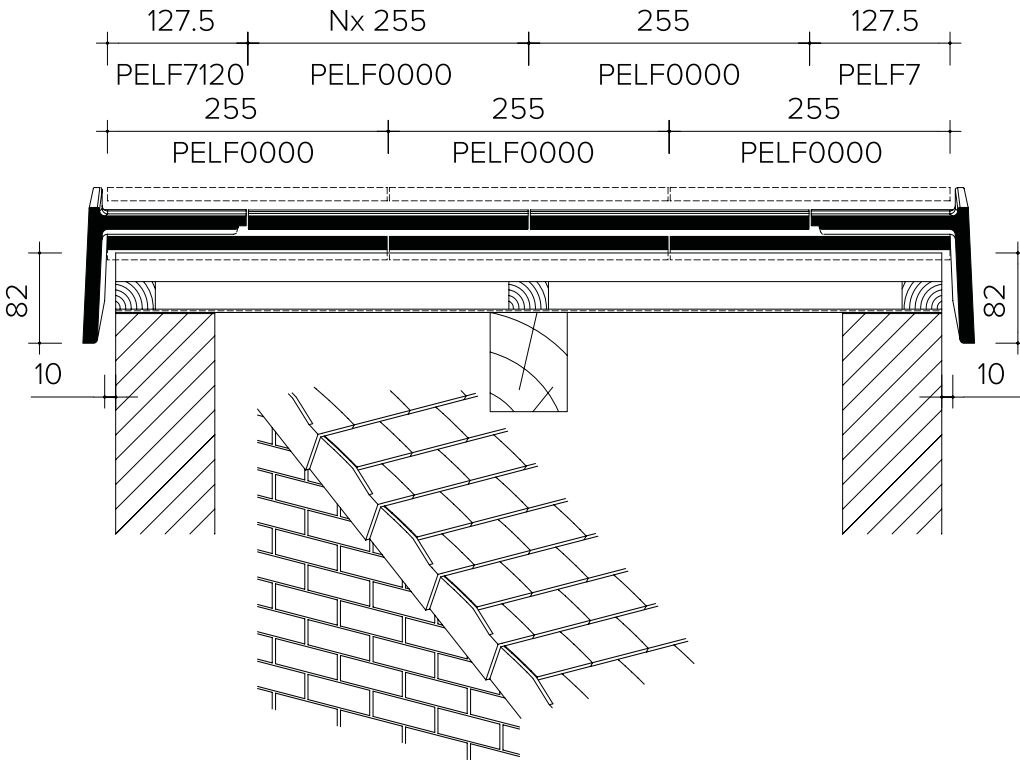


Braised Blue

TECHNICAL INFORMATION - LAYING PLANS

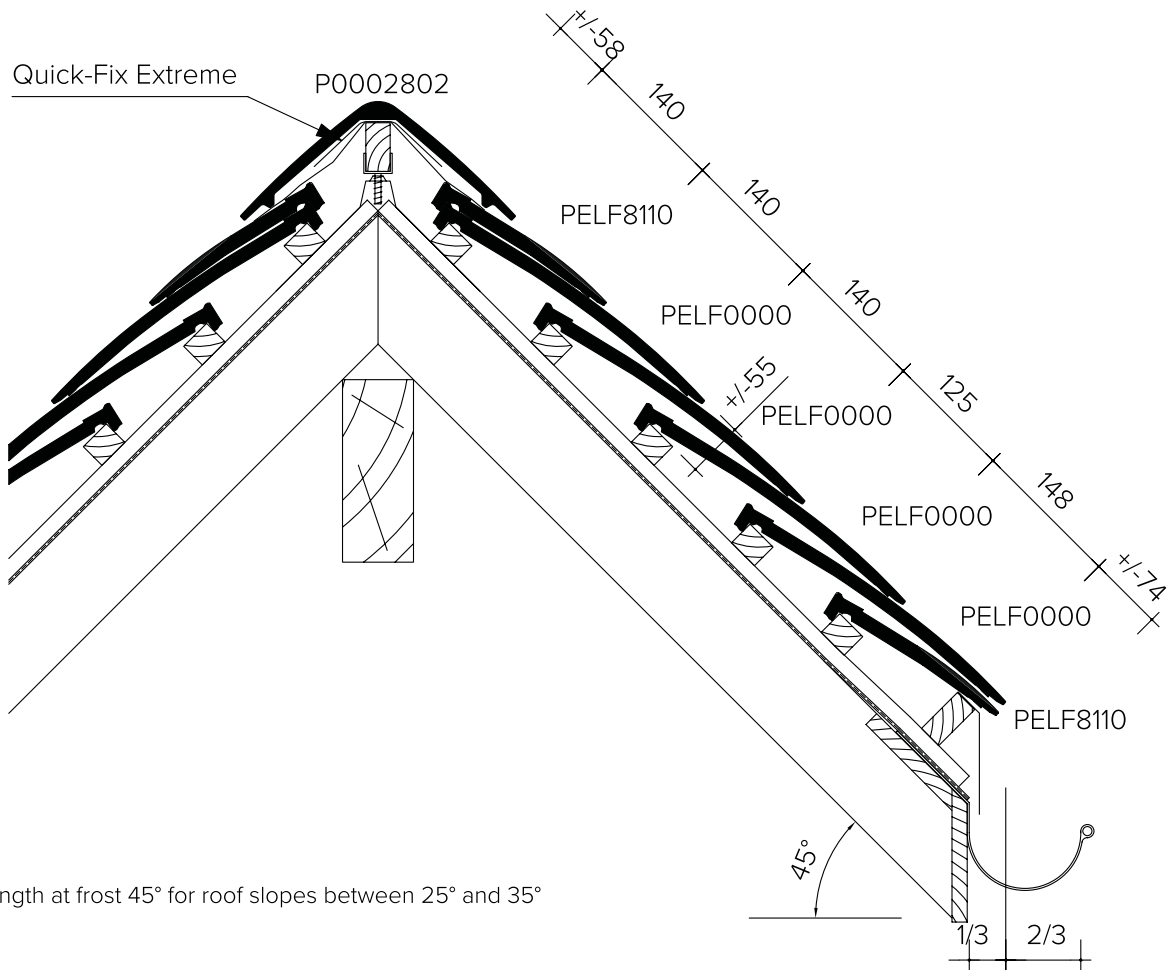


Roof length at frost 30° for roof slopes between 25° and 35°

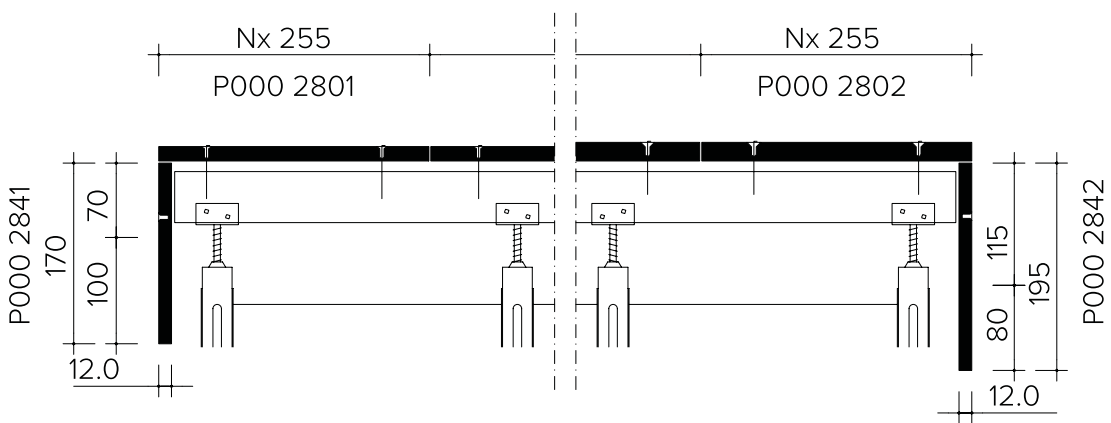


Cross-Section roof at the height of facade tiles

TECHNICAL INFORMATION - LAYING PLANS

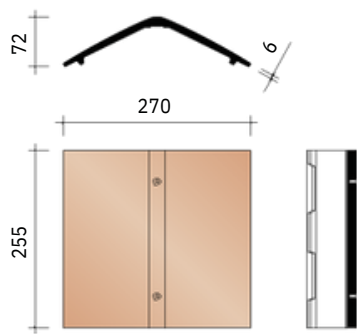


Roof length at frost 45° for roof slopes between 25° and 35°

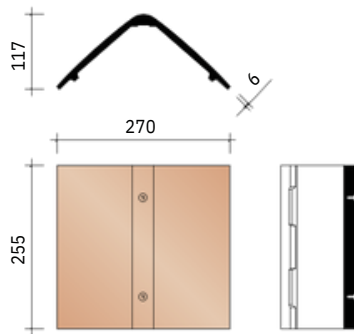


Cross-Section roof at the height of frost 30° and frost 45°

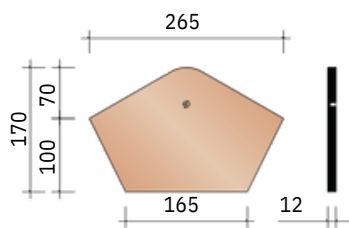
TECHNICAL INFORMATION - MONARCHS



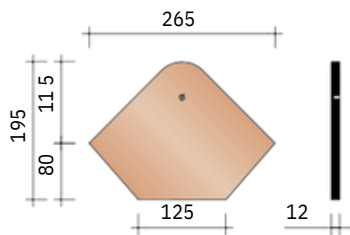
P0002801
4 pieces/Lm
Angular frost without closure 30°



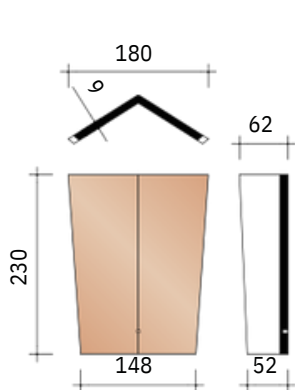
P0002802
4 pieces/Lm
Angular frost without closure 45°



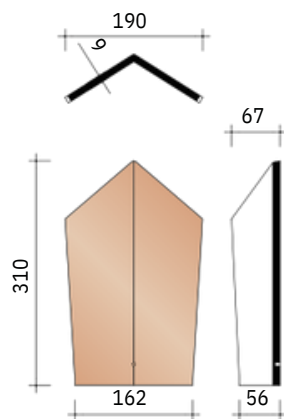
P0002841
Head plate for angular frost
without closure 30°



P0002842
Head plate for angular frost
without closure 45°

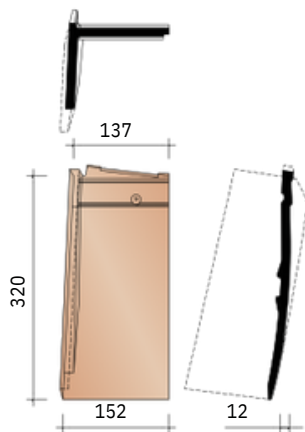


P000370
6 pieces/Lm
Small angular north tree

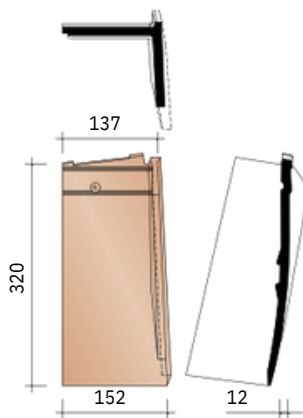


P0003711
Small Angular Beginning North Tree

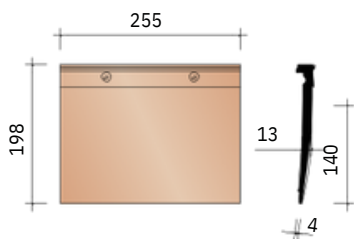
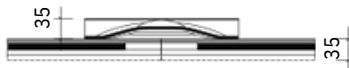
TECHNICAL INFORMATION - CLADDING TILES AND OTHER ACCESSORIES



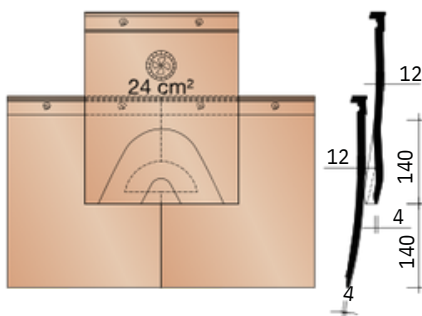
PELF7120
3.6 pieces/Lm
Special left half facade tile



PELF7130
3.6 pieces/Lm
Special right half facade tile



PRUST8110
4 pieces/Lm
Short Pan



PRUST8611
Kit ventilation pan with grid - 24
cm²

LOHAS

CONTACT US

P 02 9566 2114
E info@lohasau.com

W lohasau.com
IG [@lohas_australia](https://www.instagram.com/lohas_australia)

LOHAS Australia is a proud distributor of the Wienerberger product range.

