

LOHAS

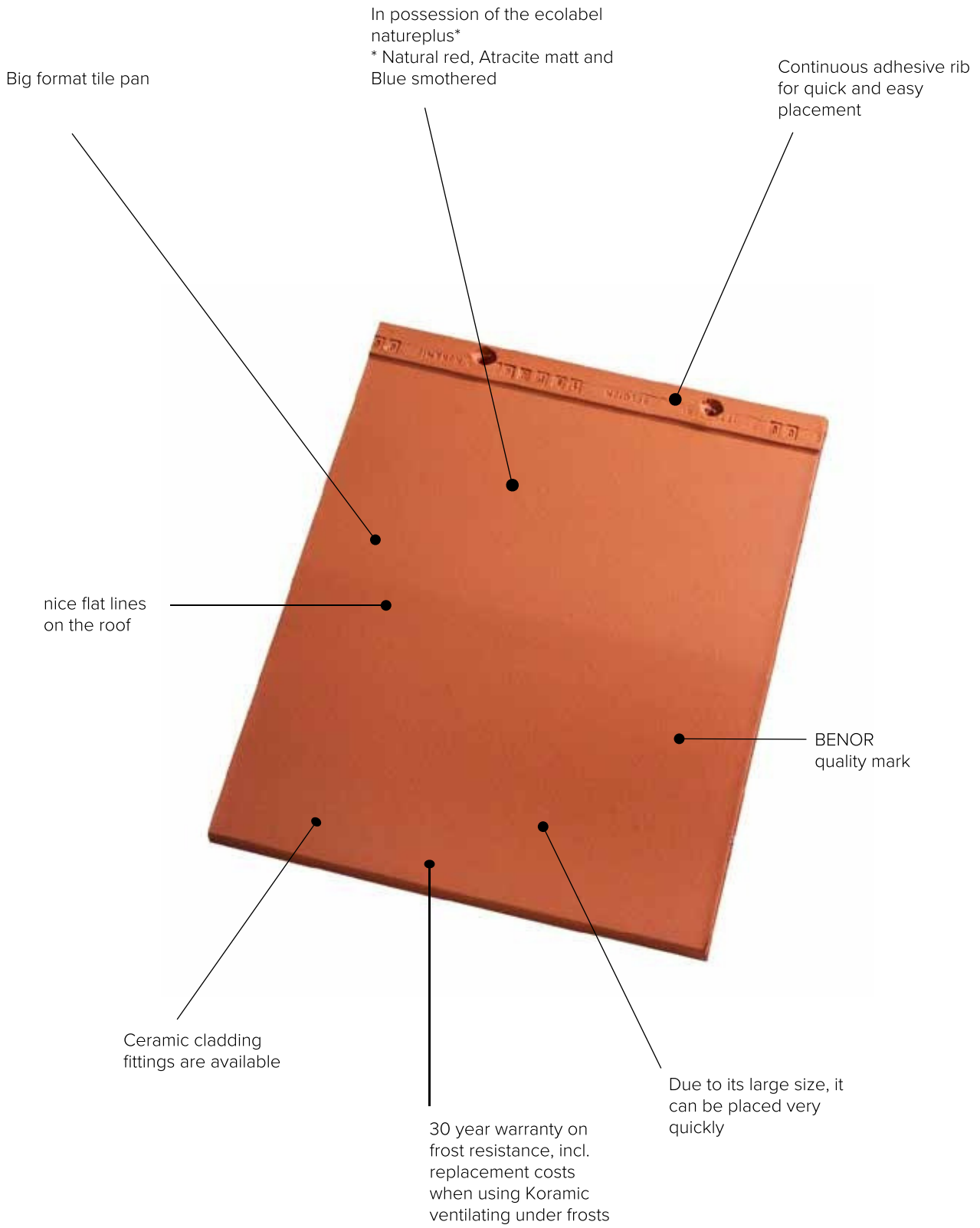
AUSTRALIA

ROOF TILE COLLECTION

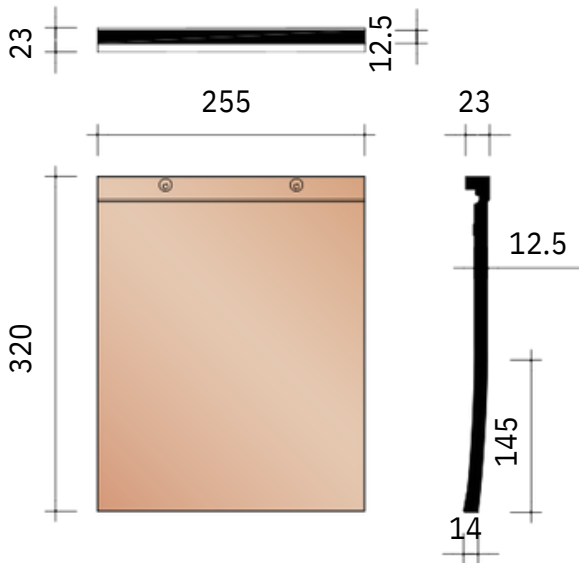
MODERN PLATO ROOF TILES SPEC GUIDE

LOHASAU.COM

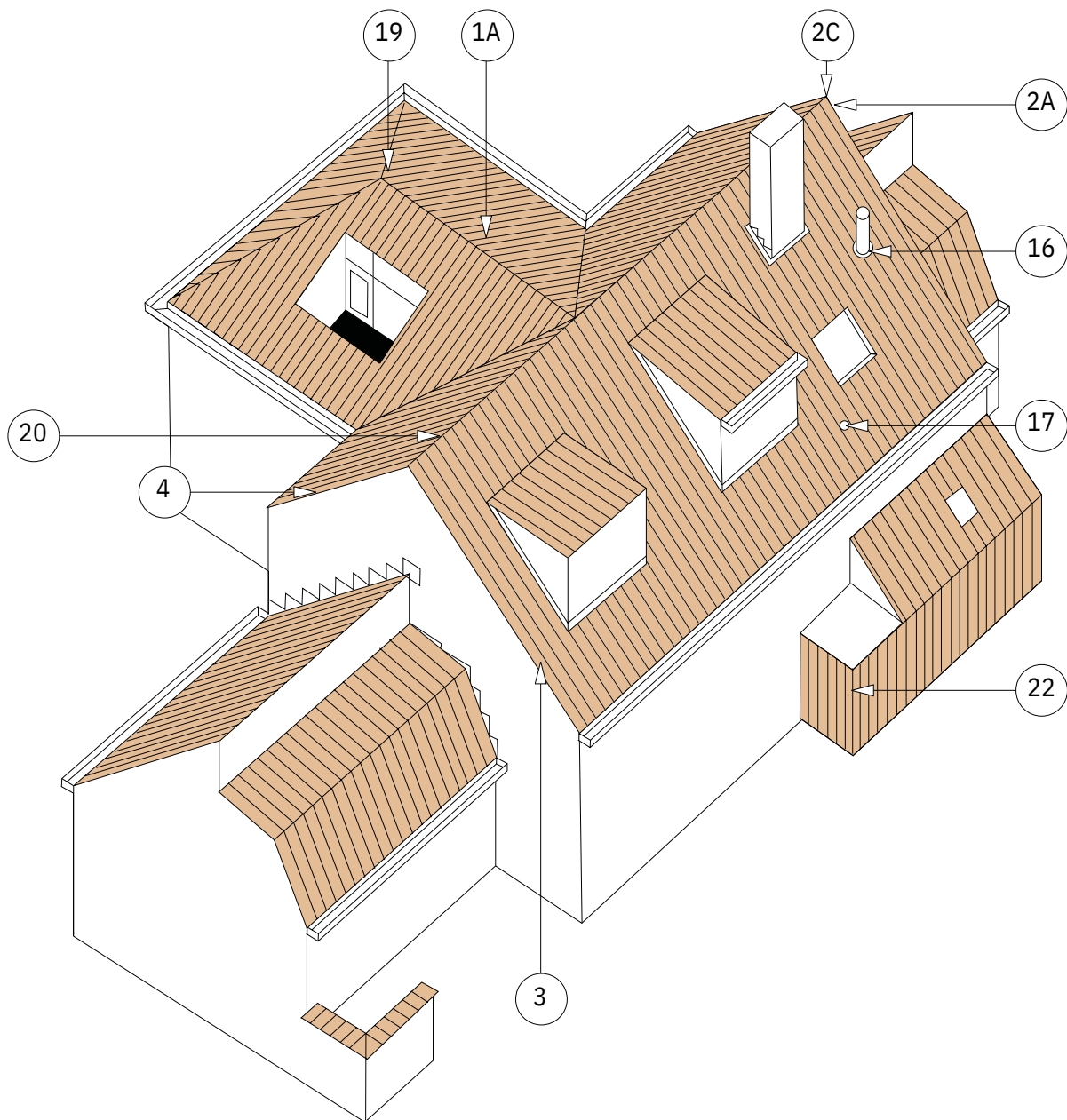
Plato Natural Red



TECHNICAL INFORMATION



Definition:	Flat drawn clay tile tile with continuous adhesive rib.
Min. roof slope with shelter - Fleece of Fleece Plus: - Fleece Plus: - Fleece Premium:	35° at lath spacing 145 mm from 25° to 35° with lath spacing 135 mm 15° with a batten spacing of 145 mm, subject to the instructions in the Façade and Underroof Foils brochure
Useful length (bar spacing): depending on the roof pitchhel	± 145 mm ± 135 mm
Useful width	± 255 mm
Number of pieces/m ² batten distance 145 mm: batten distance 135 mm:	± 27 pieces ± 29 pieces
Unit weight:	± 2,30 kg
Weight/m ² batten distance 145 mm: batten distance 135 mm:	± 62,1 kg ± 66,7 kg
Breaking load:	> 600 N
Impermeability:	≤ 0,5 cm ³ /cm ² .d
Frost resistance:	Frost resistance [EN 539-2]
Placement:	Crosswise



1A frost	800
	2800
2A head plate	1840
	2840
2C early frost	1830
3 Left facade tile	7120
4 Right facade tile	7130
16 Kit cooker + cap	8961
17 Kit Ventilation pan	8611
19 connecting piece	5830
	5850
20 short pan	8110
22 Corner piece for facade cladding	8800
	8810

* Tip: the tiled tiles must not be placed against each other (± 1 mm distance), to avoid damage to the tiles by setting the supporting structure.

1



2



3



1. Plato Slate Engobe
2. Plato Old English Weathered
3. Plato Natural Red

COLOUR RANGE



Natural Red



Old English Weathered



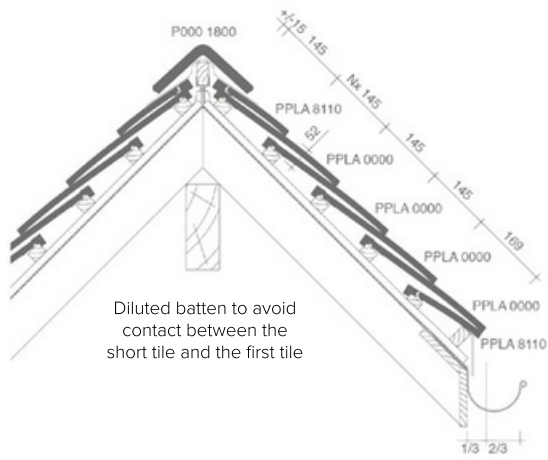
Braised Blue



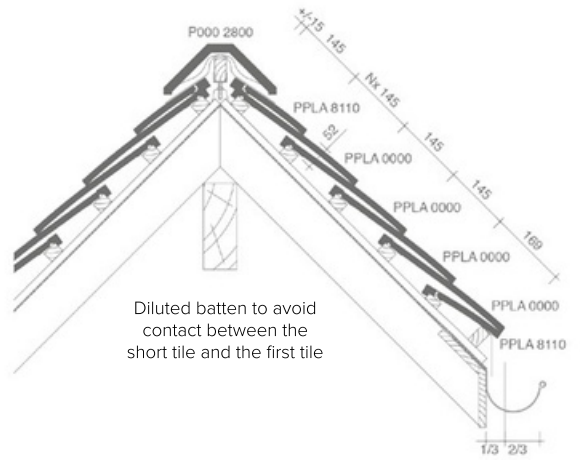
Slate Engobe

TECHNICAL INFORMATION - LAYING PLANS

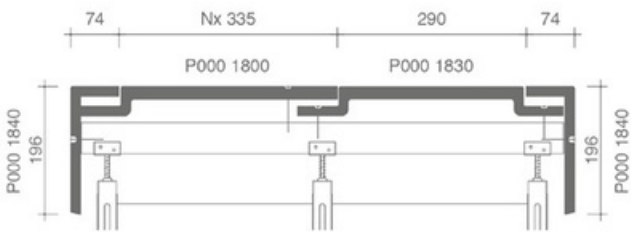
Length-Section roof at frost 1800



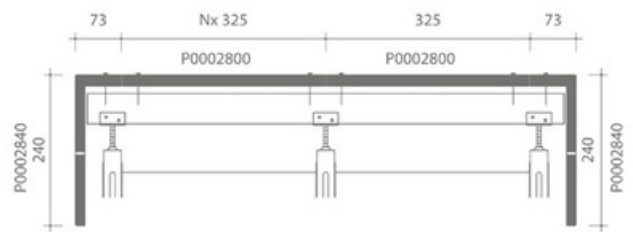
Cross-Section roof at height from facade panels



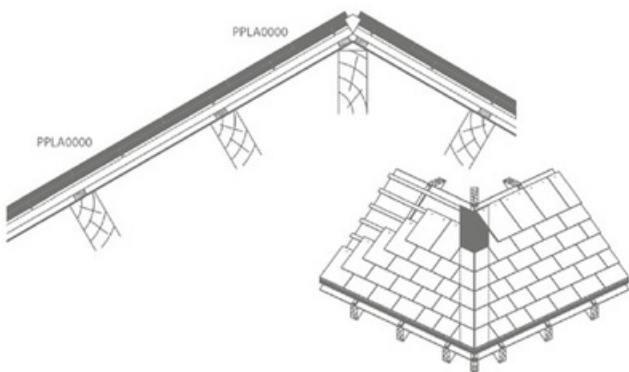
Cross-Section roof at the height of frost 1800



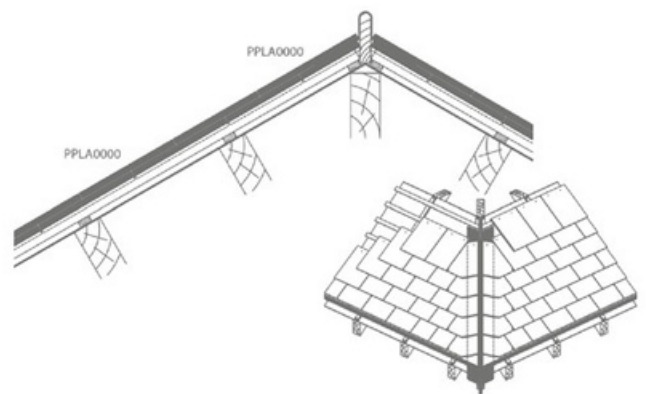
Cross-Section roof at frost 2800



Roof section at north tree with worked lead replacement koraflex (plus)



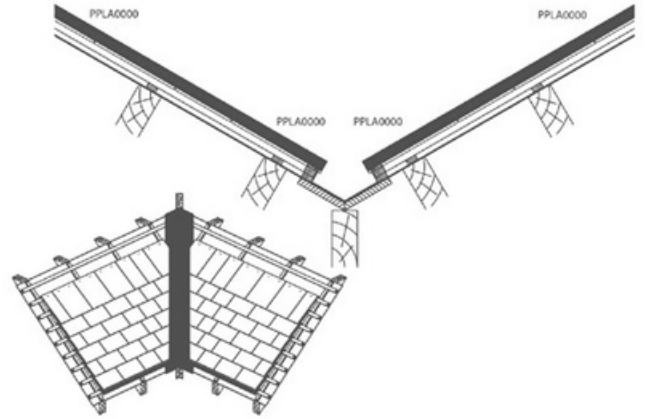
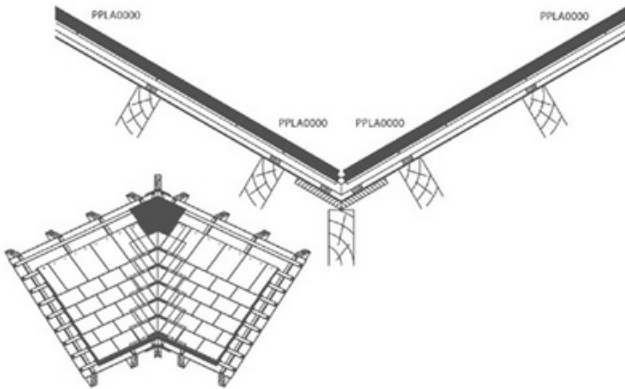
Roof section at north tree with roof flat



TECHNICAL INFORMATION - LAYING PLANS

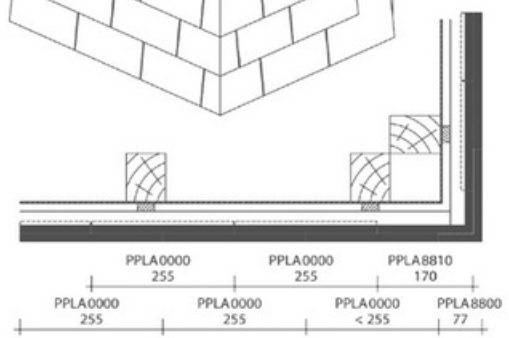
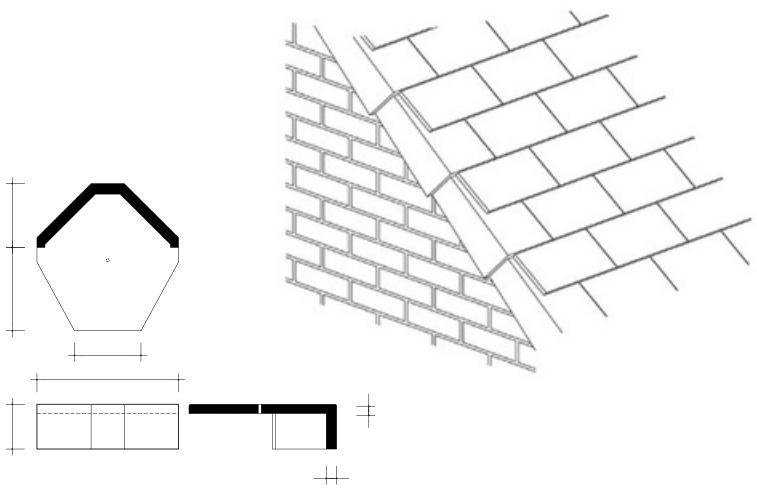
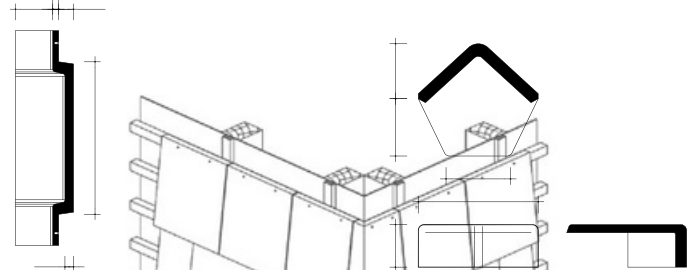
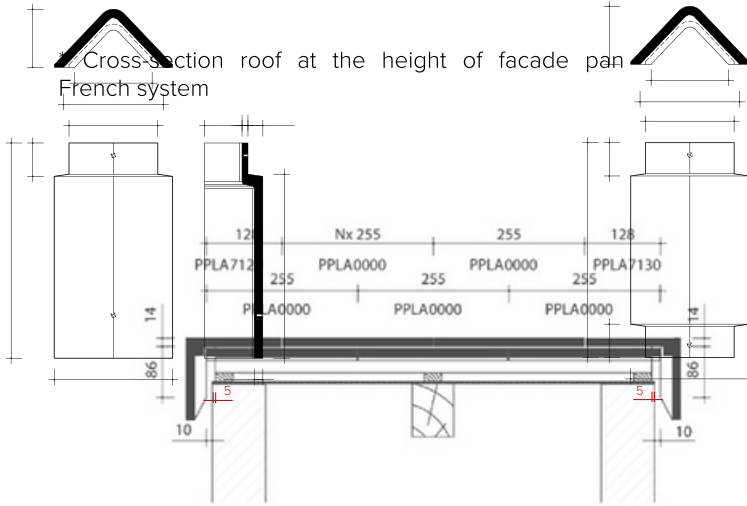
Roof section at keel gutter with worked lead replacement koraflex (plus)

Roof section at the height of keel gut in metal



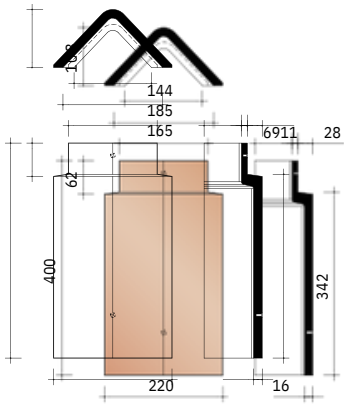
Cross-section roof at the height of facade pan French system

* 3D drawing facade cladding with section

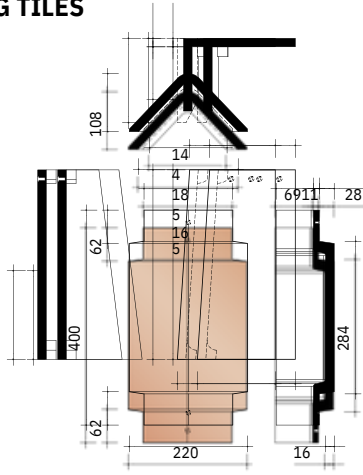


* Tip: the tiled tiles must not be placed against each other (± 1 mm distance), to avoid damage to the tiles by setting the supporting structure

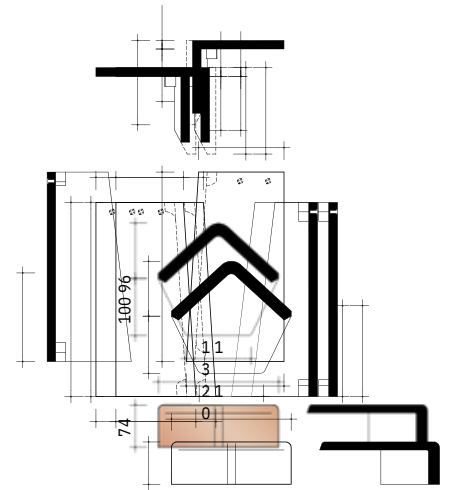
TECHNICAL INFORMATION - CLADDING TILES



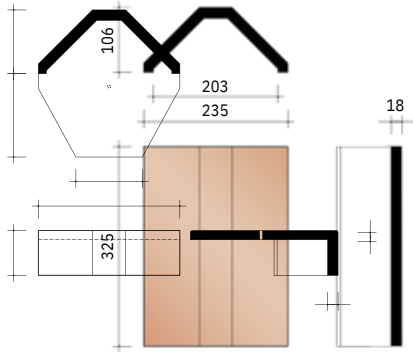
P0001800
3 pieces/Lm Angular frost



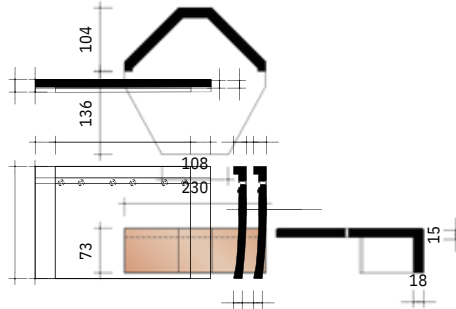
P0001830
Angular initial frost without head plate



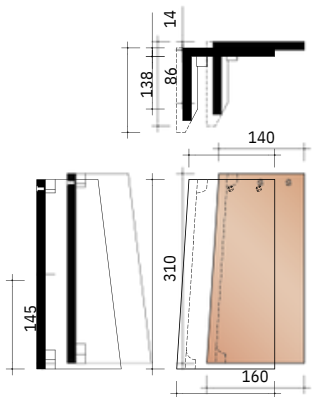
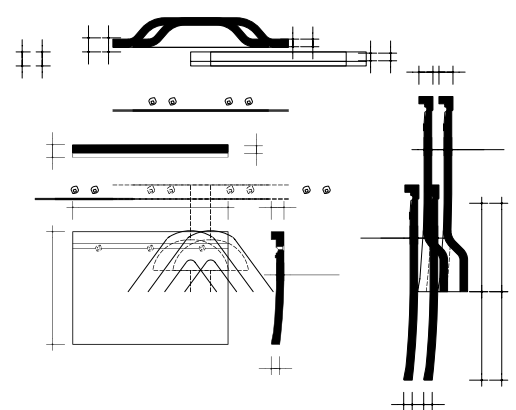
P0001840
Head plate for angular frost



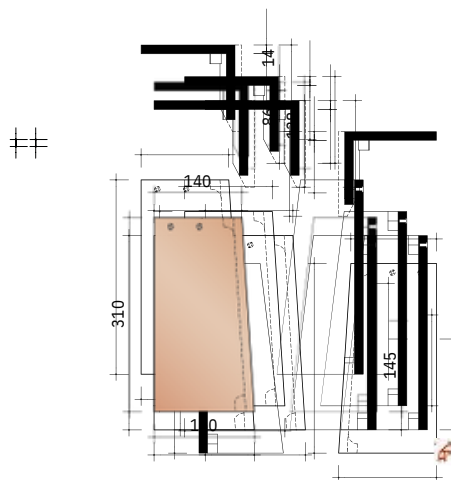
P0002800 3
pieces/Lm



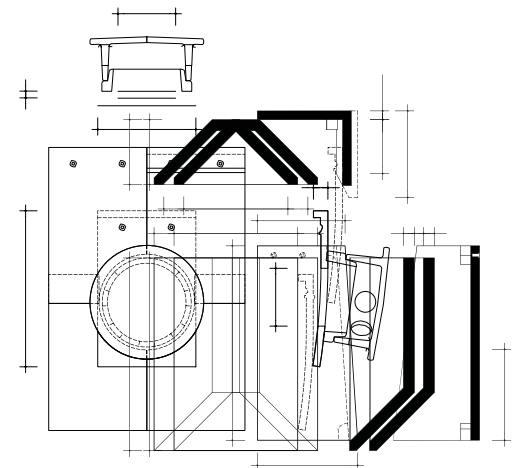
P0002840
Head plate for angular frost
without closure



PPLA7120
3.5 pieces/Lm
Special left half facade tile

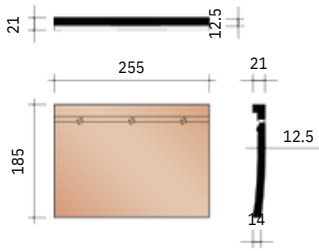


PPLA7130
3.5 pieces/Lm
Special right half facade tile

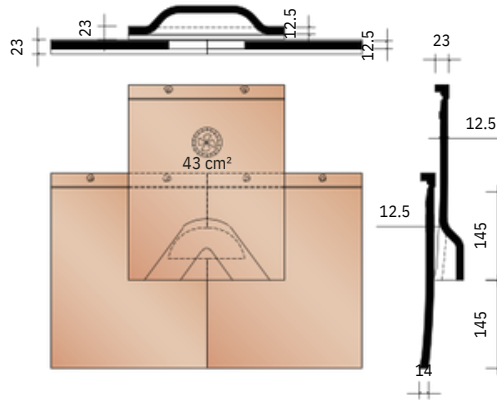


- X Dry to install with Quick-Fix
- Extreme To be used alternately with tile pans

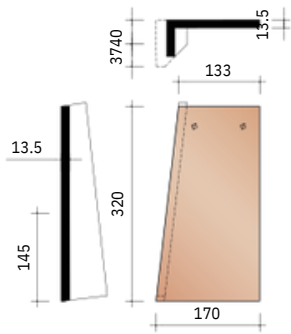
TECHNICAL INFORMATION - OTHER ACCESSORIES



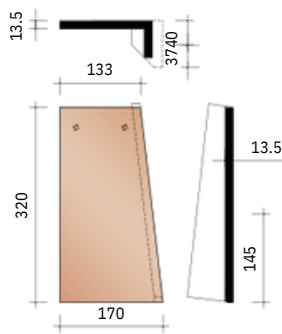
PPLA8110
4 pieces/Lm Short pan



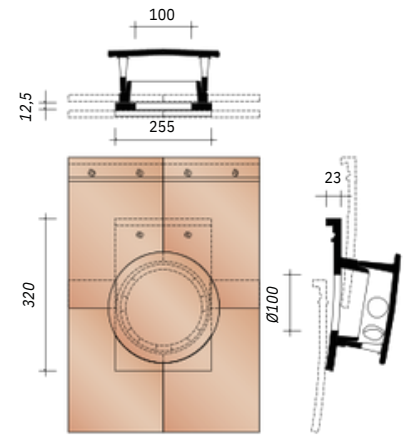
PPLA8611
Kit ventilation pan with grid - 43cm



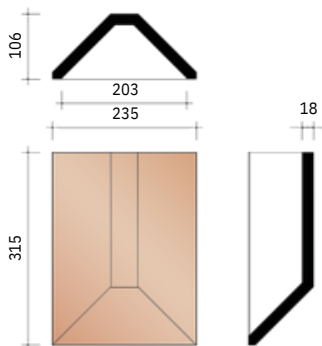
PPLA8800
3.5 pieces/Lm
Left corner (cladding)



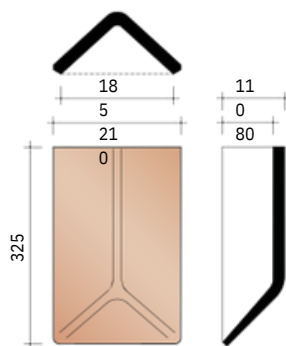
MACT7280
3.5 pieces/Lm
Right corner (cladding)



PPLA8961
Cooker pan kit + cap Ø 100
mm - 95 cm² + connection
module 8



P0005830
Connection piece between 1 angular
frost 2800 and 2 integrated north trees
with pans incorporated with Koraflex
(plus)



P0005850
Connection piece between 1 angular
frost 1800 and 2 integrated north trees
with tiles incorporated with Koraflex (plus)

& Can always be used together

LOHAS

CONTACT US

P 02 9566 2114
E info@lohasau.com

W lohasau.com
IG [@lohas_australia](https://www.instagram.com/lohas_australia)

LOHAS Australia is a proud distributor of the Wienerberger product range.

