

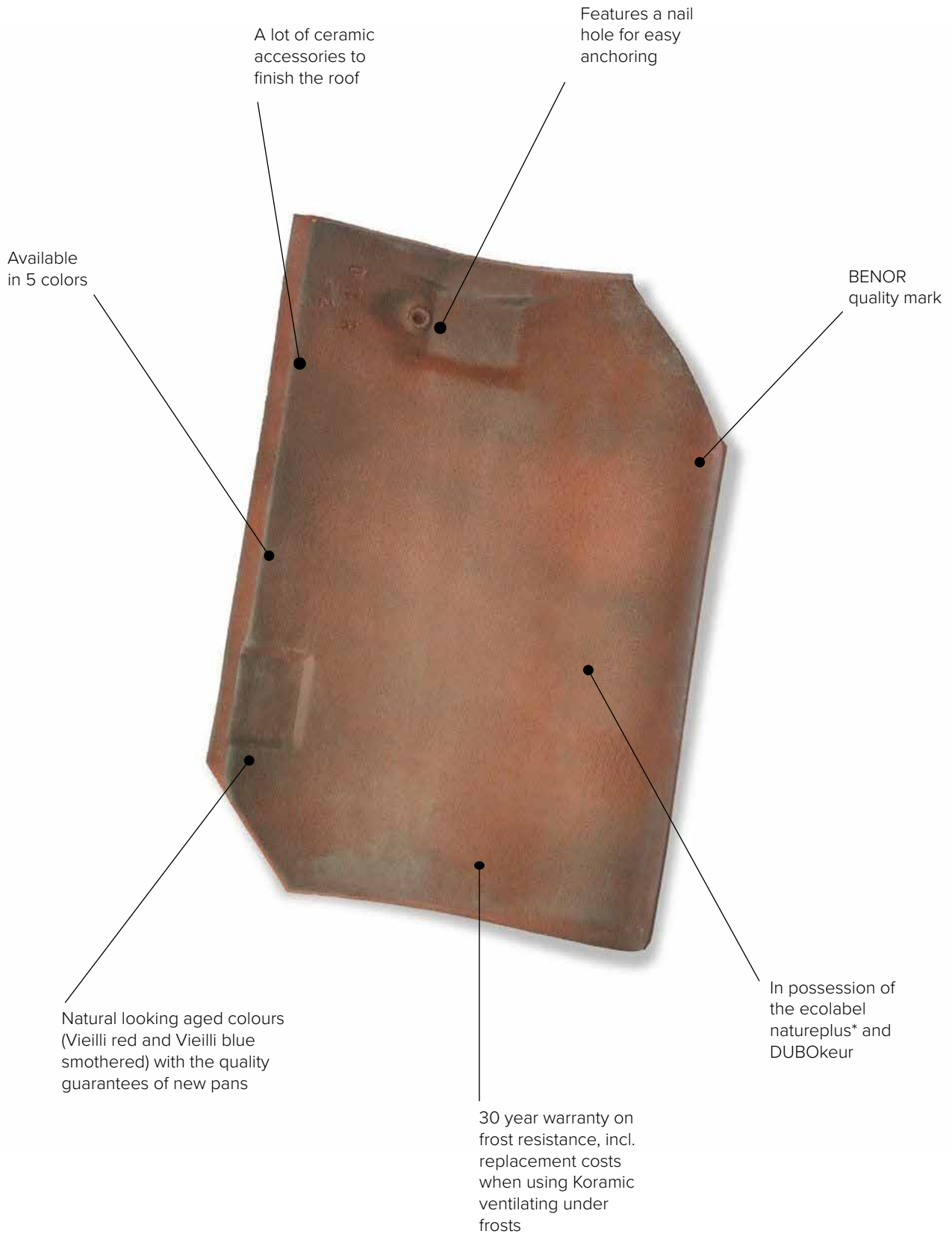
OLD POTTELBERG ROOF TILES



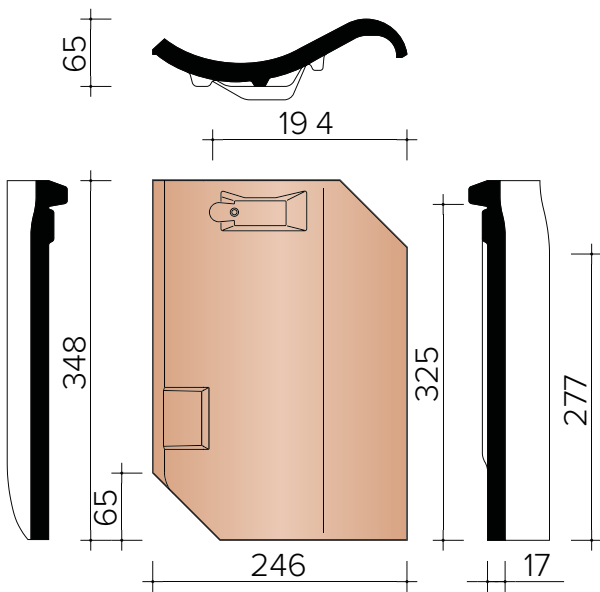
LOHAS
Australia



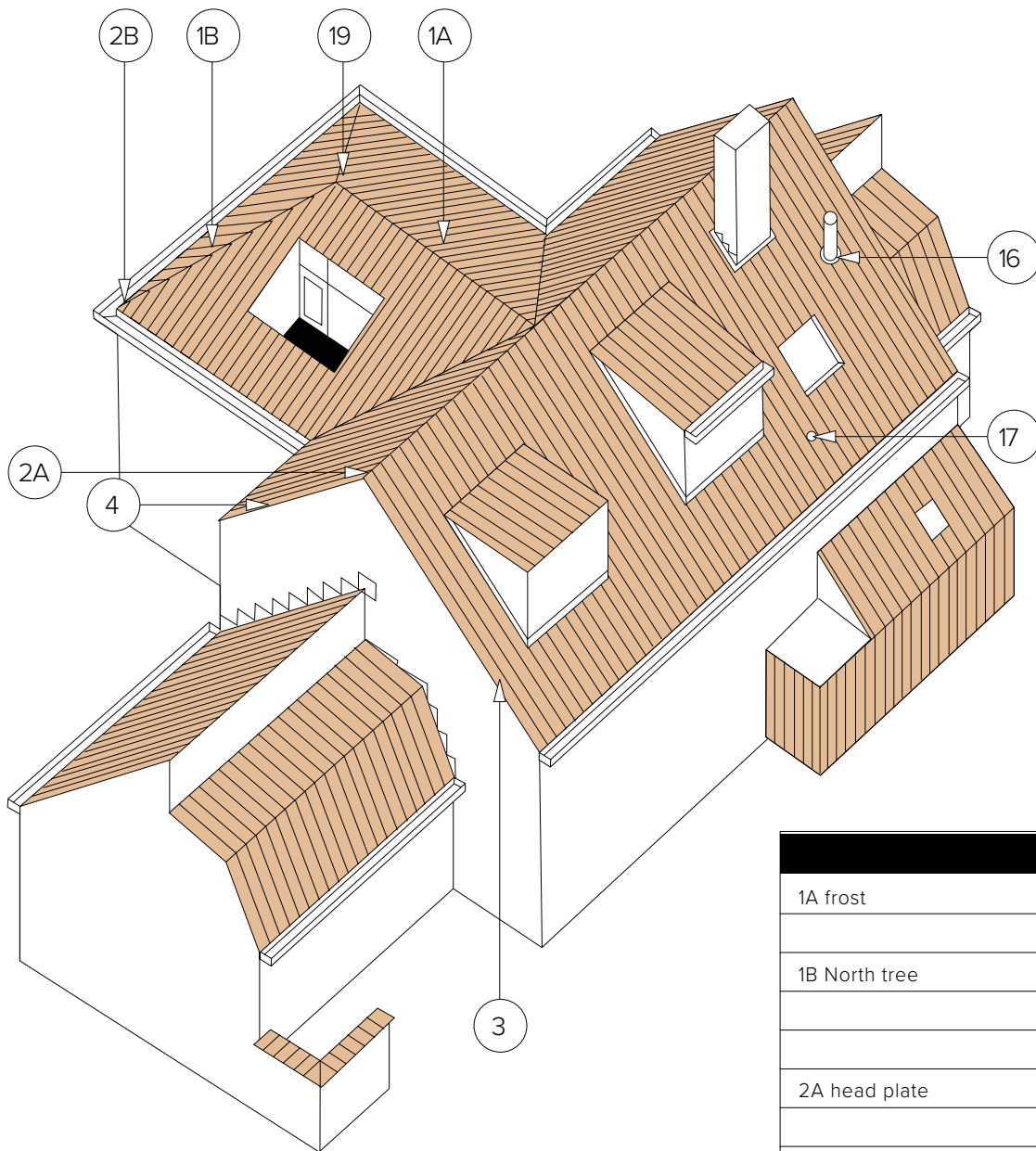
Old Pottelberg Rustic



TECHNICAL INFORMATION



Definition:	Holle padlock
Min. roof slope with shelter - Fleece of Fleece Plus: - Fleece Premium:	25° 15°, subject to the instructions in the brochure Facade and underroof films.
Useful length (bar spacing):	± 277 mm
Useful width:	± 194 mm
Number of pieces/m ² :	± 18.6
Unit weight:	± 2.3 kg
Weight per m ² :	± 42.8 kg
Breaking load:	> 1200 N
Impermeability:	≤ 0,5 cm ³ /cm ² .d
Frost resistance:	Frost resistance
Placement:	Straight



1A frost	1400
	1200
1B North tree	3300
	1200
	3100
2A head plate	1440
	1240
early frost	1230
2B Beginning North Tree	3360
	1260
	3110
3 Left facade tile	7080
Pan with double well	8050
4 Right facade tile	7090
16 Kit cooker + cap	8741
17 Ventilation pan	8640
19 prince hat	5500
	5730
	5740
connecting piece	5290
	5120
	5630
	5640
	5020
	5250

1



2



3



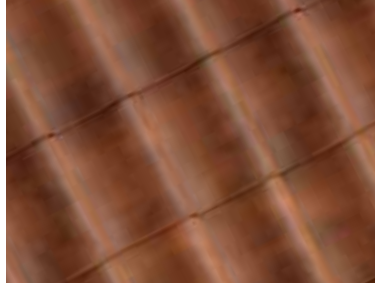


1. Old Pottlberg Vieilli Braised Blue
2. Old Pottlberg Vieilli Braised Blue and Vieilli Red
3. Old Pottlberg Natural Red
4. Old Pottlberg Braised Blue

COLOUR RANGE



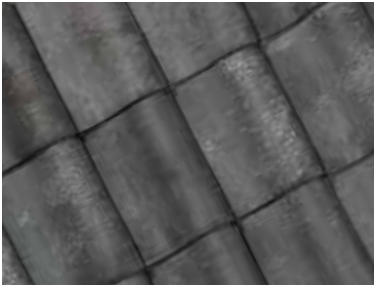
Natural Red



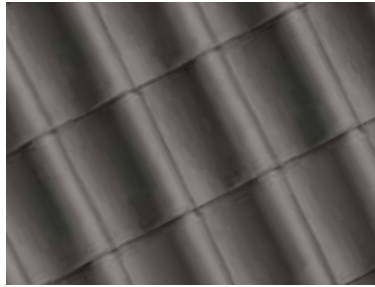
Rustic



Vieilli Red

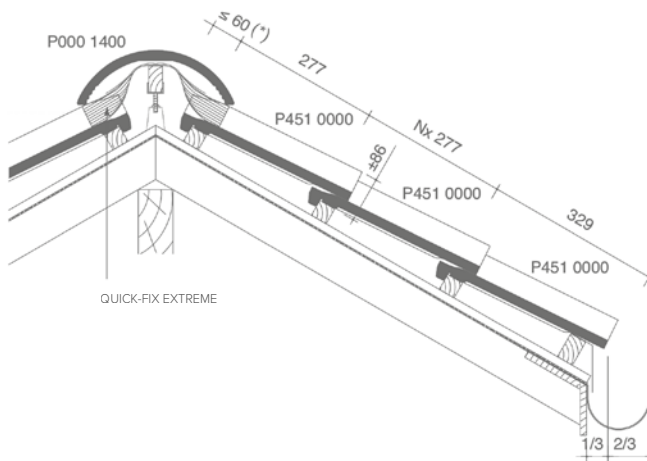


Braised Blue

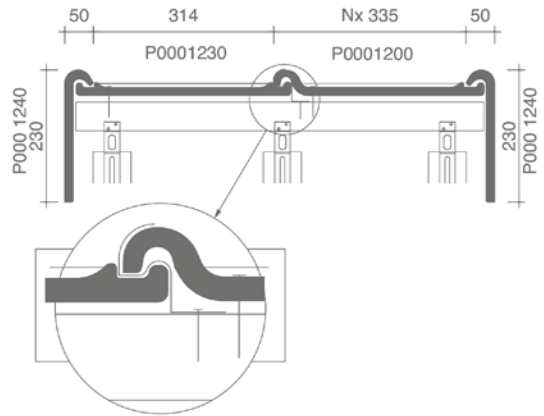


Vieilli Braised Blue

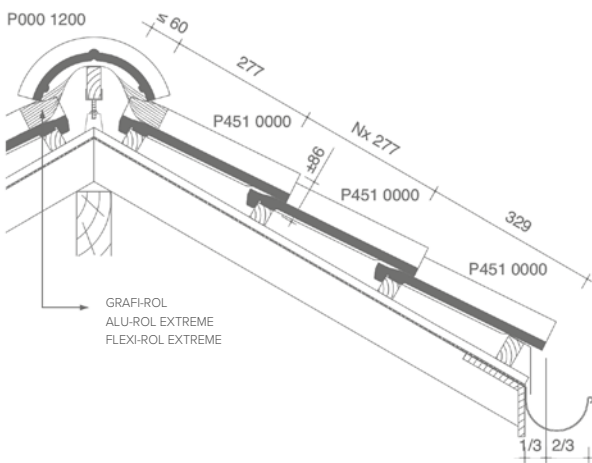
TECHNICAL INFORMATION - LAYING PLANS



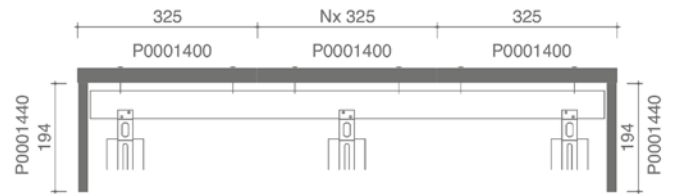
Length-section roof at the height of frost without closure 1400 - quick-fix extreme



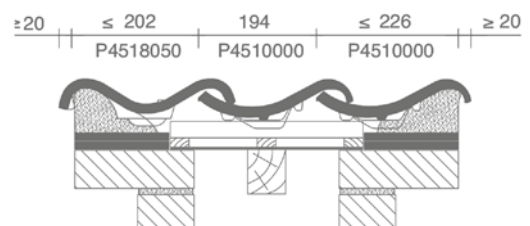
Cross-section roof at frost with closure 1200



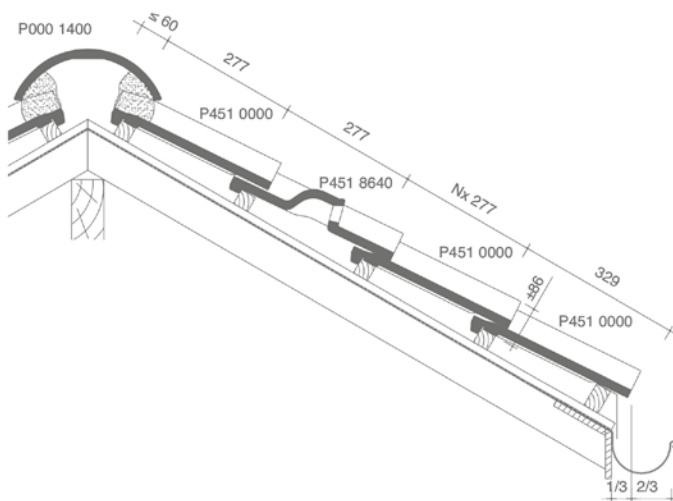
Length-section roof at frost with closure 1200



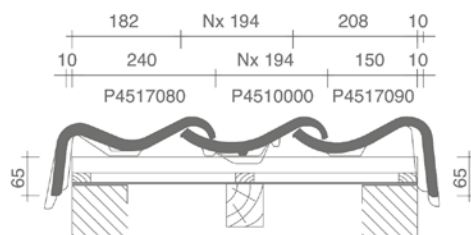
Cross-section roof at the height of frost without closure 1400 - quick-fix extreme



Cross-section roof with double wel pan

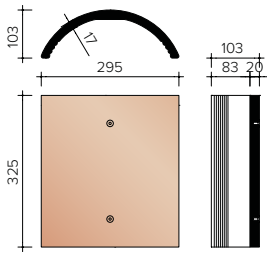


Length-section roof at the height of frost without closure 1400 with ventilation pan-mortarined



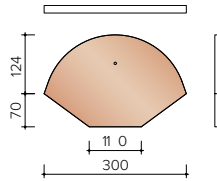
Cross-section roof at pan at the height of facade tile

TECHNICAL INFORMATION

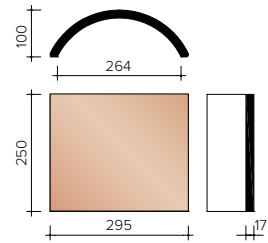


✗

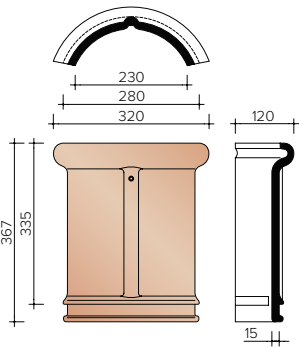
P0001400
3 - 3.1 pieces/Lm
Semicircular - 225 mm



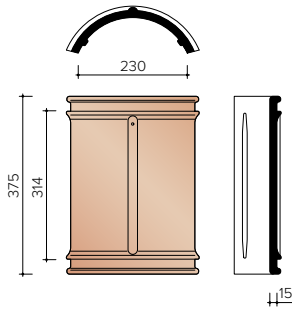
P0001440
Headplate - 255mm



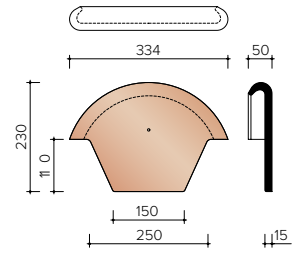
P0000900
4 pieces/Lm Old boom frost



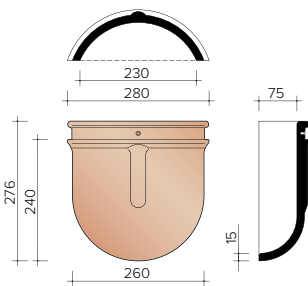
P0001200
3 pieces/Lm Semicircular
frost/northern tree - 225 mm



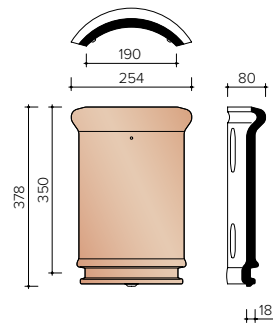
P0001230
Semicircular initial frost -
230 mm



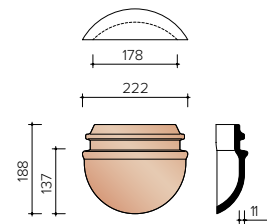
P0001240
Headplate - 230mm



P0001260
Semicircular North Pole -
230 mm



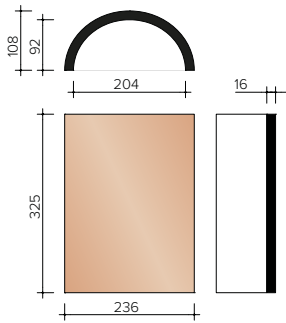
P0003100
3 pieces/Lm Semicircular North
Pole - 190 mm



P0003110
Semicircular North Pole - 190 mm

✗ Dry place with Quick-Fix Extreme

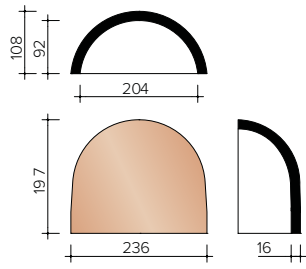
TECHNICAL INFORMATION - GABLE TILES



×

P0003300

3.1 pieces/Lm Semicircular North Pole - 210 mm



×

P0003360

Semicircular North Pole - 210 mm

Quick Fix Extreme

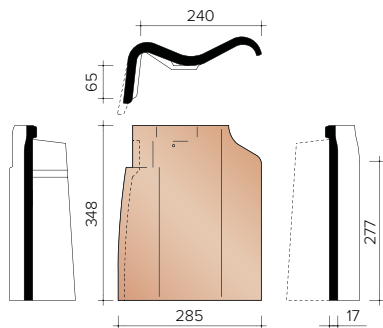
With the Quick-Fix Extreme ventilating under frost you can install frosts without closure, which you normally have to mortar in, dry place.

Done with those annoying mortar splashes that require a lot of cleaning work or cause can give rise to complaints from your client.

The system consists of two parts. On a finely ruffled, micro perforated aluminum roll with acrylic coating, becomes wide non-perforated deck roll fixed in aluminum which protects the micro-perforations against water infiltration.

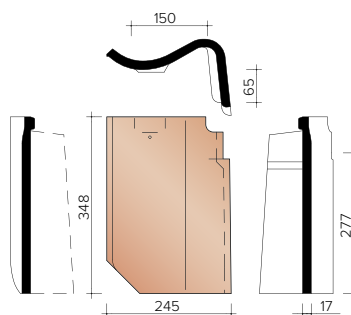
At the bottom is provided the ventilating under frost with an innovative adhesive strip that also allows on misted and cold pans.

- Colours: red (deck roller is brown) and black.
- Width: 320mm
- Package contents: 1 roll of Quick-Fix Extreme of 5 running meters and 40 stainless steel screws (4.5 x 80 mm) with washer and neoprene ring for fastening the princes (2 screws per frost).



P4517080

3.6 pieces/Lm Left facade tile



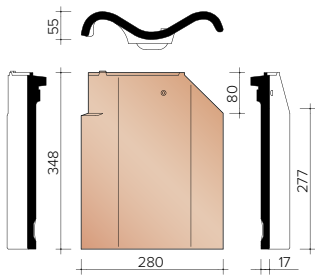
P4517090

3.6 pieces/Lm Right facade tile

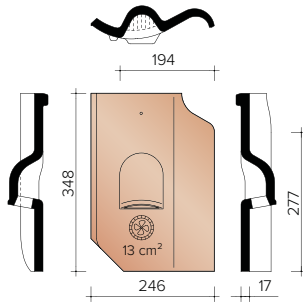
×

Dry place with Quick-Fix Extreme

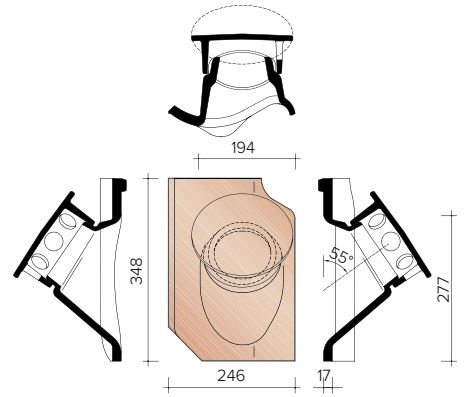
TECHNICAL INFORMATION - OTHER ACCESSORIES



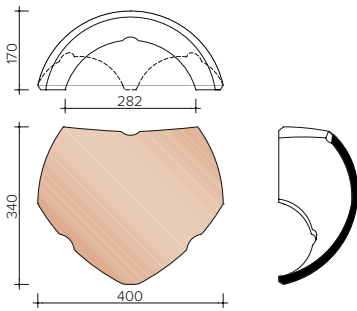
P4518050
3.6 pieces/Lm Double Well Pan



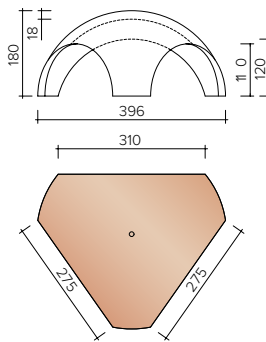
P4518640
Ventilation pan with grid in plastic
- 13 cm²



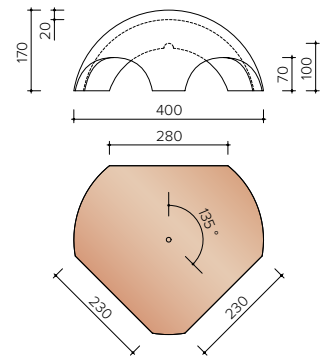
P4518741
Cassette pan kit Ø 100 mm + cap -
95 cm² + connection module +
reducer piece



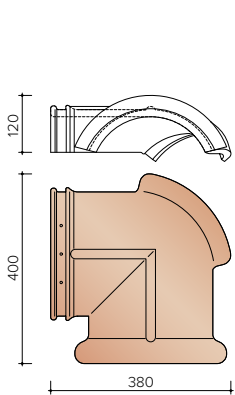
P0005500
Prince's hat between 1 prince 1200 and
2 princes 1200 as a north tree



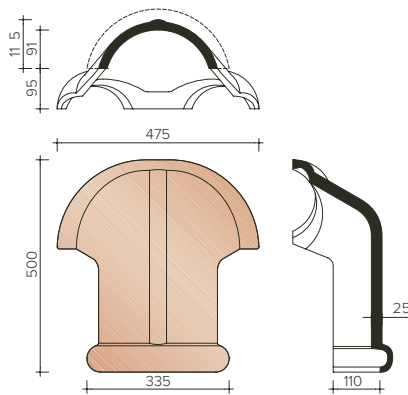
P0005730
Prince's hat between
1 frost 1400 and 2 north trees 3100



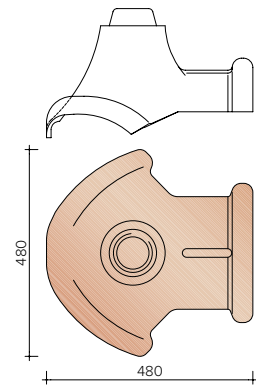
P0005740
Prince's hat between
1 frost 1200 and 2 north trees 3100



P0005120
Connecting piece between
2 princes 1200 and 1 north tree 3100

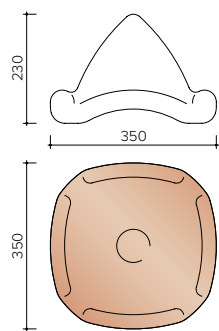


P0005250
Connection piece between 1 frost
1200 and 2 north trees 3100

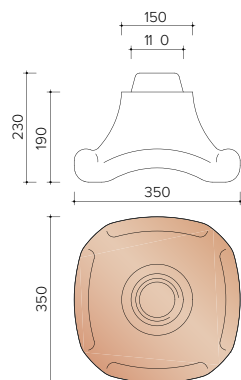


P0005290
Connection piece between 1
frost 1200 and 2 north trees
3100 with ball connection

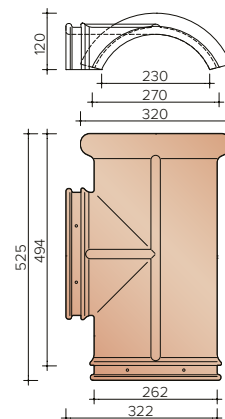
TECHNICAL INFORMATION - OTHER ACCESSORIES



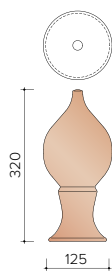
P0005630
Connection piece between 4 north trees 3100



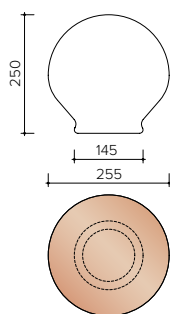
P0005640
Connection piece between 4 north poles 3100 with ball connection



P0005020
Connection piece between 3 kings 1200



P0005930
Piron No. 4



P0005950
Sphere for connector with spherical connection In combination with P0005640 and P0005290



LOHAS
Australia


Wienerberger