

RUSTICA ROOF TILES



LOHAS

Australia



Rustica Ombra

Ceramic accessories for a detailed finish

Continuous adhesive rib for fast and stable placement

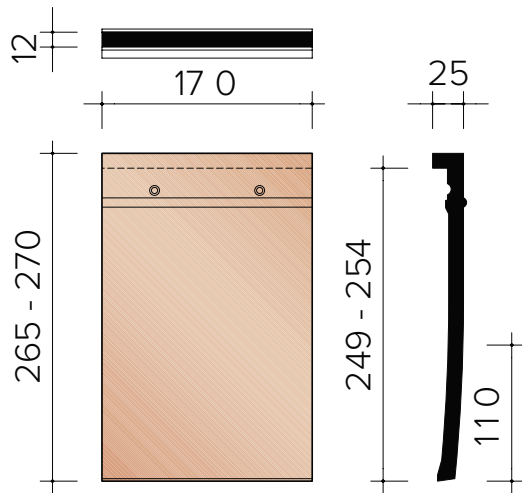
Perfect to combine with other roof tiles from the range



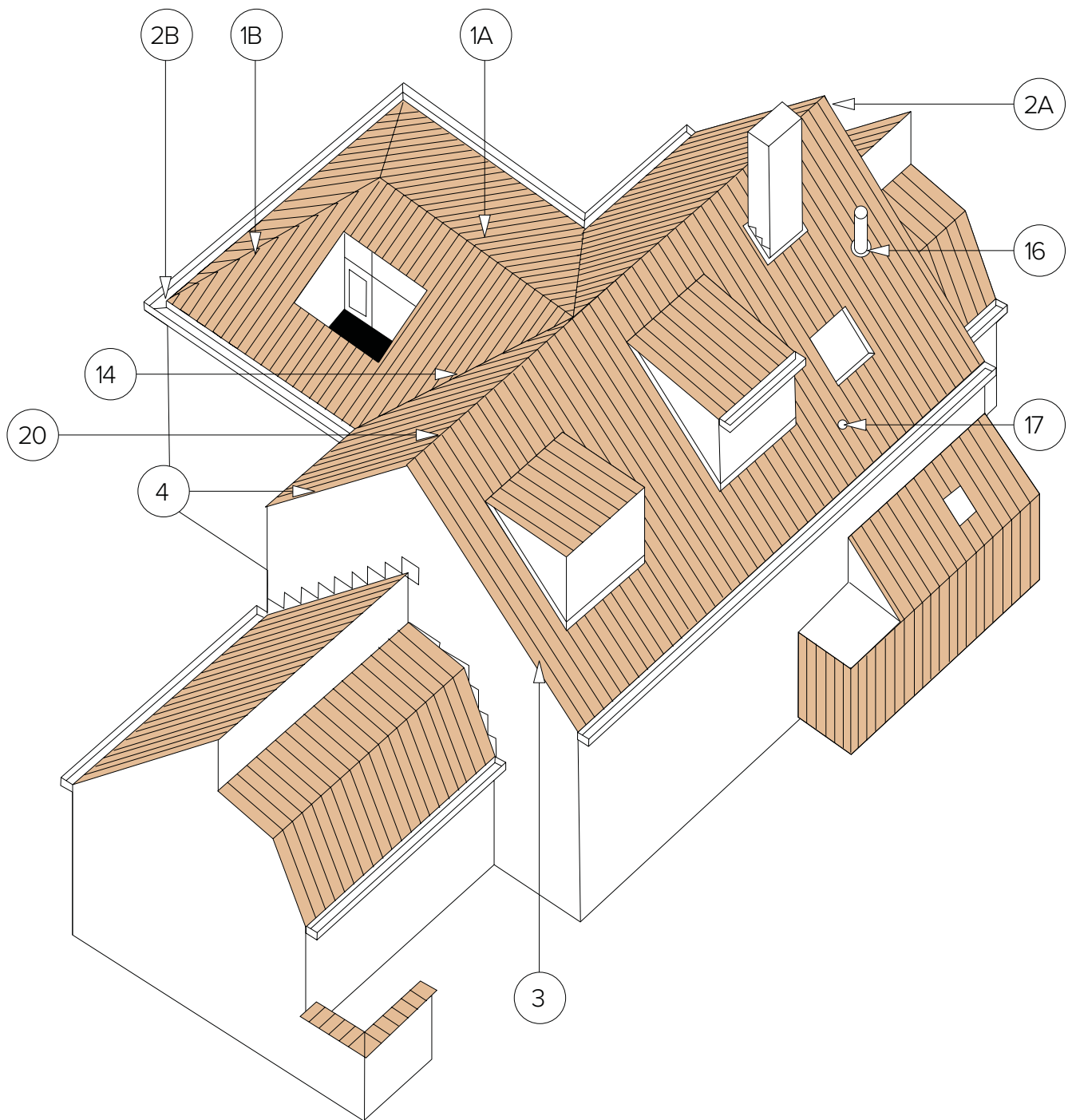
Unevenly shaped cuffs for an authentic look

30 year warranty on frost resistance

TECHNICAL INFORMATION



Definition:	Flat drawn clay tile tile with continuous adhesive rib
Min. roof slope with shelter - Fleece of Fleece Plus: - Fleece Premium:	35° at a batten distance of 110 mm 15° (subject to observance of the instructions in the façade and under roof films brochure)
Batten Distance:	± 110 mm
Width:	± 170 mm [EN 1024]
Number of pieces/m ² :	± 54 pieces with a batten distance of 110 mm
Unit weight:	± 1.07 kg
Weight per m ² :	± 55.8 kg with a batten distance of 110 mm
Breaking load:	> 600 N [EN 538]
Impermeability:	≤ 0,5 cm ³ /cm ² .d [EN 539-1]
Frost resistance:	Frost resistance [EN 539-2]
Placement:	Straight



1A Frost	2900
1B North	3700
2A Head Plate	2940
2B Beginning North	3710
3 Left facade tile	7120
4 Right facade tile	7130
14 One and a half pan	8020
16 Kit cooker + cap	8961
17 Kit Ventilation pan	8611
20 Short pan	8110

* Tip: the tiles must not be placed against each other (± 1 mm distance), to avoid damage to the tiles due to the setting of the supporting structure.

1



3



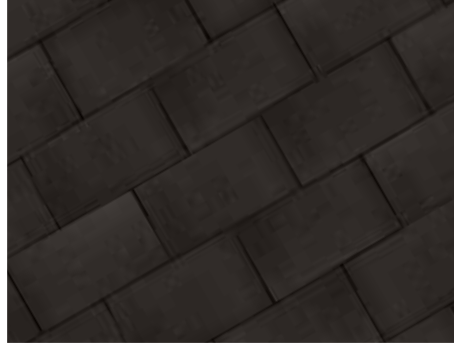
1. Rustica Ombra braised blue

2. Rustica Ombra

COLOUR RANGE



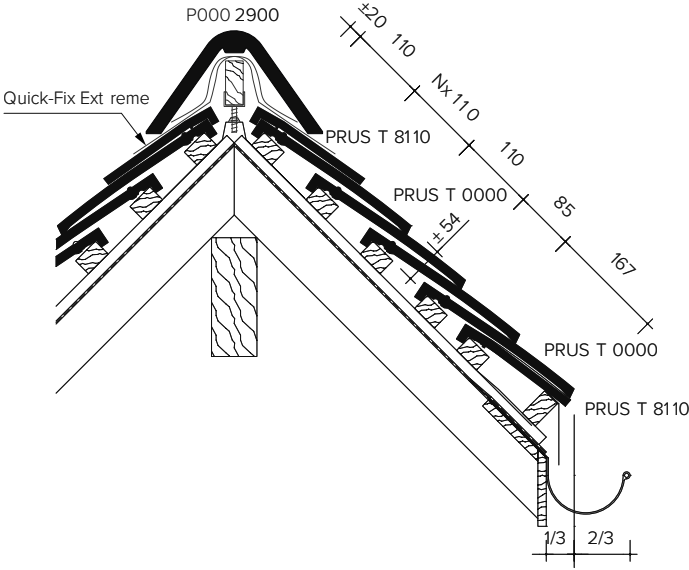
Ombra



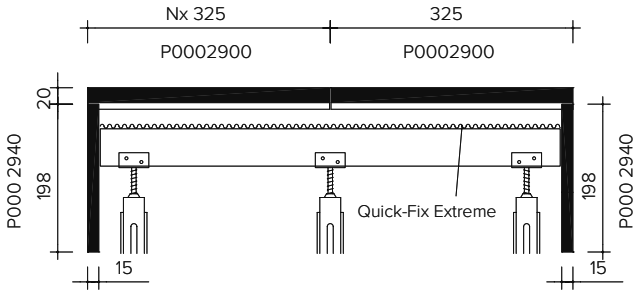
Ombra Blue Braised

TECHNICAL INFORMATION - LAYING PLANS

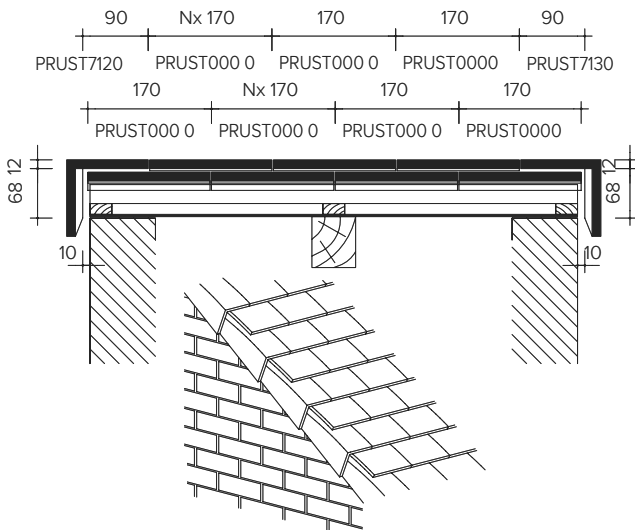
Length-section roof at frost 2900 with quick-fix extreme



Cross-section roof at frost 2900 with quick-fix extreme



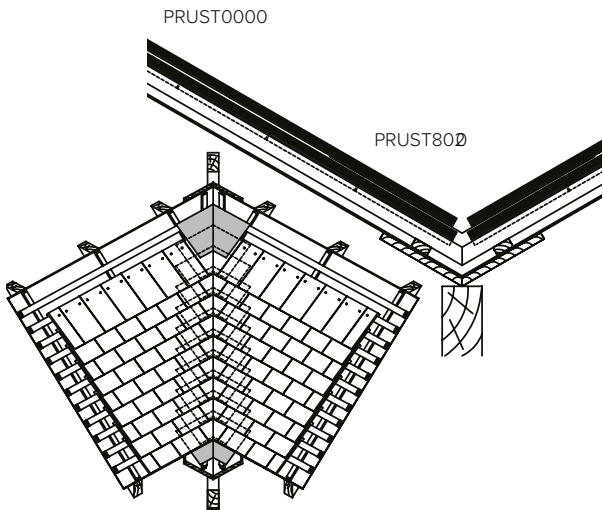
Cross-section roof at the height of facade pan French system



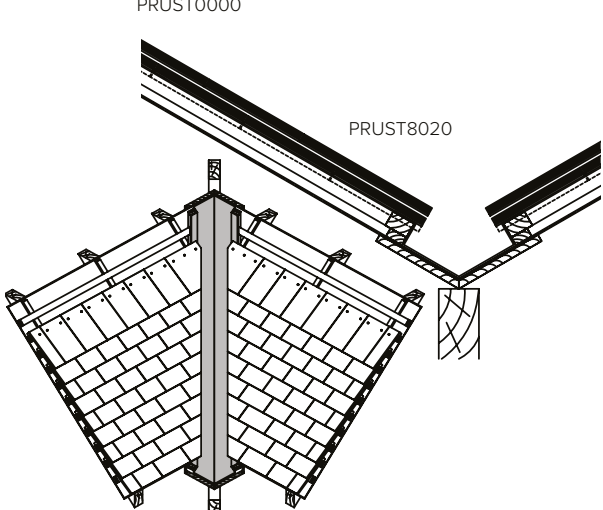
* Tip: the tiles must not be placed against each other (± 1 mm distance). This is to avoid damage to the tiles due to the setting of the supporting structure.

TECHNICAL INFORMATION - LAYING PLANS

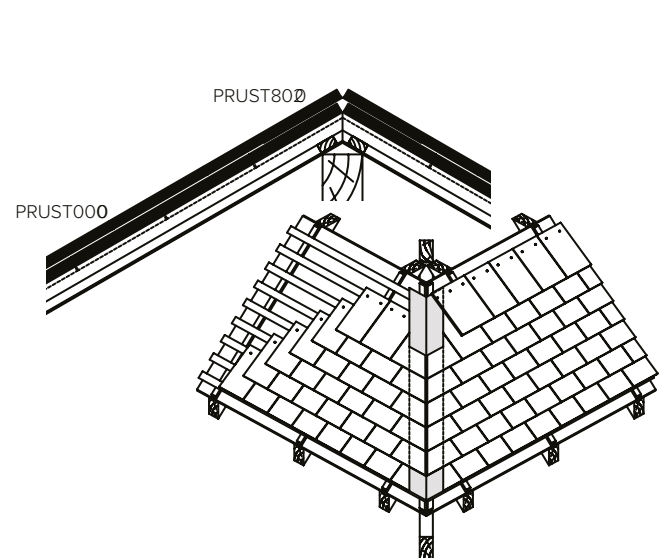
Roof section at the gutter with worked lead replacement Koraflex (plus)



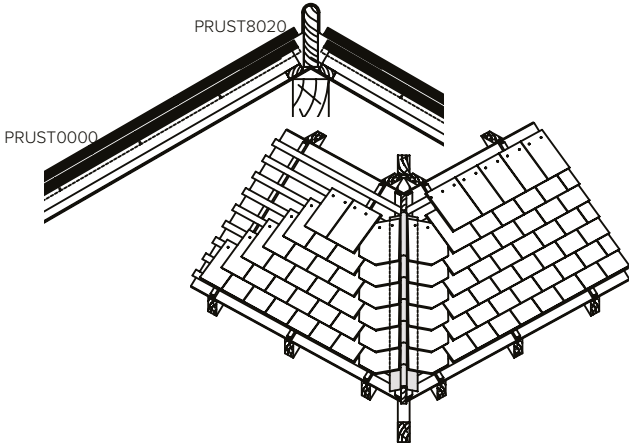
Roof section at the height of gutter in metal



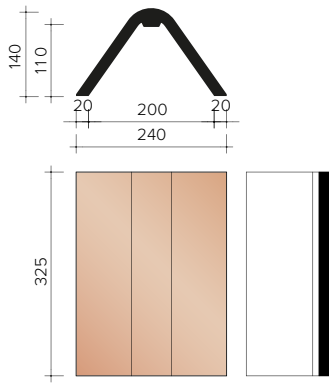
Roof section at north with worked lead replacement Koraflex (plus)



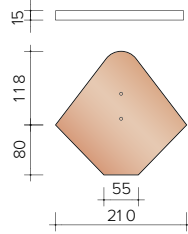
Roof section with flat roof



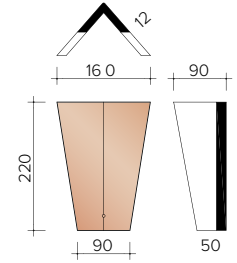
TECHNICAL INFORMATION



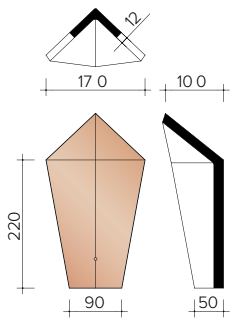
P00029003
Angular frost without closure



P0002940
Head plate for angular frost without closure

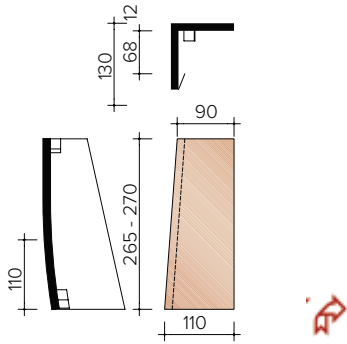


P0003700
Small Angular

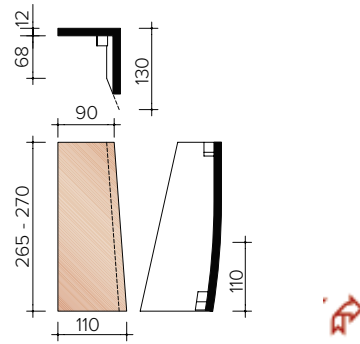


P0003710
Small Angular Beginning

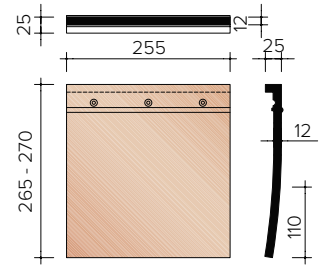
TECHNICAL INFORMATION - CLADDING AND OTHER ACCESSORIES



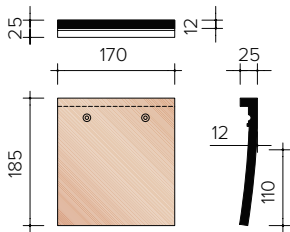
PRUST7120
Special left half facade tile



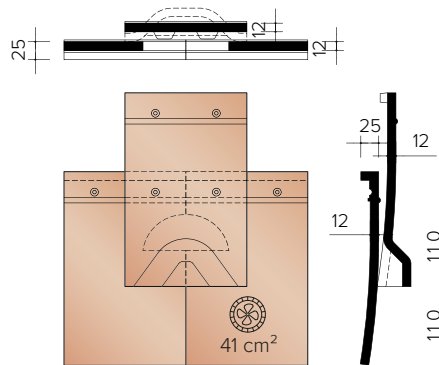
PRUST7130
Special right half facade tile



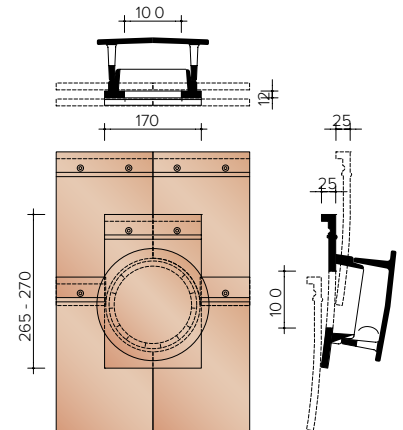
PRUST8020
One and a half pan



PRUST8110
Korte pan



PRUST8611



PRUST8961



LOHAS

Australia

