

STORM PAN 44 ROOF TILES



LOHAS
Australia



Storm Pan 44 Rustic



In possession of the ecolabel natureplus* and DUBOkeur**

Fits any style of building due to its neutral design

Largest range of attachments

Model with ancient tradition

Due to its size, it is perfectly suitable for any roof

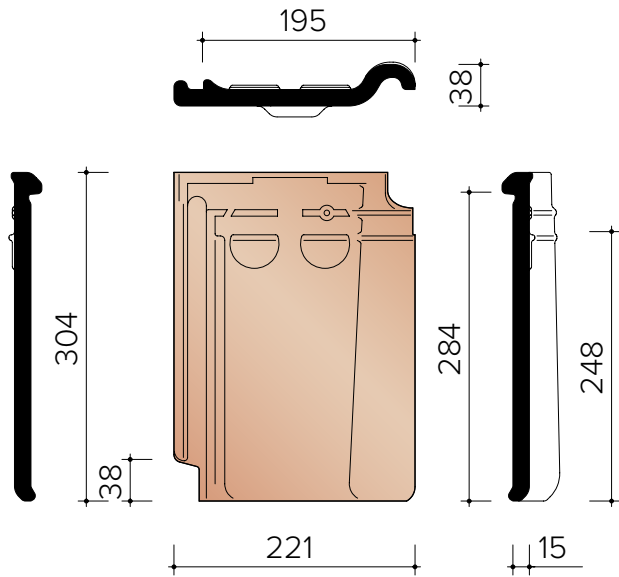
BENOR quality mark

Specific attachments for finishing sarking roofs

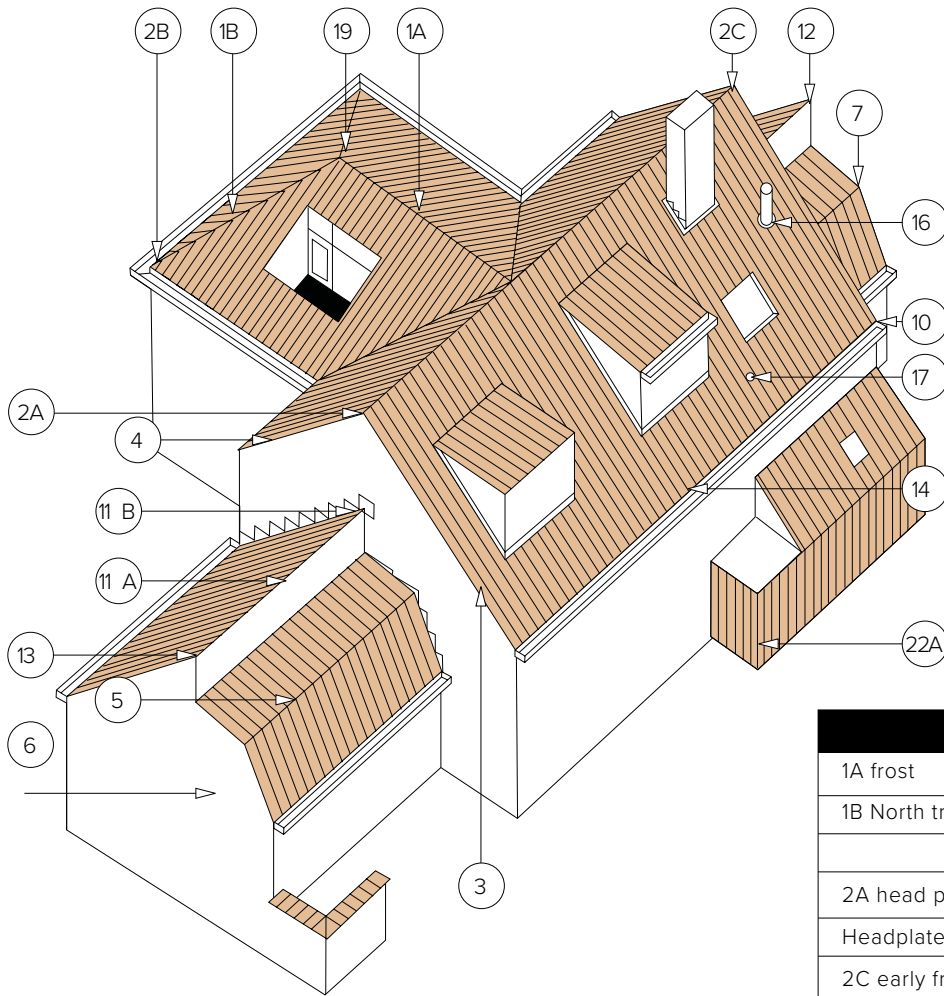
Largest color palette of engobes, glossy and matt glazes, blue smothered to patinated colors

30 year warranty on frost resistance, incl. replacement costs when using Koramic ventilating under frosts

TECHNICAL INFORMATION



Definition:	Ceramic pan with soft wave, single side closure and double head closure
Min. roof slope with shelter - Fleece of Fleece Plus: - Fleece Premium:	22° 15°, provided that the instructions in the brochure Façade and roof underlayments
Useful length (bar spacing):	± 248 mm
Useful width:	± 195
Number of pieces/m ² :	± 20.7
Unit weight:	± 1.75 kg* / ± 1.91 kg
Weight per m ² :	36.20 kg*/ 39.50 kg
Breaking load:	> 1200 N
Impermeability:	≤ 0,5 cm ³ /cm ² .d
Frost resistance:	Frost resistance
Placement:	Straight



1A frost	1200
1B North tree	1200
	3100
2A head plate	1240
Headplate for Sarking	1241
2C early frost	1230
2B Beginning North Tree	1260
	3110
3 Left facade tile	7080
Left facade panel sarking	7060
Pan with double well	8050
4 Right facade tile	7090
Right facade panel sarking	7070
5 Articulated pan	8200
three-quarter pan	8230
6 Left gable hinged tile	7280
Articulated pan with double well	8250
7 Right gable tile	7290
11A hook frost	8500
Three-quarter crochet frost	8530
11B Crochet frost with double well	8550
12 Left gable hook frost	7580
13 Right gable hook frost	7590
14 3/4 pan	8030
16 Kit cooker + cap	8741
frying pan	8740
Cap for cooker	8750
17 Ventilation and hook feed pan	8963
19 prince hat	5740
	5500
22A corner piece for facade cladding	8870

1



2



3



4



5



6



1. Storm Pan 44 Old Latem Red & Old Latem Blue braised
2. Storm Pan 44 Black Glazed
3. Storm Pan 44 Old Latem Braised Blue
4. Storm Pan 44 Natural Red
5. Storm Pan 44 Rustic & Old Copper
6. Storm Pan 44 Anthracite

COLOUR RANGE



Natural Red 600



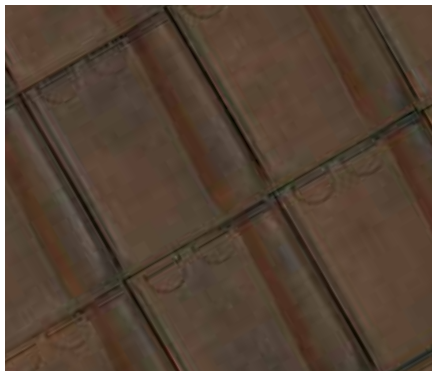
Amaranth 848



Violin 869



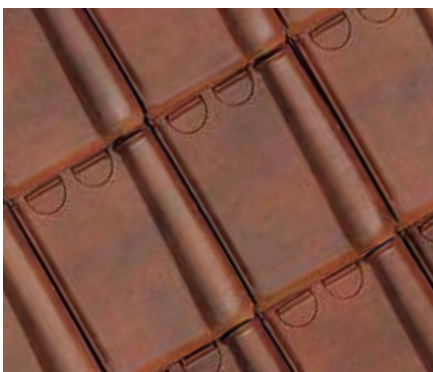
Rustic 872



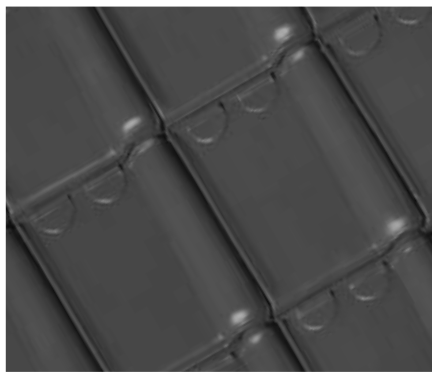
Old Copper 706



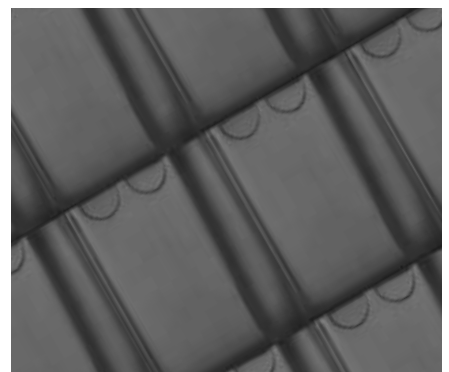
Anthracite 736



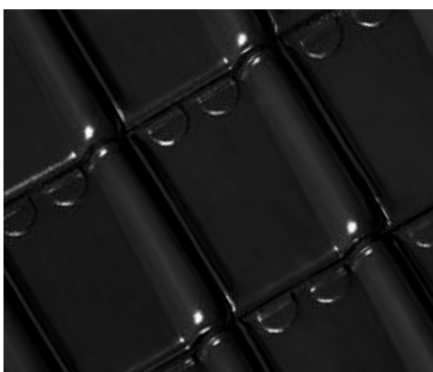
Luster 877



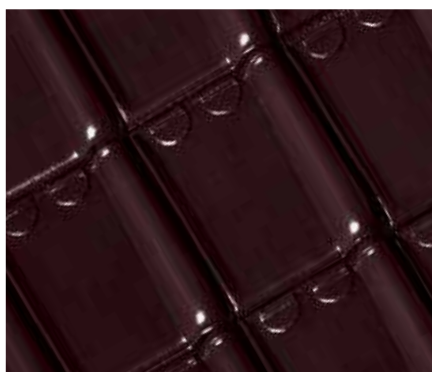
Slate Colour Matte Glazed 705



Braised Blue 706

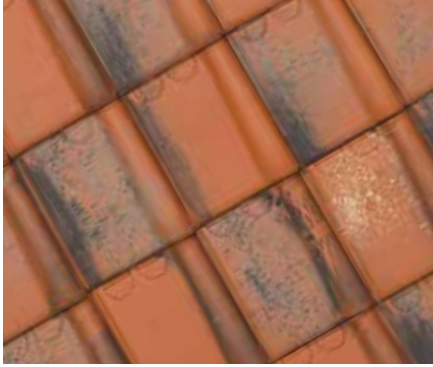


Black Glazed 738

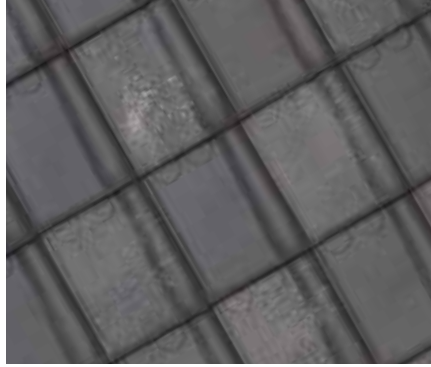


Wine red glazed 614

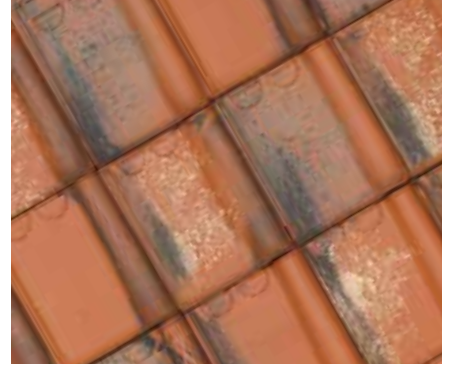
WEATHERED COLOUR RANGE



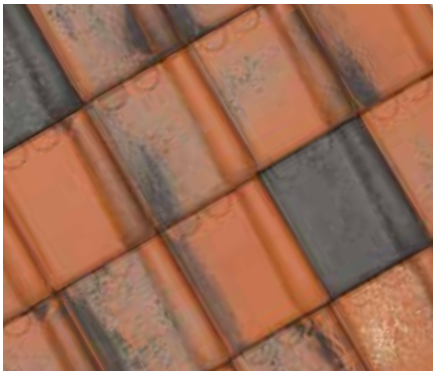
Old Latem Red 879



Old Latem Blue Braised 721



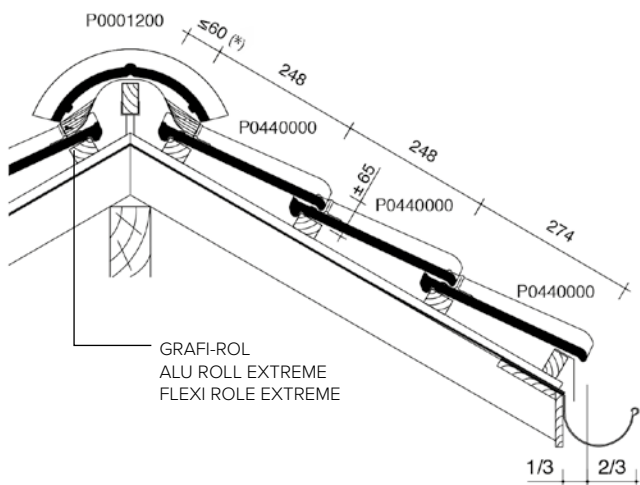
Cottage 611



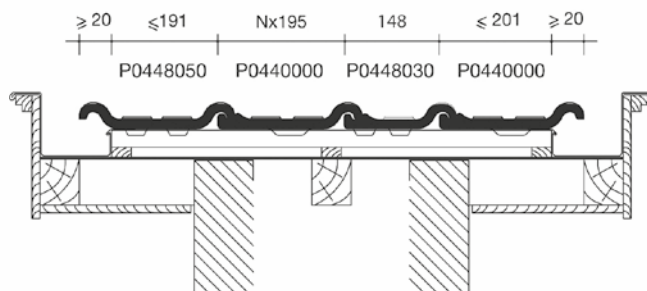
Mix of Old Latem Red, Cottage and
Blue Braised

TECHNICAL INFORMATION - LAYING PLANS

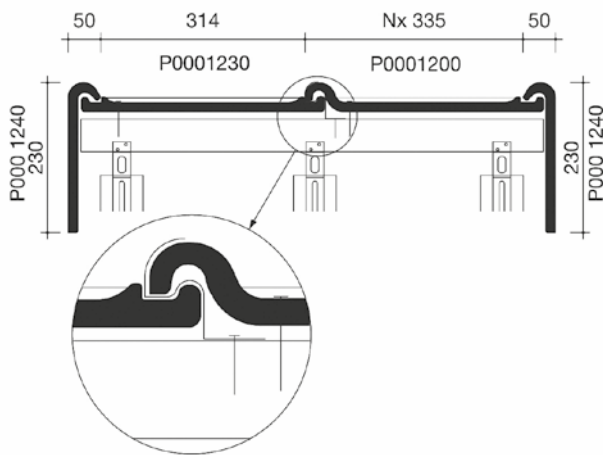
Length-section roof at frost 1200



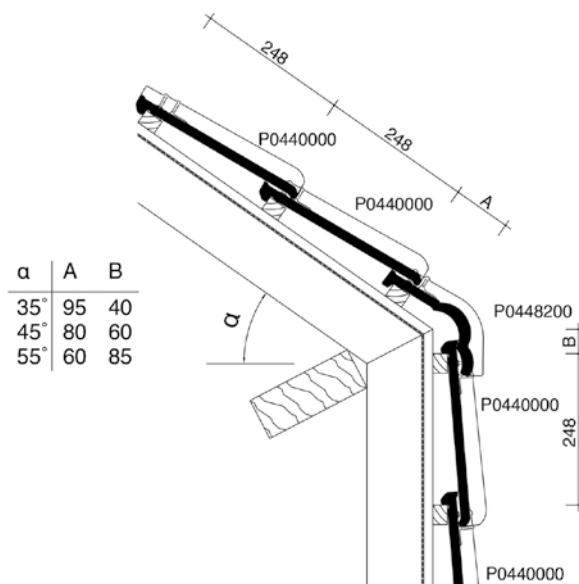
Cross-section roof with double wel pan



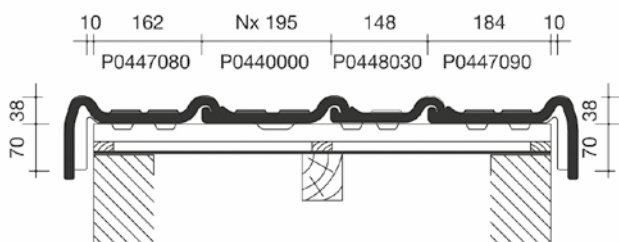
Cross-section roof at frost 1200



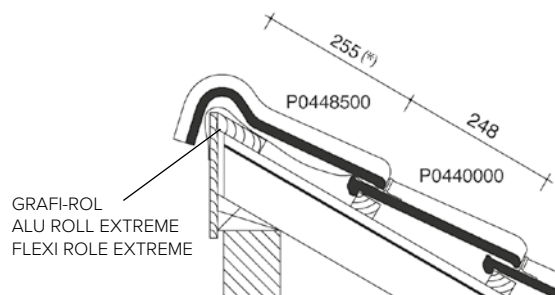
Length-section roof at the height of knikpan



Cross-section roof at the height of facade tiles



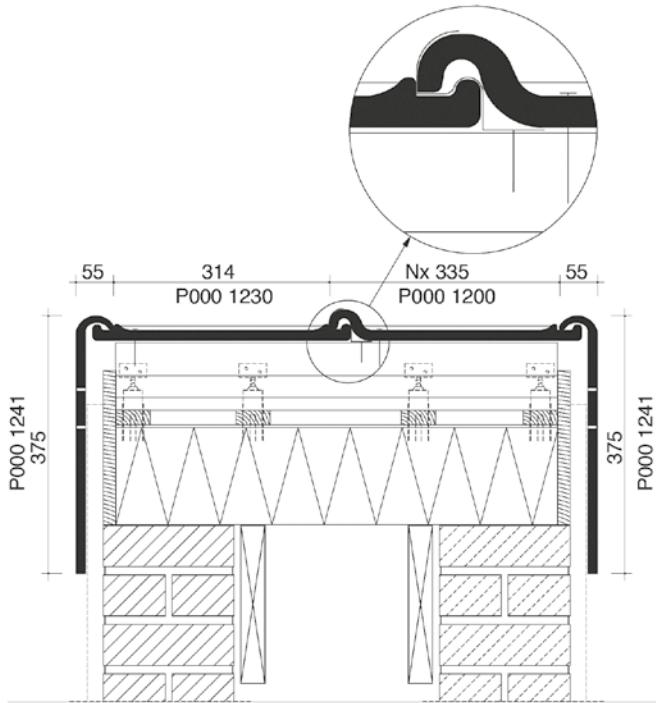
Length-section roof at hook frost



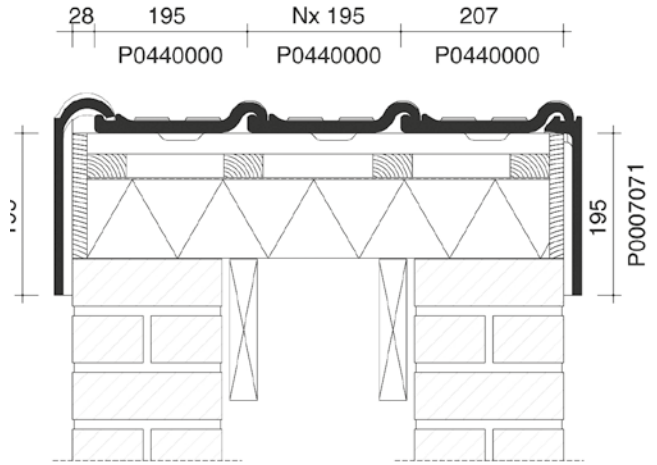
(*) The distance depends on the roof pitch and the section of counter battens and tile battens and must be determined on site

TECHNICAL INFORMATION - LAYING PLANS

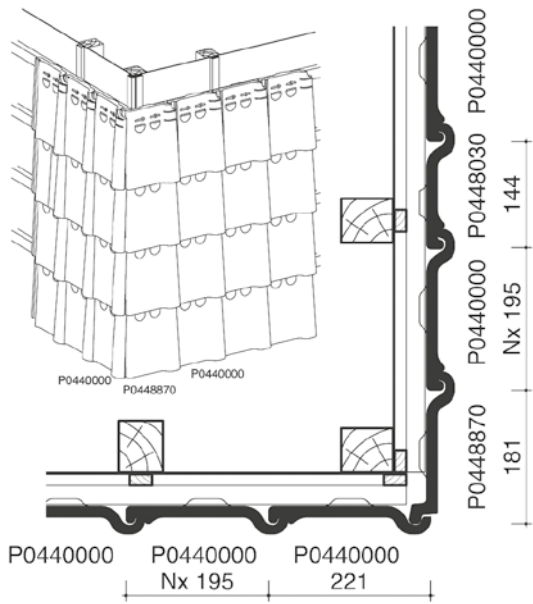
Cross-section roof at frost 1200 with facade panels for sarking



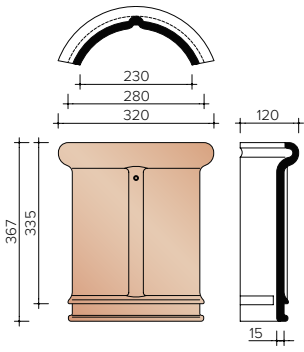
Cross-section roof at the height of facade panels for sarking



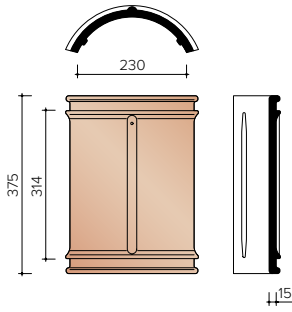
3D drawing facade cladding with section



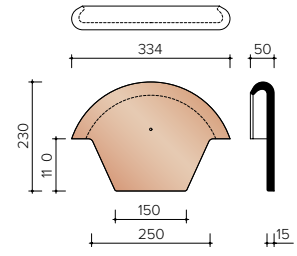
TECHNICAL INFORMATION



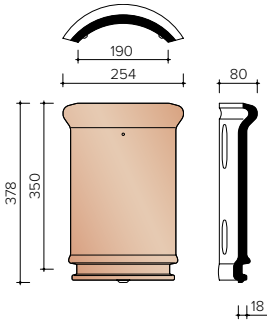
P0001200
3 pieces/Lm Semicircular
frost/northern tree - 230 mm



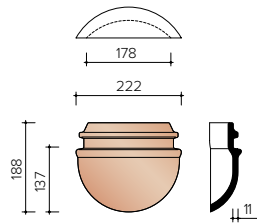
P0001230
Semicircular initial frost - 230 mm



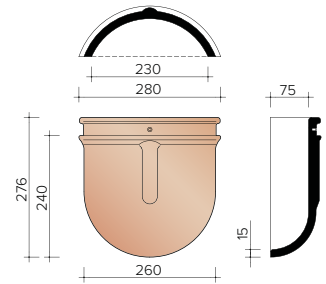
P0001240
Head plate - 230 mm



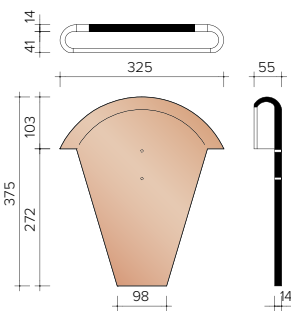
P0003100
3.1 pieces/Lm
Semicircular North Pole - 190 mm



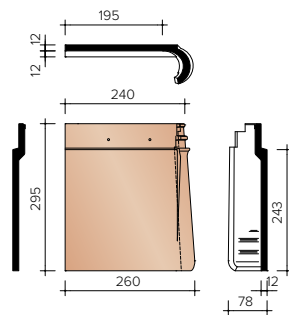
P0003110
Semicircular North Pole - 190 mm



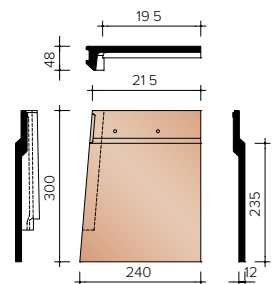
P0001260
Semicircular North Pole - 230 mm



P0001241
Head plate for sarking



P0007060
4.1 pieces/Lm
Left facade panel for sarking



P0007070
4.1 pieces/Lm
Right facade panel for sarking

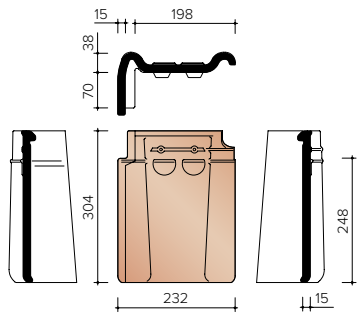
&

&

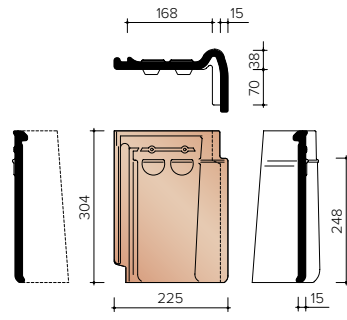
&

& Top plate and facade plates sarking to be used together

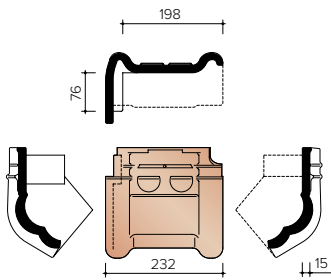
TECHNICAL INFORMATION - CLADDING TILES



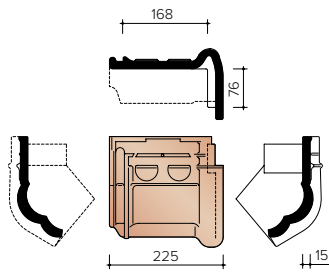
P0447080
4.1 pieces/Lm
Left facade tile



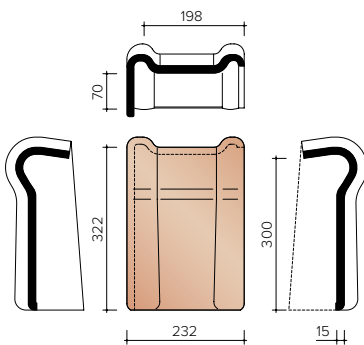
P0447090
4.1 pieces/Lm
Right facade tile



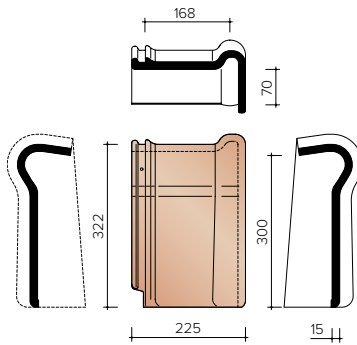
P0447280
Left gable tile



P0447290
Right gable tile

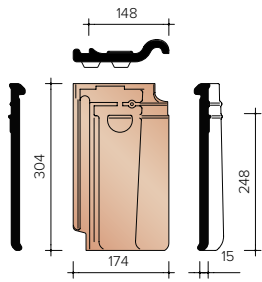


P0447580
Left gable hook frost

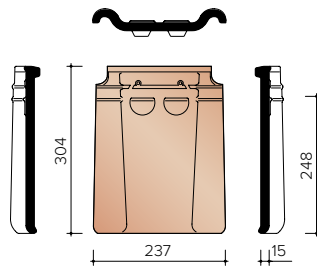


P0447590
Right gable hook frost

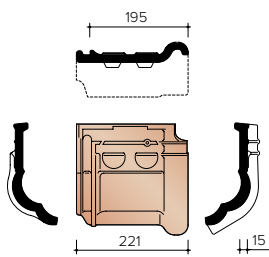
TECHNICAL INFORMATION - OTHER ACCESSORIES



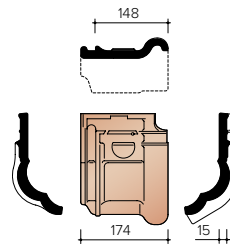
P0448030
4.1 pieces/Lm 3/4 Pan



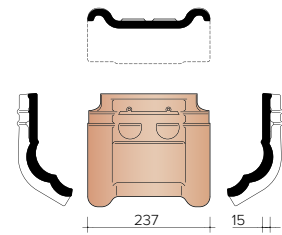
P0448050
4.1 pieces/Lm pan with double well



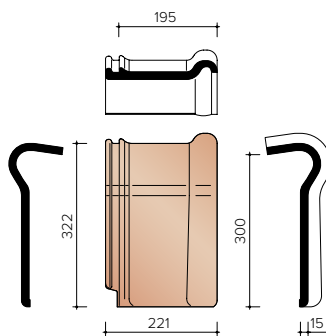
P0448200
5.2 pieces/Lm Articulate Pan



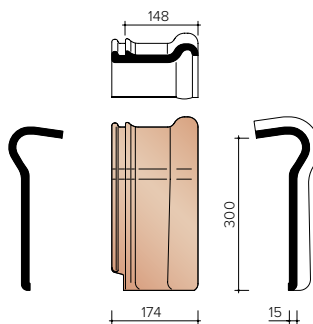
P0448230
Three-quarter pan



P0448250
Articulated pan with double well

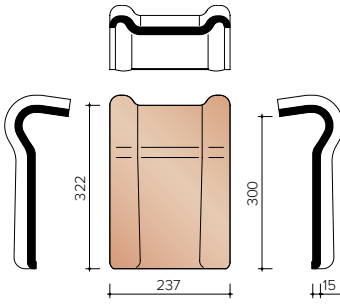


P0448500
5.2 pieces/Lm
Hook frost



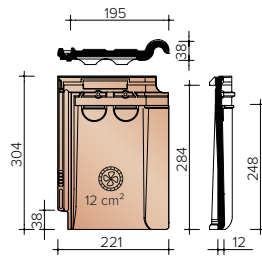
P0448530
Three-quarter crochet frost

TECHNICAL INFORMATION - OTHER ACCESSORIES



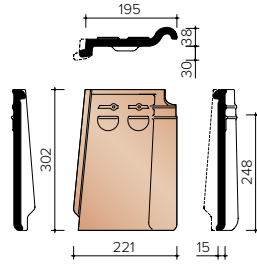
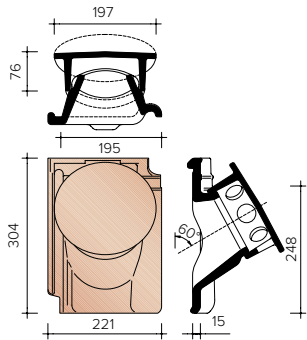
P0448550

Crochet frost with double well



P0448610

Ventilation and Hook Transit Pan - 12 cm2

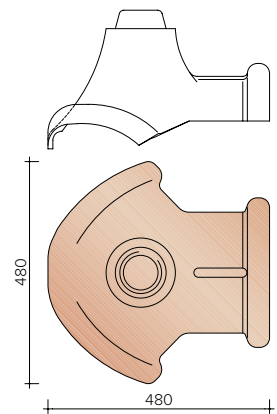
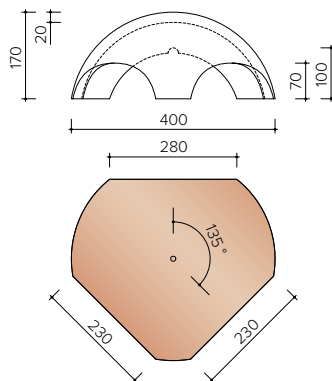
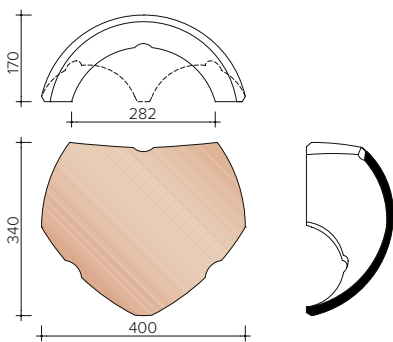


P0448741

Kit cooker pan Ø 100 mm + cap - 95 cm2 + connection module + gear unit piece

P0448870

4.1 pieces/Lm
Corner piece



P0005500

Frost hat between 1 frost 1200 and 2 princes 1200 as north tree

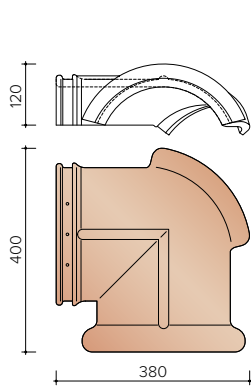
P0005740

Frost hat between 1 frost 1200 and 2 north trees 3100

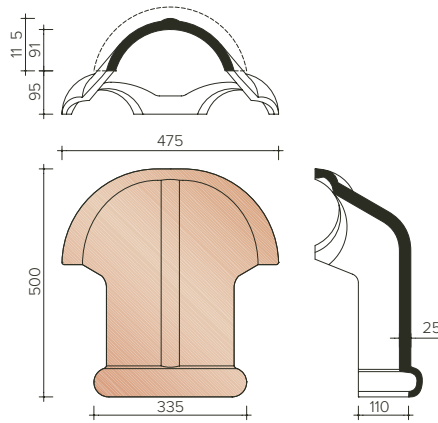
P0005290

Connection piece between 1 frost 1200 and 2 north trees 3100 with ball connection

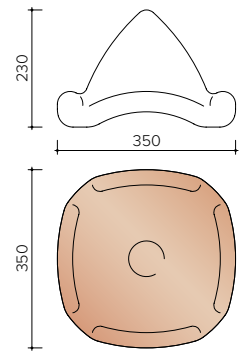
TECHNICAL INFORMATION - OTHER ACCESSORIES



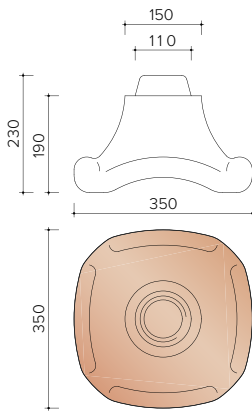
P0005120
Connection piece between 2 kings
1200 and 1 north tree 3100



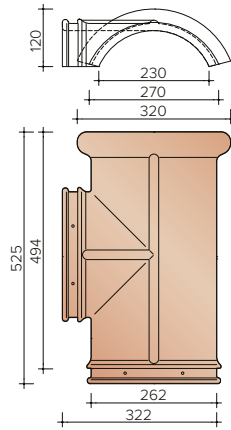
P0005250
Connection piece between 1 frost
1200 and 2 north trees 3100



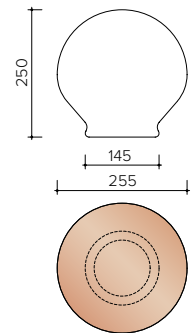
P0005630
Connection piece between 4 north
trees 3100 without bulb connection



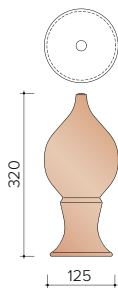
P0005640
Connection piece between 4 north
trees 3100 with bulb connection



P0005020
Connection piece between 3 kings
1200



P0005950
Sphere for connector with bulb
connection



P0005930
Piron No. 4



LOHAS

Australia

