

STORM PAN 993 ROOF TILES

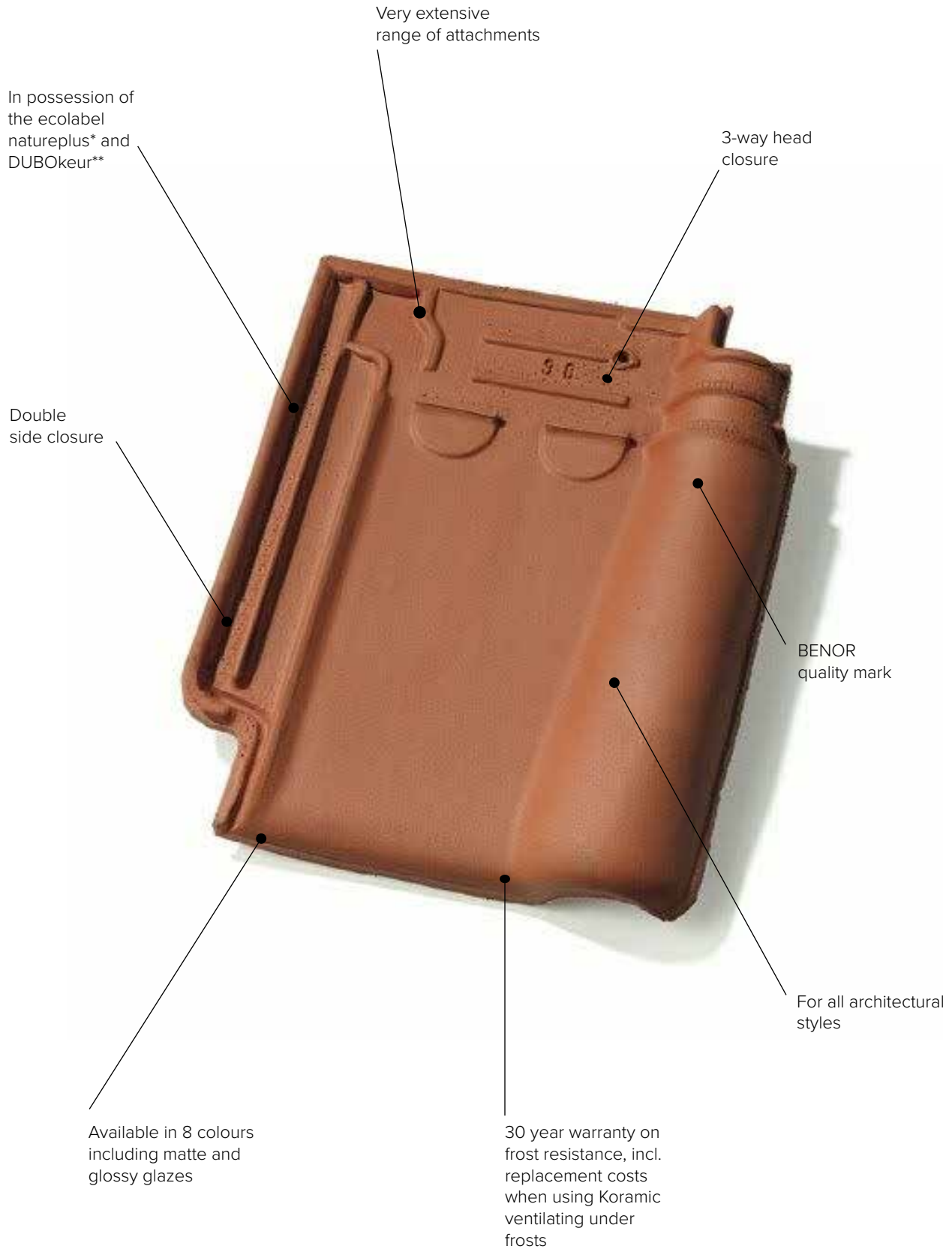


LOHAS

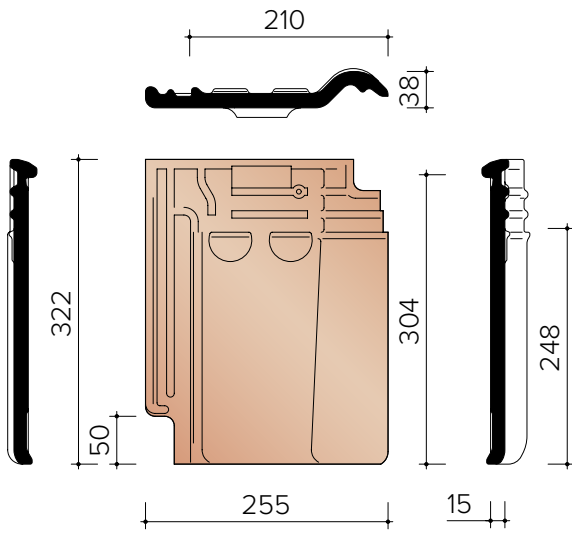
Australia



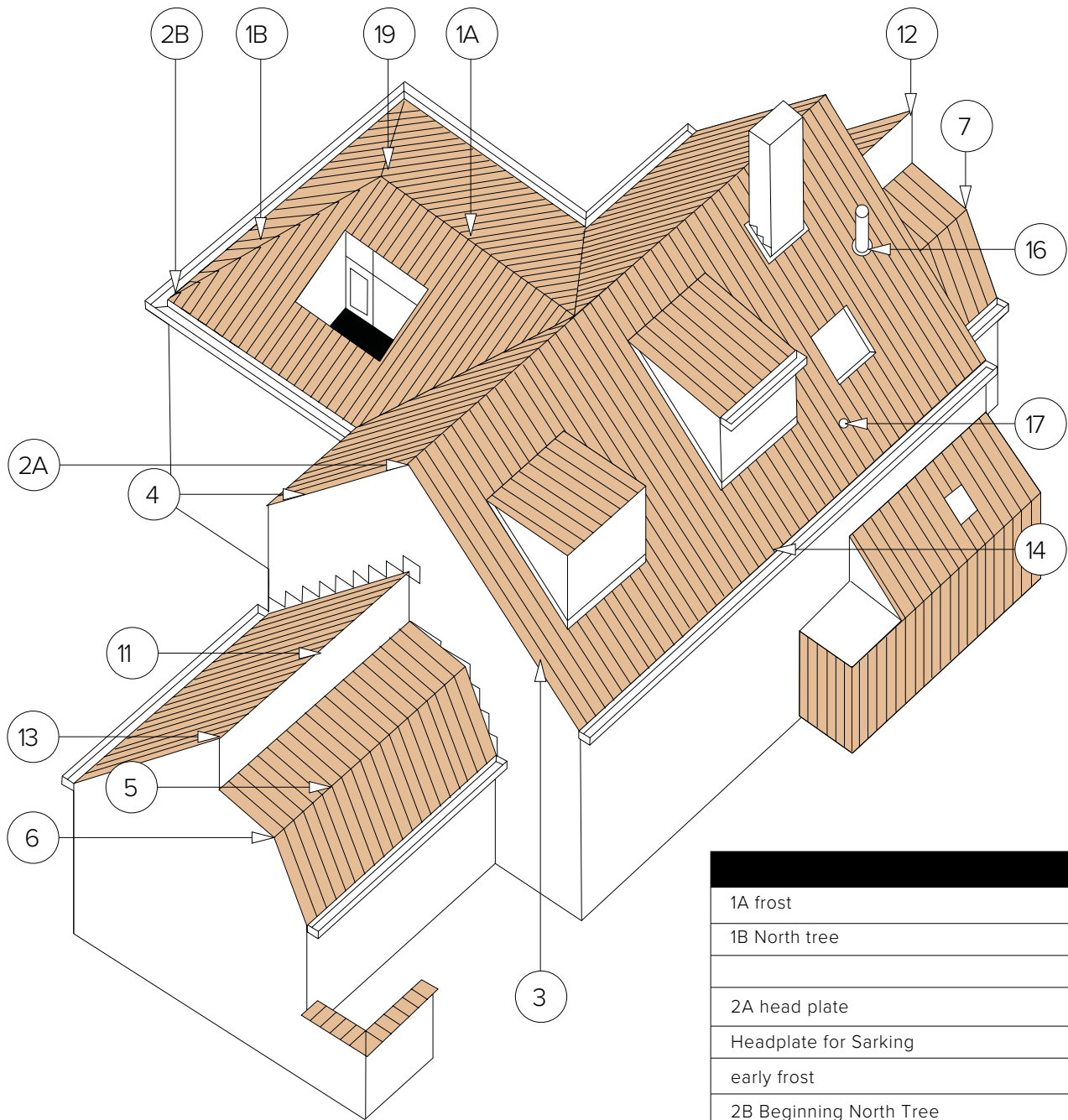
Storm Pan 993 Rustic



TECHNICAL INFORMATION



Definition:	Ceramic pan with soft wave, double sideclosure and triple head closure.
Min. roof slope with shelter	
- Fleece of Fleece Plus:	20°
- Fleece Premium:	15°, subject to observance of the instructions in the Façade and underroof films brochure
Useful length (bar spacing):	± 248 mm
Useful width:	± 210
Number of pieces/m ² :	± 19.2
Unit weight:	± 12.02 kg
Weight per m ² :	± 38.8 kg
Breaking load:	> 1200 N
Impermeability:	≤ 0,5 cm ³ /cm ² .d
Frost resistance:	Frost resistance
Placement:	Straight



1A frost	1200
1B North tree	1200
	3100
2A head plate	1240
Headplate for Sarking	1241
early frost	1230
2B Beginning North Tree	1260
	3110
3 Left facade tile	7080
Left facade panel sarking	7060
4 Right facade tile	7090
Right facade panel sarking	7070
5 Articulated pan	8200
6 Left gable hinged tile	7280
7 Right gable tile	7290
11 hook frost	8500
12 Left gable hook frost	7580
13 Right gable hook frost	7590
14 3/4 pan	8030
16 Kit cooker + cap	8741
17 ventilation and hook transit pan	8610
19 prince hat	5740
	5500

1



2



3



4



5



1. Storm Pan 993 Brown Glazed 670
2. Storm Pan 993 Slate Colour Matte Glazed 705
3. Storm Pan 993 Anthracite 736
4. Storm Pan 993 Rustic 872
5. Storm Pan 993 Natural Red 600

COLOUR RANGE



Natural Red 600



Rustic 872



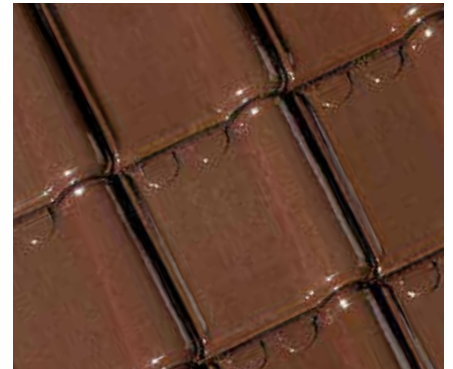
Anthracite 736



Slate Colour Matte Glazed 705



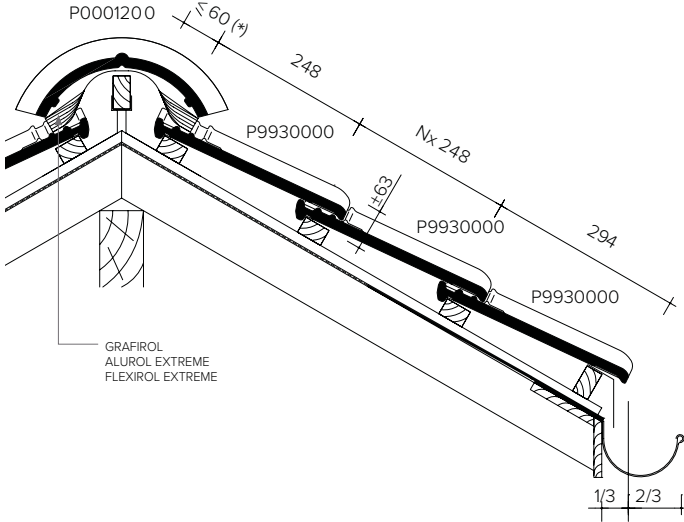
Black Glazed 738



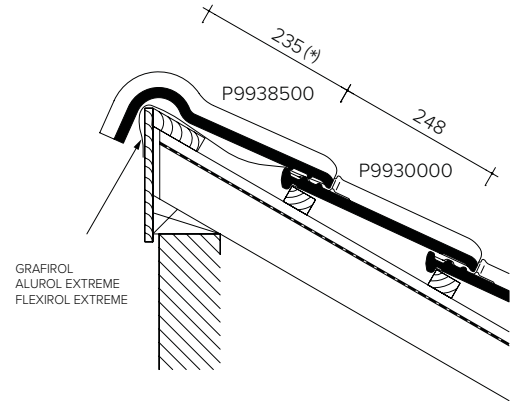
Brown Glazed 670

TECHNICAL INFORMATION - LAYING PLANS

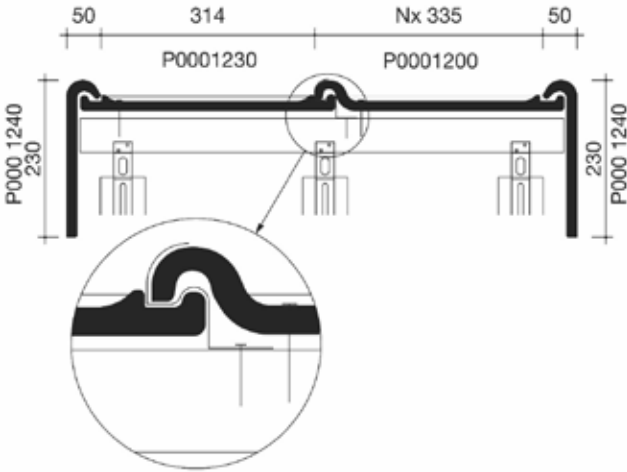
Length-section roof at frost 1200



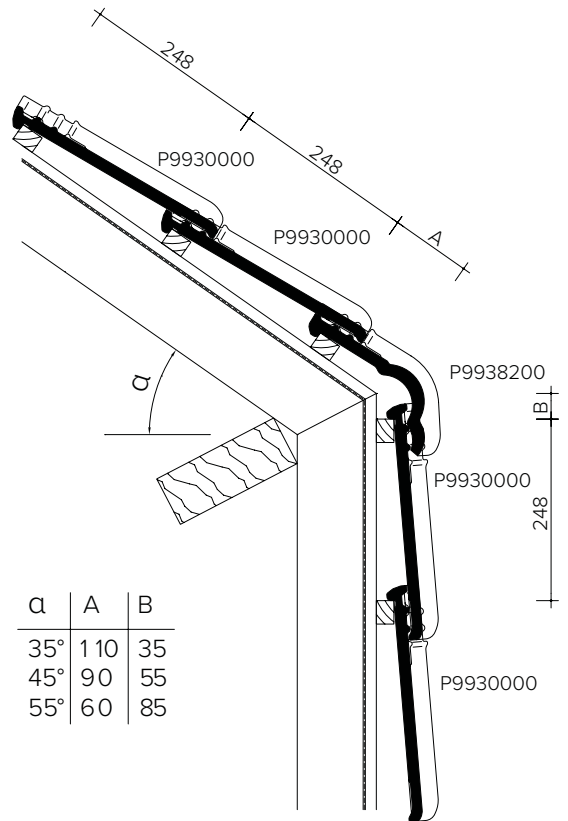
Length-section roof at hook frost



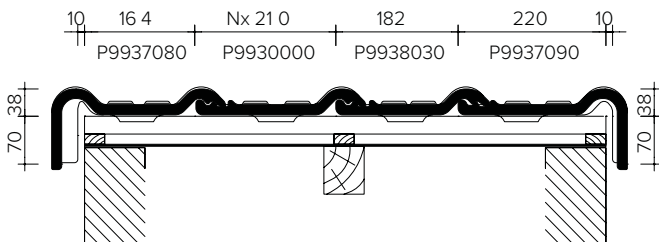
Cross-section roof at frost 1200



Length-section roof at the height of knikpan



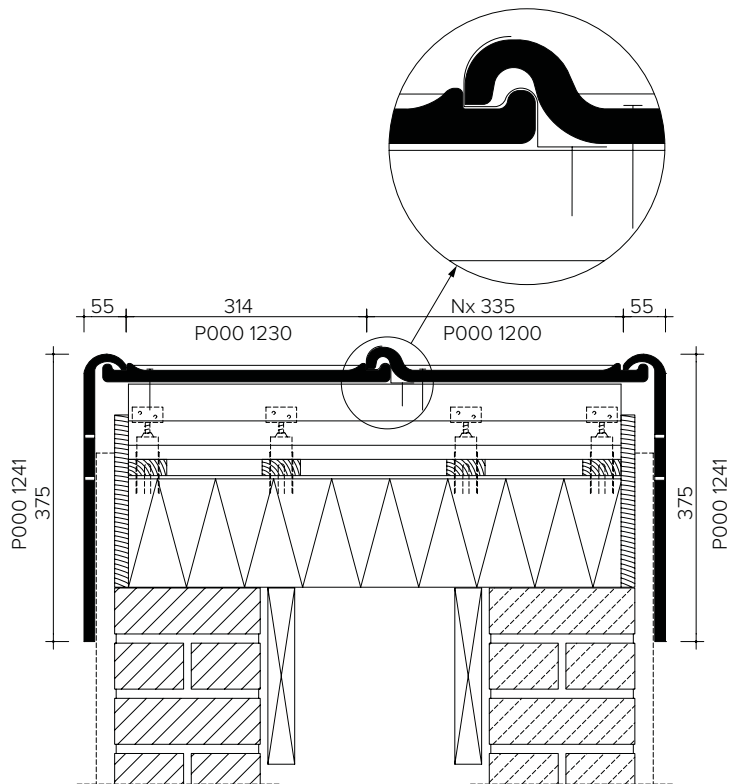
Cross-section roof at the height of facade tiles



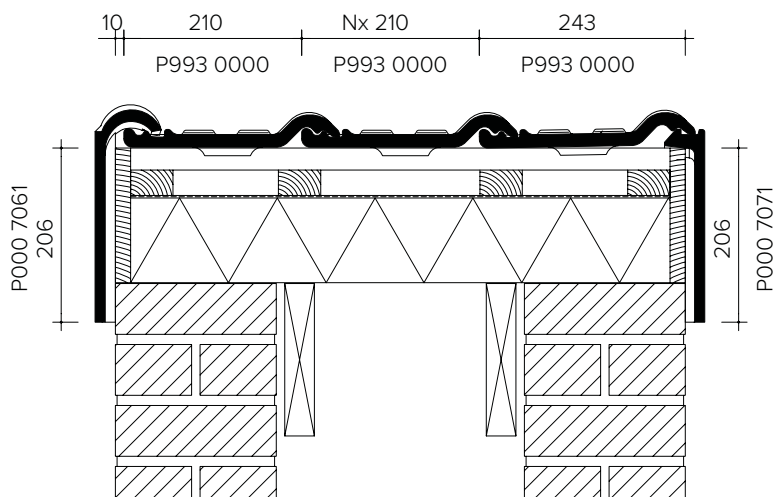
(*) The distance depends on the roof pitch and the section of counter battens and tile battens and must be determined on site.

TECHNICAL INFORMATION - LAYING PLANS

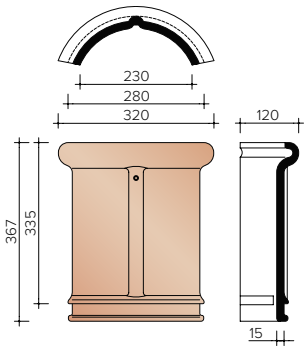
Cross-section roof at frost with P1200 in combination with FA geade panels for sarking



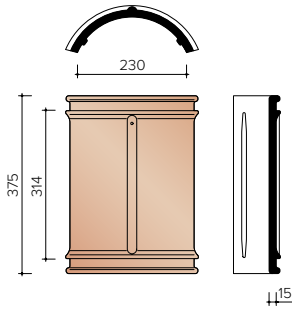
Cross-section roof at the height of sarking facade panels



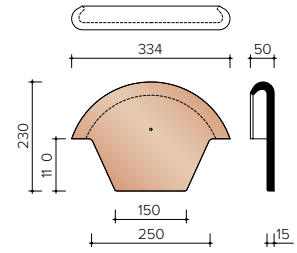
TECHNICAL INFORMATION



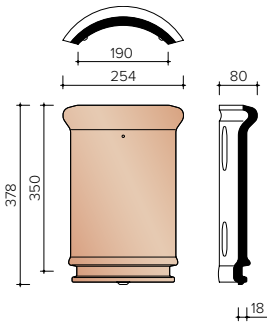
P0001200
3 pieces/Lm Semicircular
frost/northern tree - 230 mm



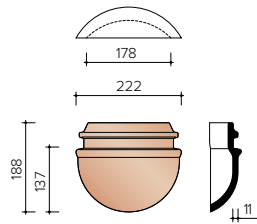
P0001230
Semicircular initial frost - 230 mm



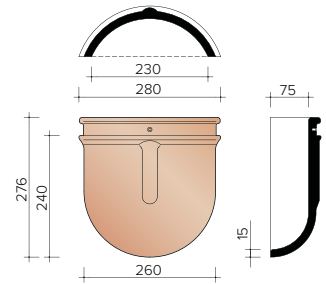
P0001240
Head plate - 230 mm



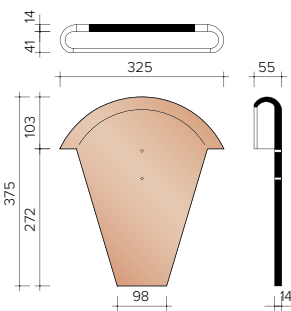
P0003100
3.1 pieces/Lm
Semicircular North Pole - 190 mm



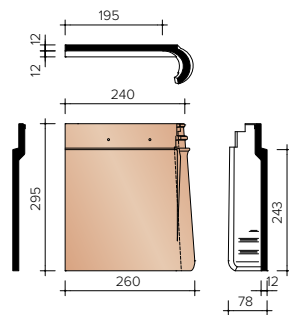
P0003110
Semicircular North Pole - 190 mm



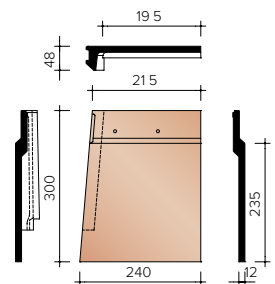
P0001260
Semicircular North Pole - 230 mm



P0001241
Head plate for sarking



P0007060
4.1 pieces/Lm
Left facade panel for sarking



P0007070
4.1 pieces/Lm
Right facade panel for sarking

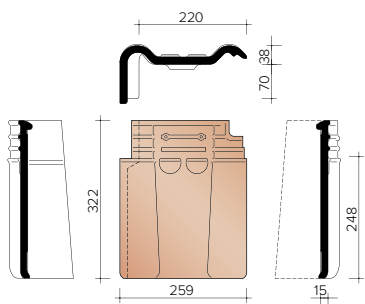
&

&

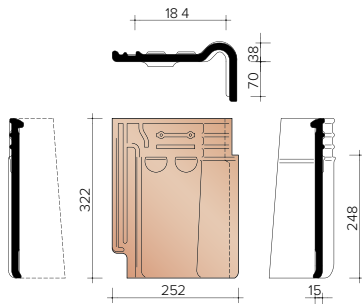
&

& Top plate and facade plates sarking to be used together

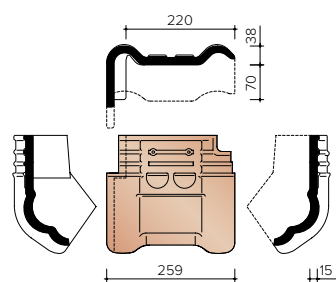
TECHNICAL INFORMATION - CLADDING TILES



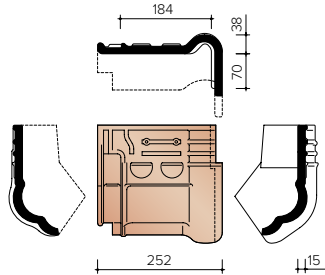
P9937080
4.1 pieces/Lm
Left facade tile



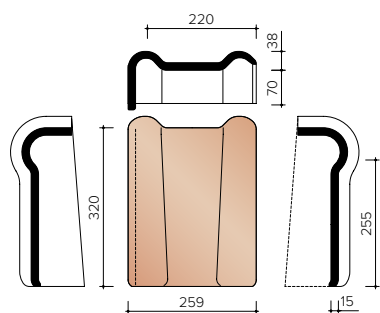
P9937090
4.1 pieces/Lm
Right facade tile



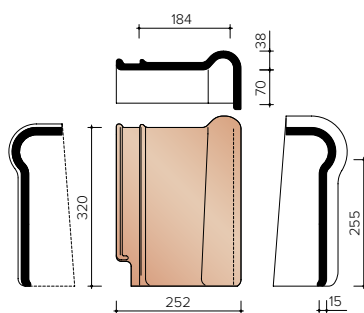
P9937280
Left gable hinged tile



P9937290
Retcher facade kink tile

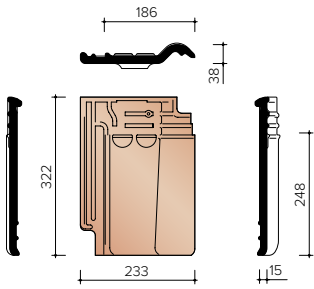


P9937580
Left gable hook frost

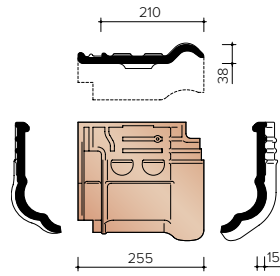


P9937590
Right gable hook frost

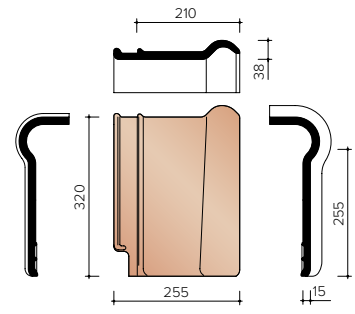
TECHNICAL INFORMATION - OTHER ACCESSORIES



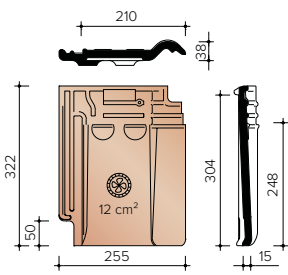
P9938030
4.1 pieces/Lm 3/4 Pan



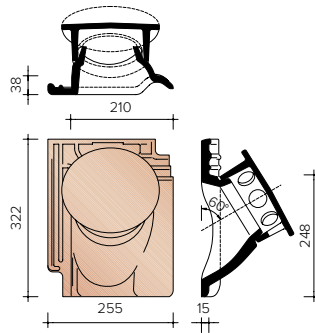
P9938200
4.8 pieces/Lm Articulated Pan



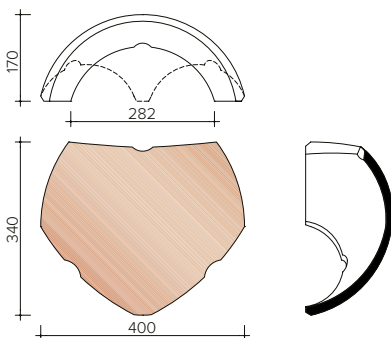
P9938500
4.8 pieces/Lm Hook Frost



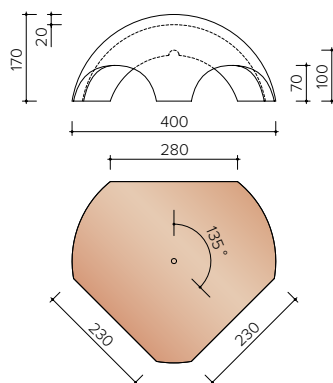
P9938610
Ventilation pan/hook
transit pan - 12 cm²



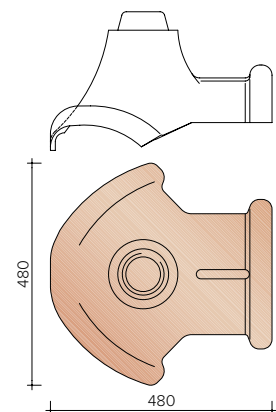
P0448230
Kit cooker pan Ø 100 mm + cap - 95 cm²
+ connection module + gear unit piece



P0005500
Frost hat between 1 frost 1200
and 2 princes 1200 as north tree

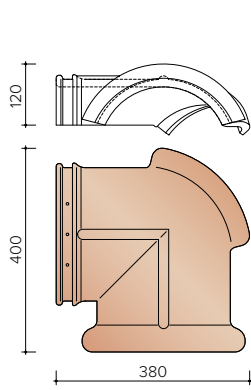


P0005740
Frost hat between 1 frost 1200
and 2 north trees 3100

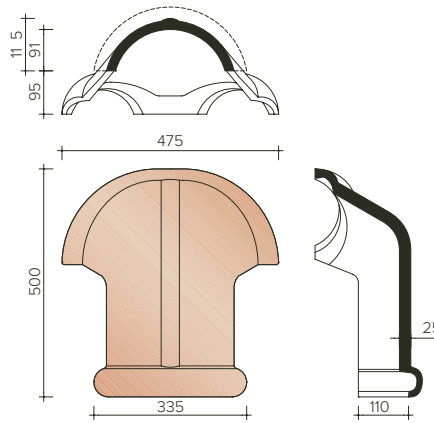


P0005290
Connection piece between 1 frost
1200 and 2 north trees 3100 with
ball connection

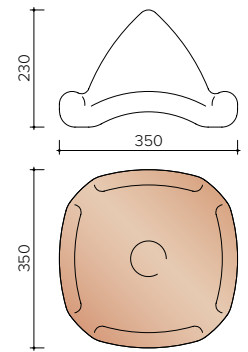
TECHNICAL INFORMATION - OTHER ACCESSORIES



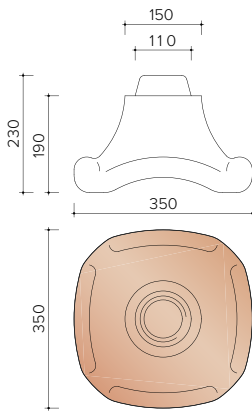
P0005120
Connection piece between 2 kings
1200 and 1 north tree 3100



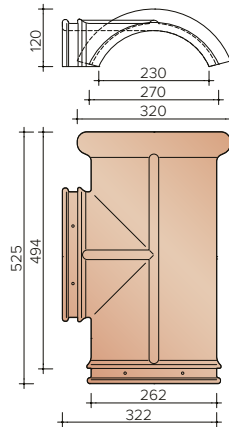
P0005250
Connection piece between 1 frost
1200 and 2 north trees 3100



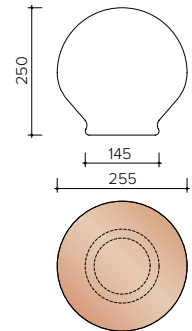
P0005630
Connection piece between 4 north
trees 3100 without bulb connection



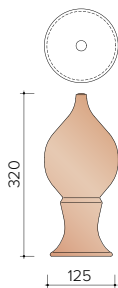
P0005640
Connection piece between 4 north
trees 3100 with bulb connection



P0005020
Connection piece between 3 kings
1200



P0005950
Sphere for connector with bulb
connection



P0005930
Piron No. 4



LOHAS

Australia

