

LOHAS

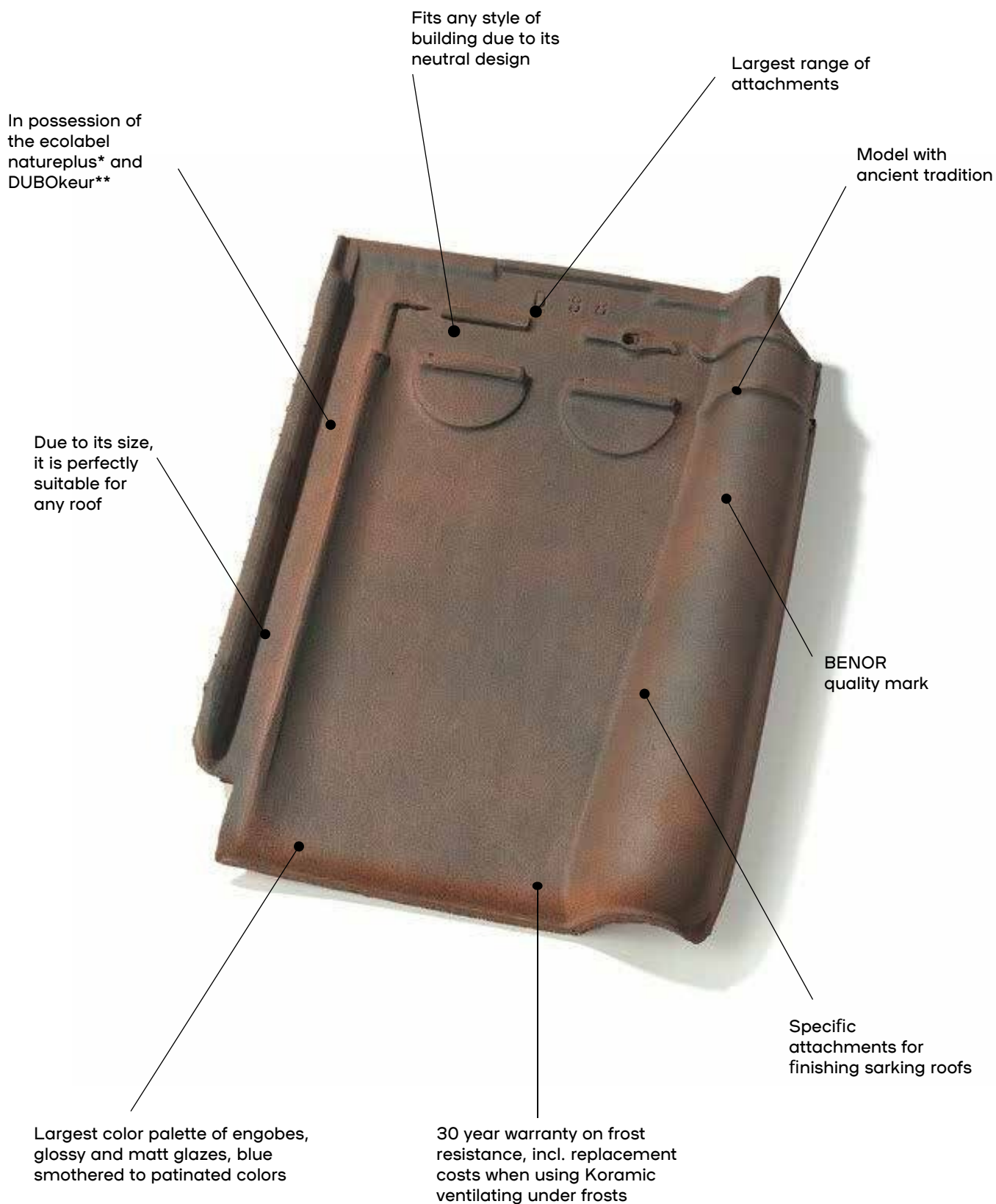
AUSTRALIA

ROOF TILE COLLECTION

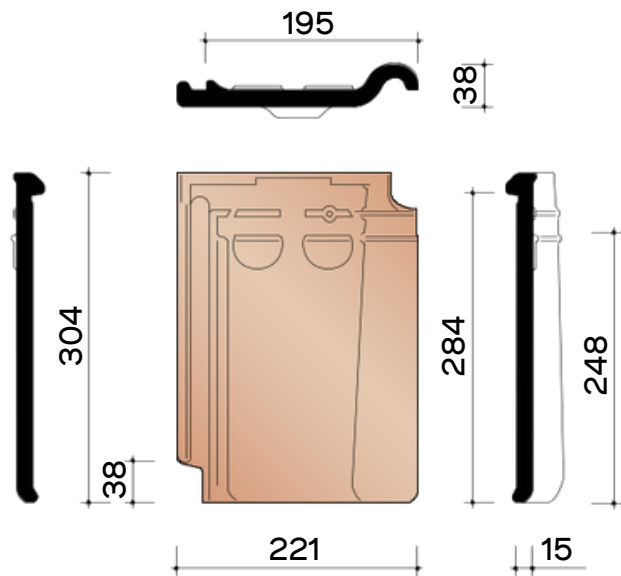
**FRENCH
TEMPEST TILE 44
ROOF TILES
SPEC GUIDE**

LOHASAU.COM

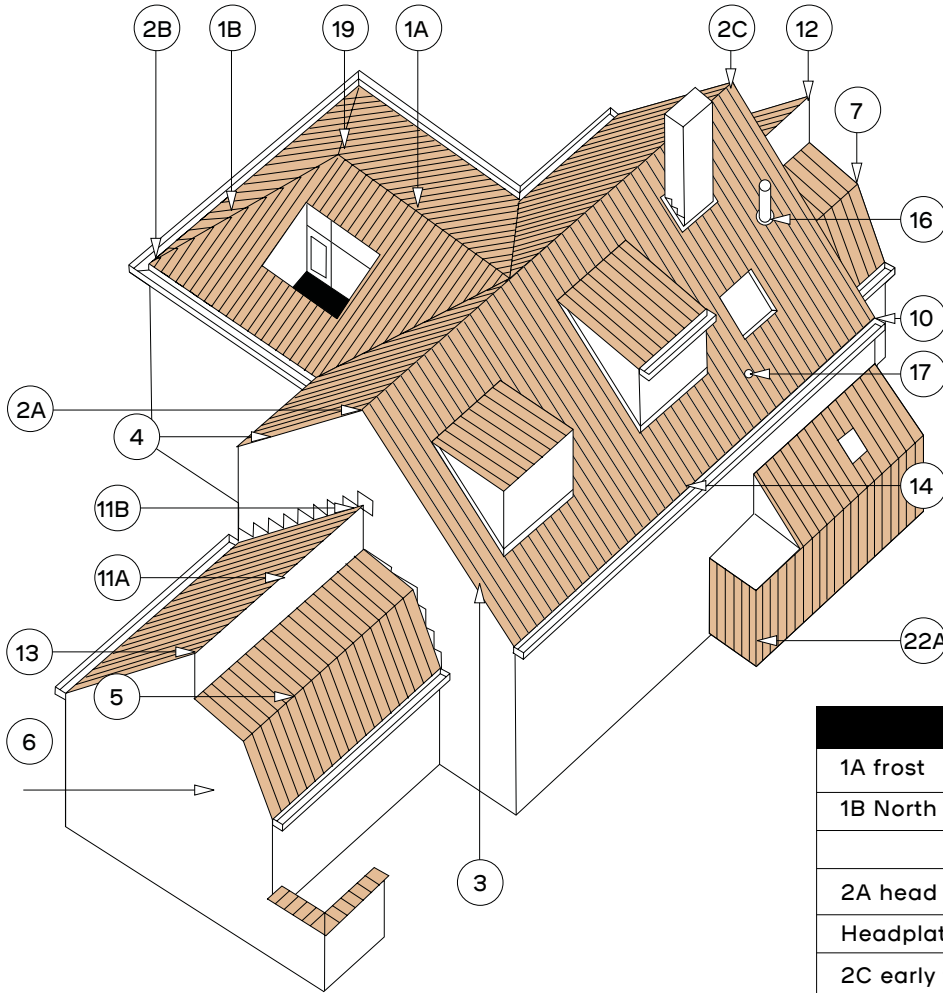
Tempest Tile 44 Rustic



TECHNICAL INFORMATION



Definition:	Ceramic pan with soft wave, single side closure and double head closure
Min. roof slope with shelter - Fleece of Fleece Plus: - Fleece Premium:	22° 15°, provided that the instructions in the brochure Façade and roof underlayments
Useful length (bar spacing):	± 248 mm
Useful width:	± 195
Number of pieces/m ² :	± 20.7
Unit weight:	± 1.75 kg* / ± 1.91 kg
Weight per m ² :	36.20 kg*/ 39.50 kg
Breaking load:	> 1200 N
Impermeability:	≤ 0,5 cm ³ /cm ² .d
Frost resistance:	Frost resistance
Placement:	Straight



1A frost	1200
1B North tree	1200
	3100
2A head plate	1240
Headplate for Sarking	1241
2C early frost	1230
2B Beginning North	1260
Tree	3110
3 Left facade tile	7080
Left facade panel sarking	7060
Pan with double well	8050
4 Right facade tile	7090
Right facade panel sarking	7070
5 Articulated pan	8200
three-quarter pan	8230
6 Left gable hinged tile	7280
Articulated pan with double well	8250
7 Right gable tile	7290
11A hook frost	8500
Three-quarter crochet frost	8530
11B Crochet frost with double	8550
well 12 Left gable hook frost	7580
13 Right gable hook frost	7590
14 3/4 pan	8030
16 Kit cooker + cap	8741
frying pan	8740
Cap for cooker	8750
17 Ventilation and hook feed	8963
pan 19 prince hat	5740
	5500
22A corner piece for facade cladding	8870

1



2



3



4



5



6

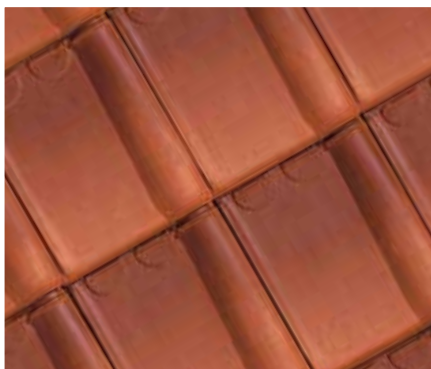


1. Tempest Tile 44 Old Latem Red & Cottage Braised Blue
2. Tempest Tile 44 Black Glazed
3. Tempest Tile 44 Cottage Braised Blue
4. Tempest Tile 44 Natural Red
5. Tempest Tile 44 Rustic & Old Copper
6. Tempest Tile 44 Anthracite

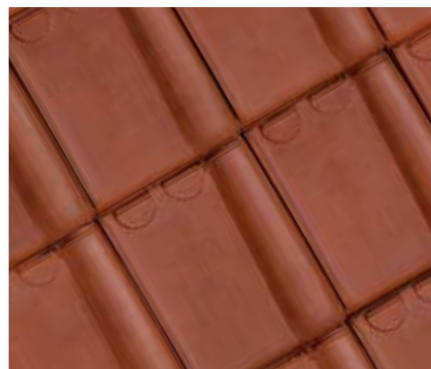
COLOUR RANGE



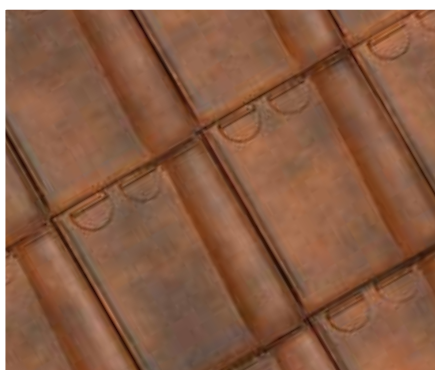
Natural Red
600



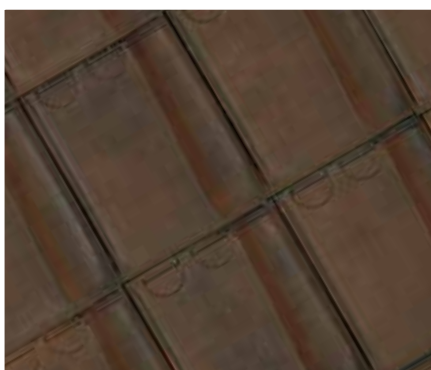
Amarant
848



Viole
869



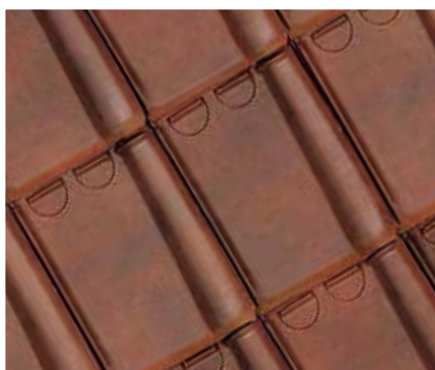
Rustic
872



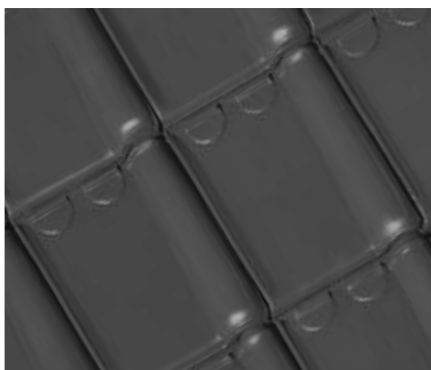
Old Copper
706



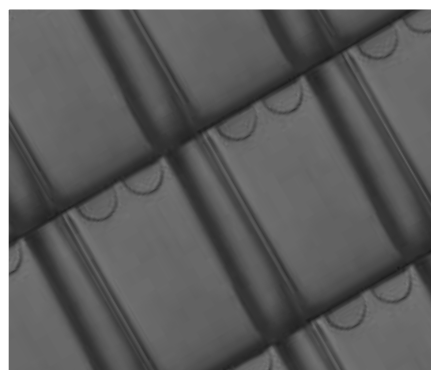
Anthracite
736



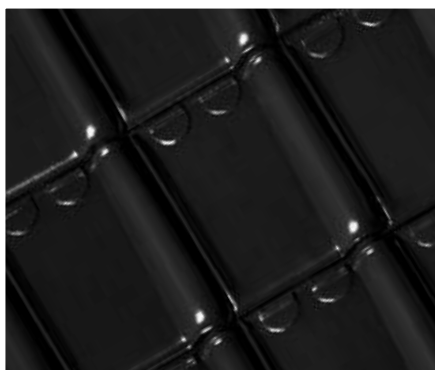
Luster
877



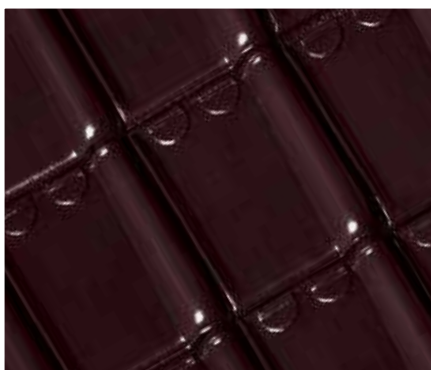
Slate Matt Glazed
706



Braised Blue
706

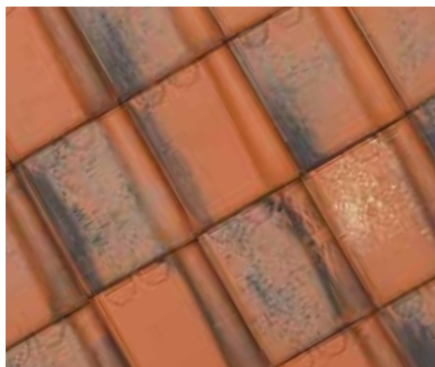


Black Glazed
738

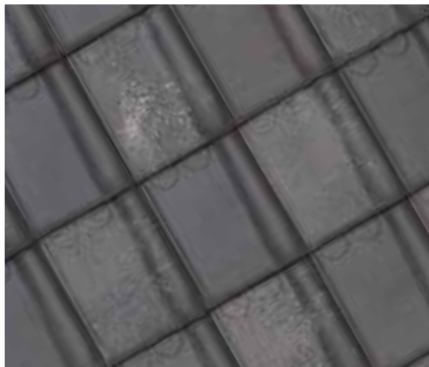


Wine red glazed
614

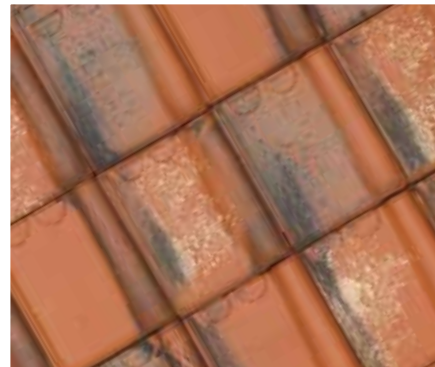
WEATHERED COLOUR RANGE



Old Latem Red
879



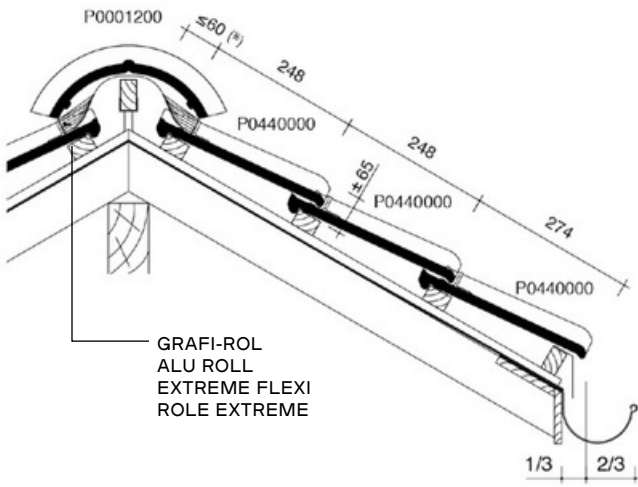
Cottage Braised Blue
721



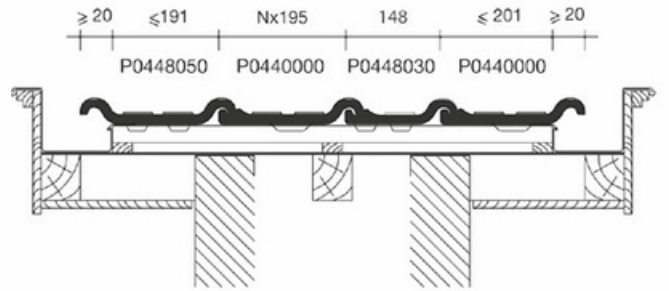
Cottage
611

TECHNICAL INFORMATION - LAYING PLANS

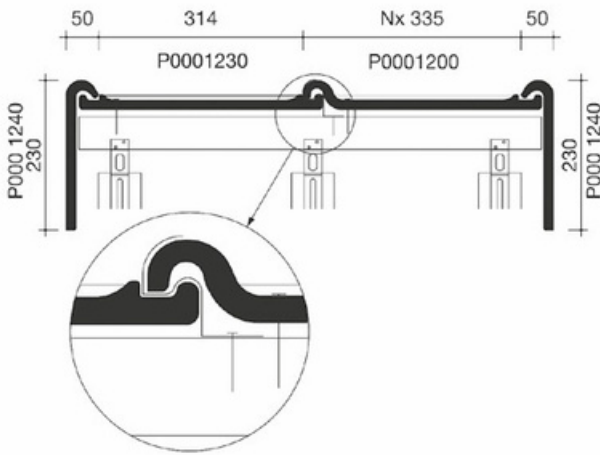
Length-section roof at frost 1200



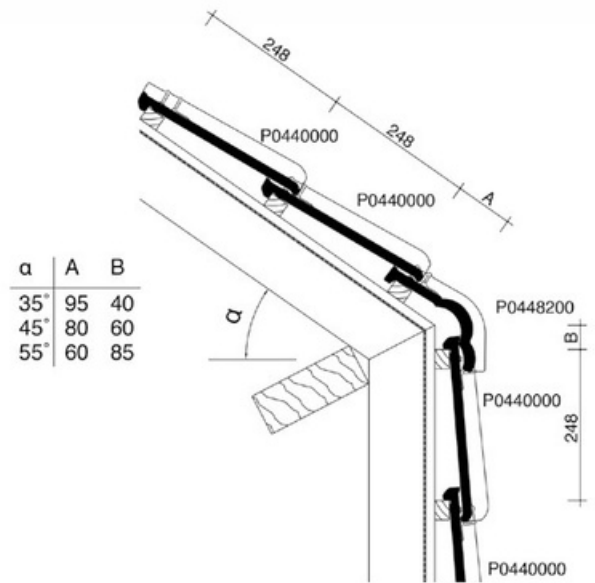
Cross-section roof with double wel pan



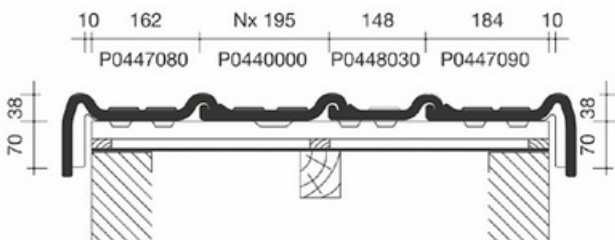
Cross-section roof at frost 1200



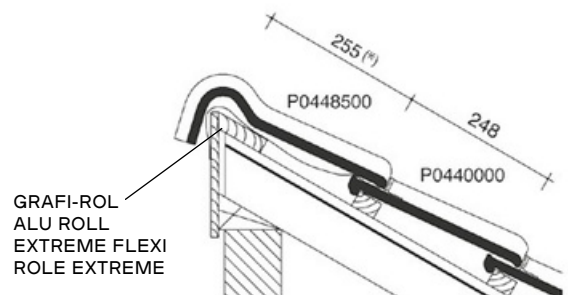
Length-section roof at the height of knikpan



Cross-section roof at the height of facade tiles



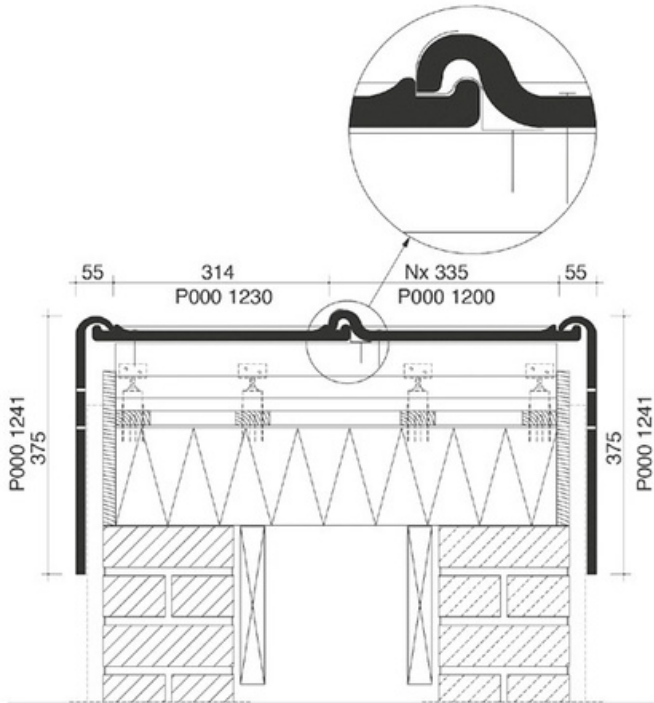
Length-section roof at hook frost



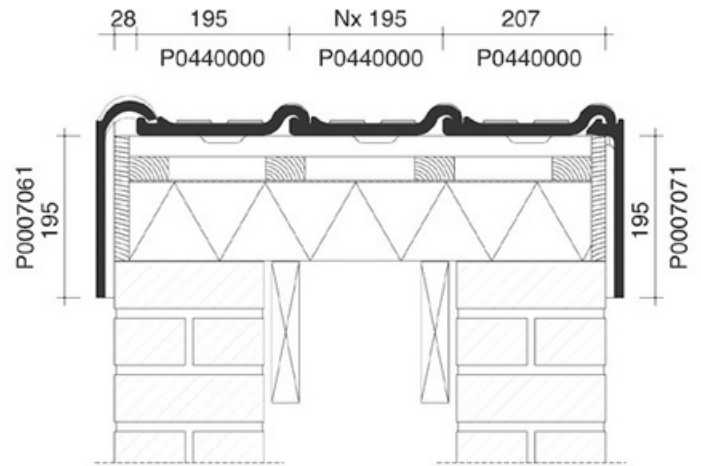
(*) The distance depends on the roof pitch and the section of counter battens and tile battens and must be determined on site

TECHNICAL INFORMATION - LAYING PLANS

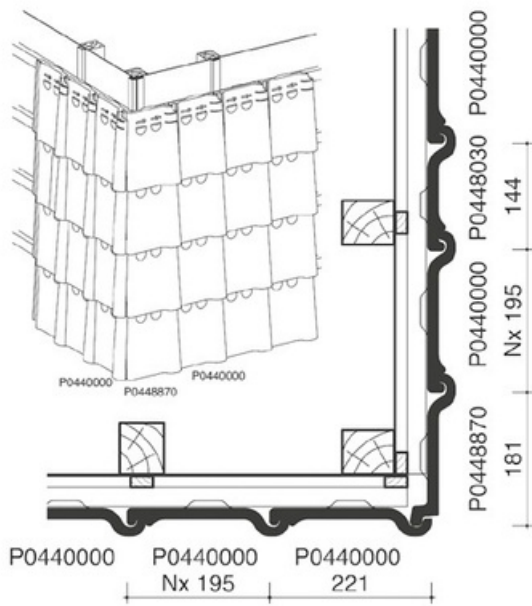
Cross-section roof at frost 1200 with facade panels for sarking



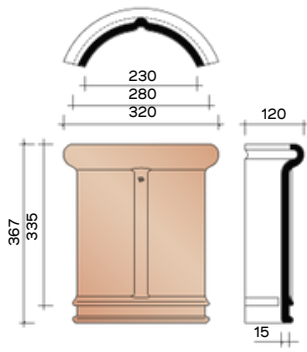
Cross-section roof at the height of facade panels for sarking



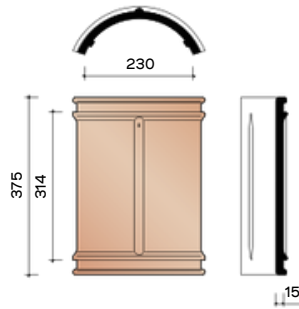
3D drawing facade cladding with section



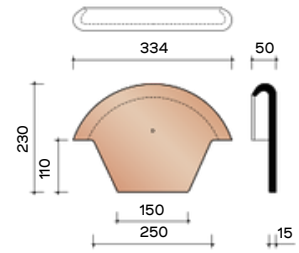
TECHNICAL INFORMATION



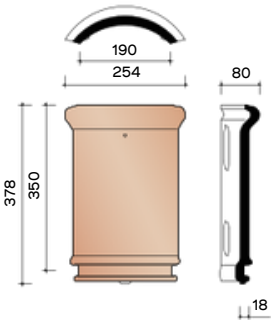
P0001200
3 pieces/Lm Semicircular
frost/northern tree - 230 mm



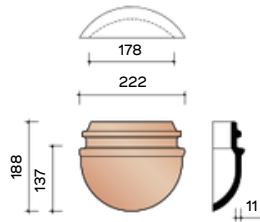
P0001230
Semicircular initial frost - 230
mm



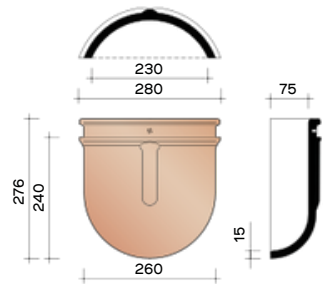
P0001240
Head plate - 230 mm



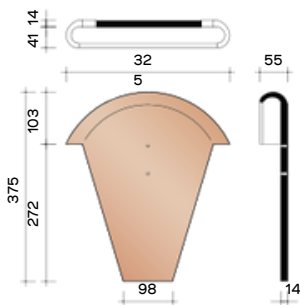
P0003100
3.1 pieces/Lm
Semicircular North Pole - 190
mm



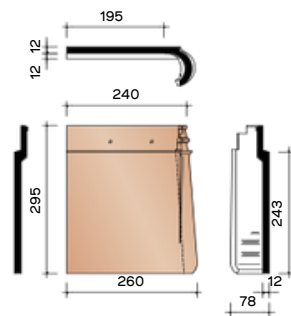
P0003110
Semicircular North Pole - 190
mm



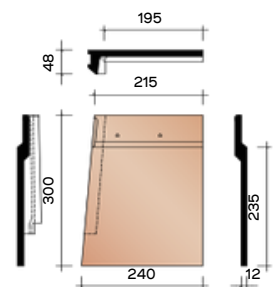
P0001260
Semicircular North Pole - 230
mm



P0001241
Head plate for sarking



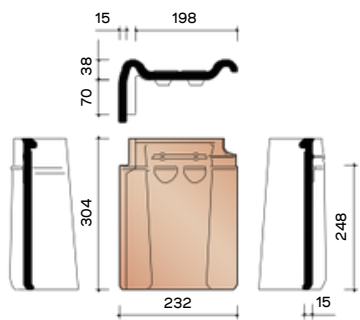
P0007060
4.1 pieces/Lm
Left facade panel for sarking



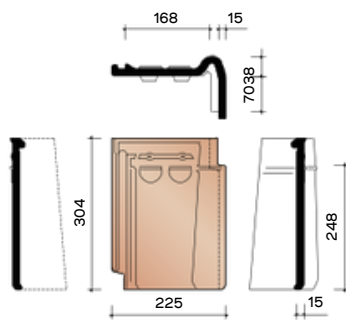
P0007070
4.1 pieces/Lm
Right facade panel for sarking

& Top plate and facade plates sarking to be used together

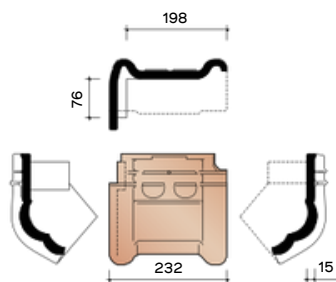
TECHNICAL INFORMATION - CLADDING TILES



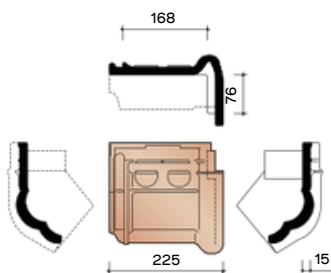
P0447080
4.1 pieces/Lm Left facade tile



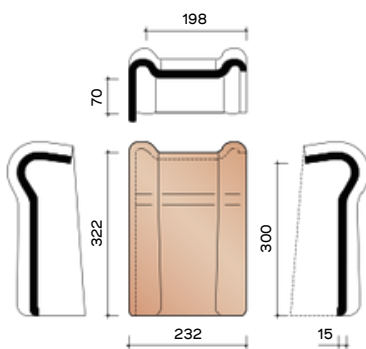
P0447090
4.1 pieces/Lm Right facade tile



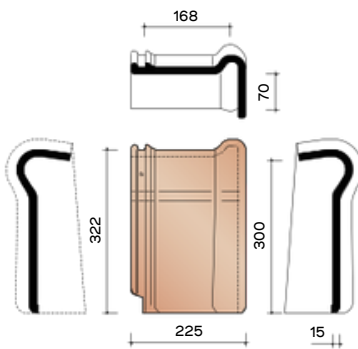
P0447280
Left gable tile



P0447290
Right gable tile

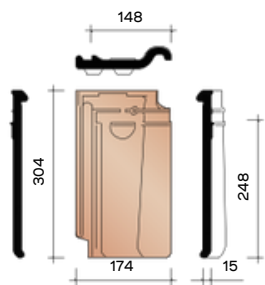


P0447580
Left gable hook frost

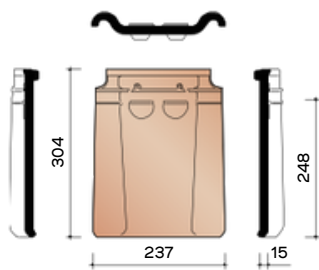


P0447590
Right gable hook frost

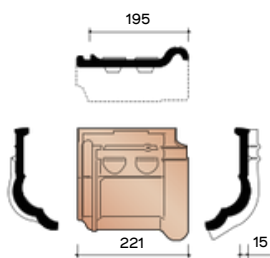
TECHNICAL INFORMATION - OTHER ACCESSORIES



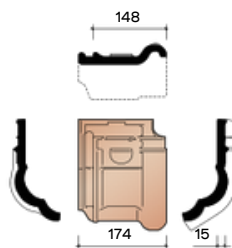
P0448030
4.1 pieces/Lm 3/4 Pan



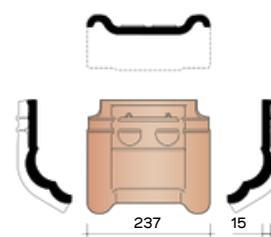
P0448050
4.1 pieces/Lm pan with double well



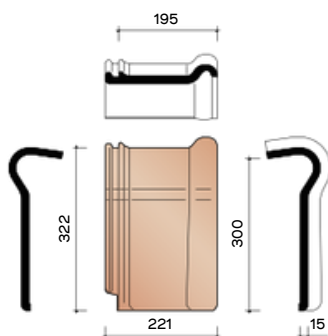
P0448200
5.2 pieces/Lm Articulate Pan



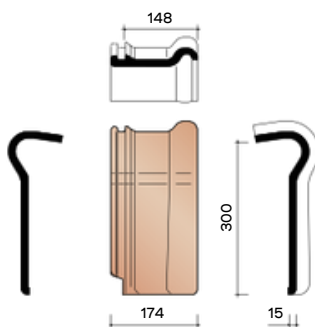
P0448230
Three-quarter pan



P0448250
Articulated pan with double well

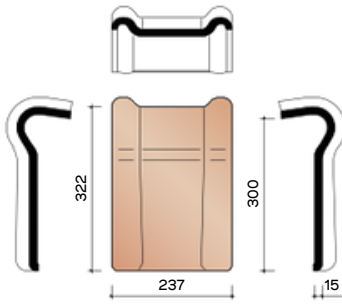


P0448500
5.2 pieces/Lm Hook frost

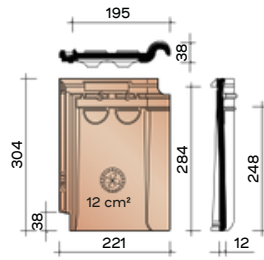


P0448530
Three-quarter crochet frost

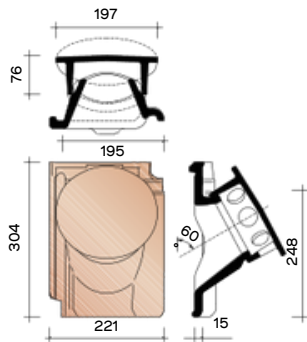
TECHNICAL INFORMATION - OTHER ACCESSORIES



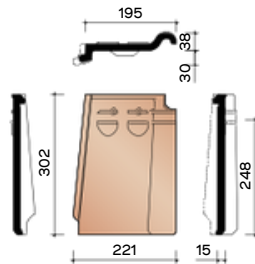
P0448550
Crochet frost with double well



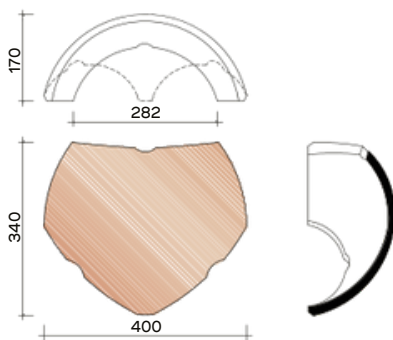
P0448610
Ventilation and Hook Transit Pan - 12 cm²



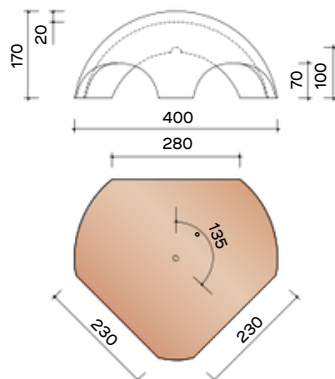
P0448741
Kit cooker pan Ø 100 mm + cap - 95 cm² + connection module + gear unit piece



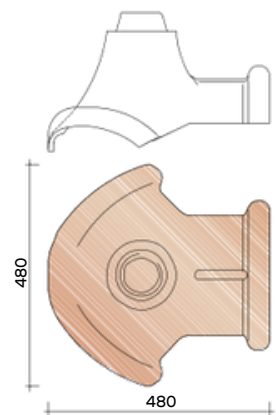
P0448870
4.1 pieces/Lm Corner piece



P0005500
Frost hat between 1 frost 1200 and 2 princes 1200 as north tree

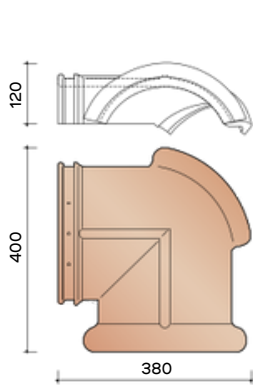


P0005740
Frost hat between 1 frost 1200 and 2 north trees 3100

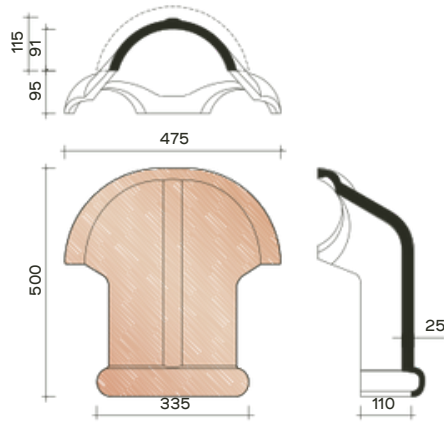


P0005290
Connection piece between 1 frost 1200 and 2 north trees 3100 with ball connection

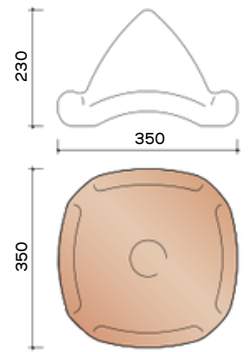
TECHNICAL INFORMATION - OTHER ACCESSORIES



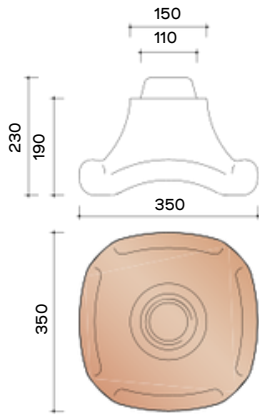
P0005120
Connection piece between 2
kings 1200 and 1 north tree 3100



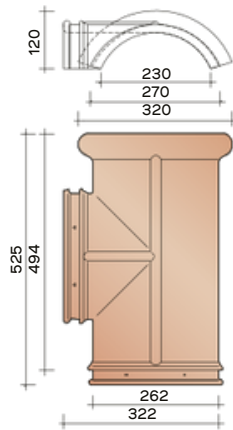
P0005250
Connection piece between 1 frost
1200 and 2 north trees 3100



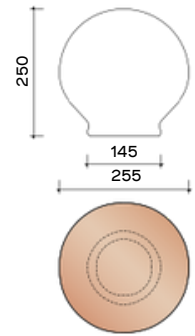
P0005630
Connection piece between 4 north
trees 3100 without bulb connection



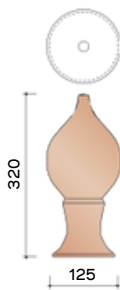
P0005640
Connection piece between 4
north trees 3100 with bulb
connection



P0005020
Connection piece between 3
kings 1200



P0005950
Sphere for connector with
bulb connection



P0005930
Piron No. 4

LOHAS

CONTACT US

P 02 9566 2114
E info@lohasau.com

W lohasau.com
IG [@lohas_australia](https://www.instagram.com/lohas_australia)

LOHAS Australia is a proud distributor of the Wienerberger product range.

