

# VHV ROOF TILES



# LOHAS

Australia



VHV Vario Natrual Red



VHV Vario has a double variable side closure with guaranteed clearance of 6 mm

Double variable head lock with 20 mm clearance for the VHV Vario/Classic

In possession of the ecolabel Dubokeur

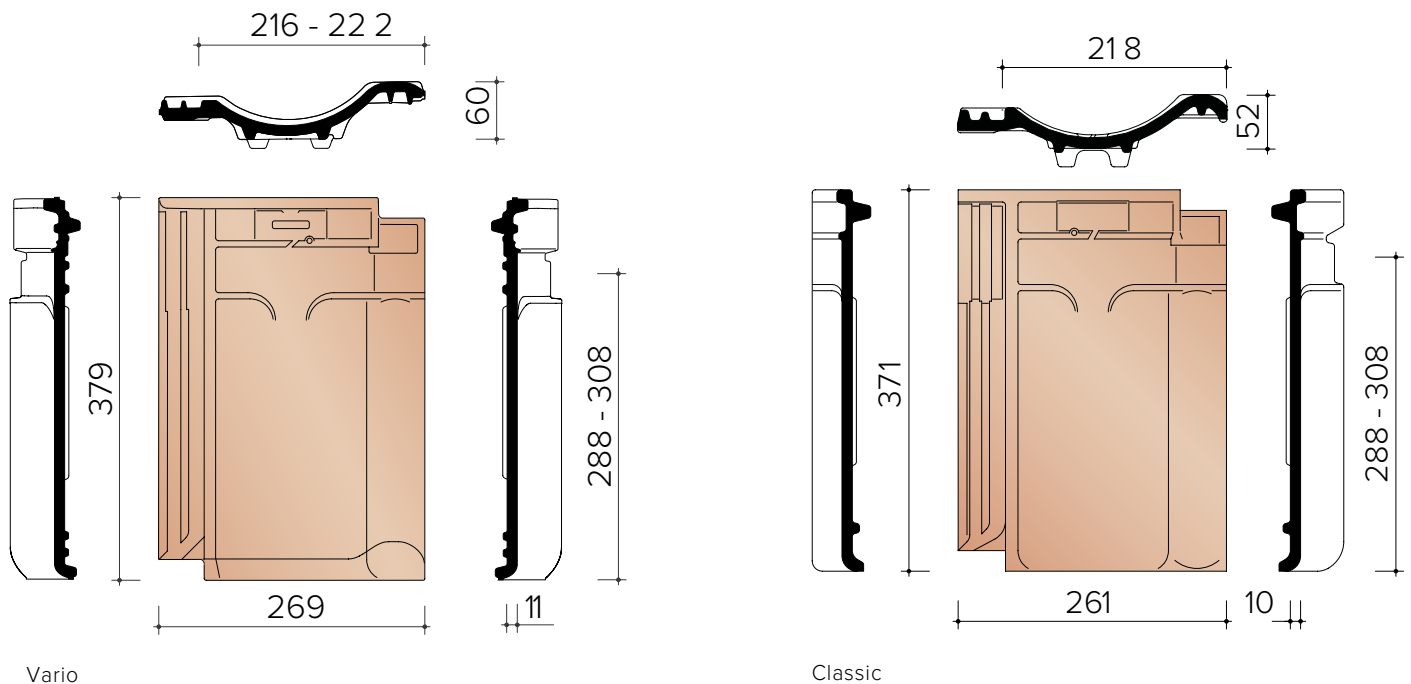
2 suspension noses for stable placement on the roof

Numerous ceramic fittings ensure a perfect technical finish

The lightest corrugated pan in the range

30 year warranty on frost resistance, incl. replacement costs when using Koramic ventilating under frosts

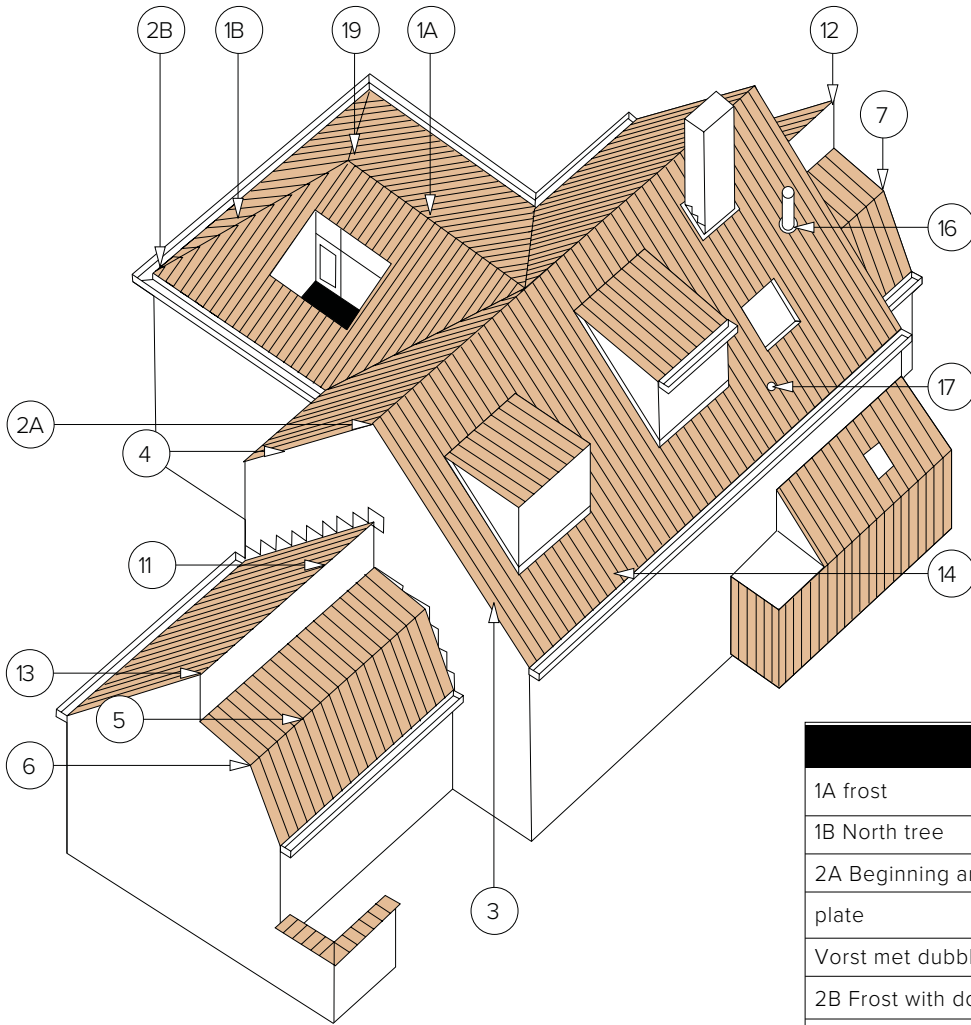
## TECHNICAL INFORMATION



Vario

Classic

Definition:	Hollow clay roof tile with double side closure, double head closure and adjustable batten distance. The VHV Classic and Vario also has a double variable side closure.
Min. roof slope with shelter - Fleece of Fleece Plus: - Fleece Premium:	25° 15°, subject to the instructions in the brochure Facade and underroof films.
Useful length (bar spacing):	± 288 - 308 mm
Useful width: Vario Classic	± 216 - 222 mm ± 218 mm
Number of pieces/m <sup>2</sup> : Vario Classic	± 14.6 - 15.9 ± 14.9 - 15.9
Unit weight: Vario Classic	± 2.70 kg ± 2.44 kg
Weight per m <sup>2</sup> : Vario Classic	± 39.4 - 43.5 kg ± 36.4 - 38.8 kg
Breaking load:	> 1200 N
Impermeability:	≤ 0,5 cm <sup>3</sup> /cm <sup>2</sup> .d
Frost resistance:	Frost resistance
Placement:	Straight



1A frost	1200
1B North tree	1200
2A Beginning and end frost with head plate	3100
Vorst met dubbele well	1250
2B Frost with double well	1260
3 Left facade tile	3110
Left ventPan with double well pan	7080
4 Right facade tile	8050
5 Articulated pan	7090
Articulated pan with double well	8200
Crochet frost with double well	8250
6 Left gable hinged tile	8550
7 Right gable tile	7280
11 hook frost	7290
12 Left gable hook frost	8500
13 Right gable hook frost	7580
14 half pan	7590
16 Half Kit cooker + cap pan	8010
17 Ventilation pan/hook feed pan	*
Swift pan	8728
Cable entry pan	8741 *
19 prince hat	8640
	8660
	8958
	5140
	5500
	5520
	5540
	5560

1



2



3





1. VHV Classic Blue Smothered
2. VHV Vario Rustic
3. VHV Vario Matte Black Glazed
4. VHV Vario Autumn Sateen

## COLOUR RANGE



Classic Natural Red



Classic Braised Rust Blue



Classic Sateen Rust Black



Classic Blue Smothered



Classic Sateen Black



Vario Natural Red



Vario Autumn Sateen



Vario Rustic



Vario Rustic Glazed



Vario Light Brown Glazed



Vario Red Sateen



Vario Wine Red Glazed



Vario Brown Glazed



Vario Black-Brown Engobe



Vario Slate Matte Engobe



Vario Matte Black Glazed



Vario Slate Black Glazed



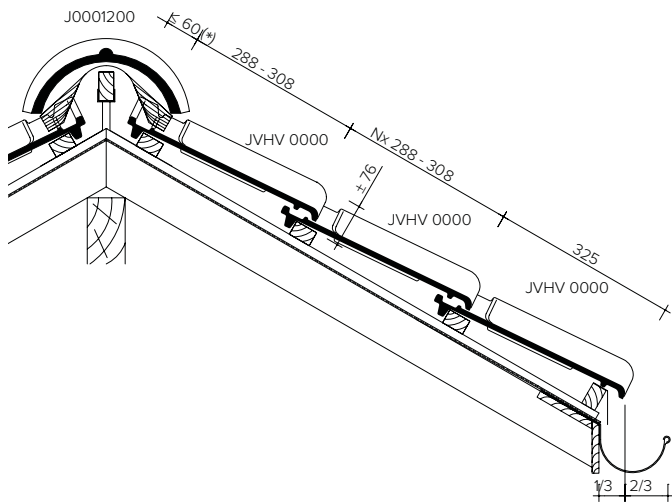
Vario Black Glazed



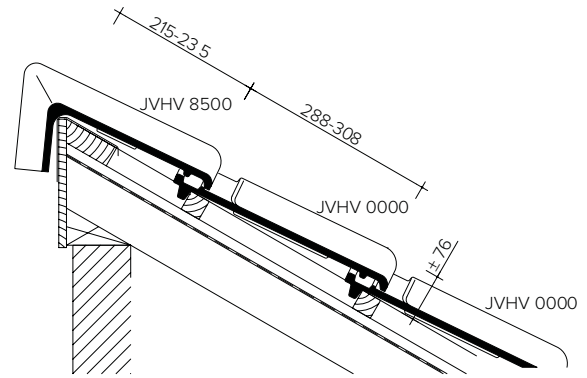
Vario Midnight Blue Glazed



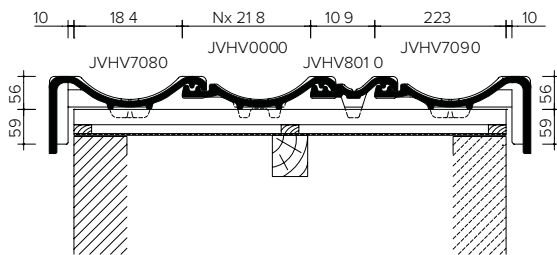
# TECHNICAL INFORMATION - CLASSIC LAYING PLANS



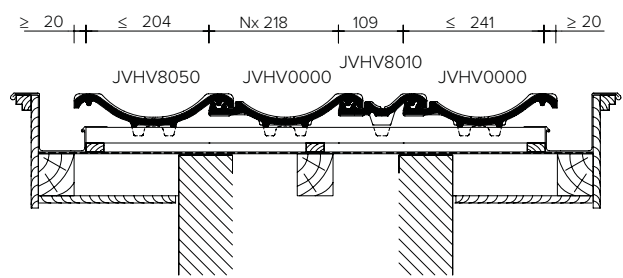
Length-section roof at frost VHV Classic



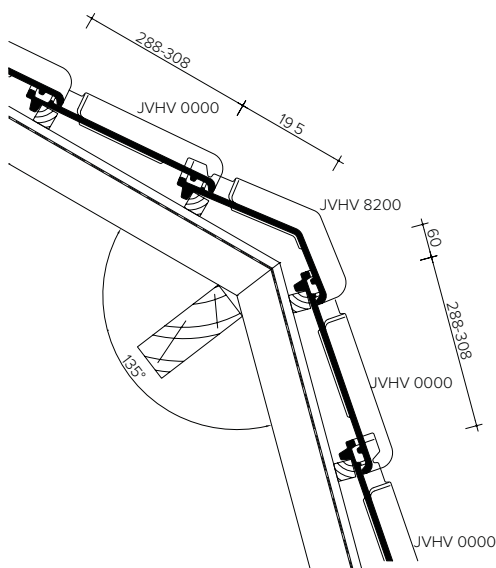
Length-section roof at hook frost VHV Classic



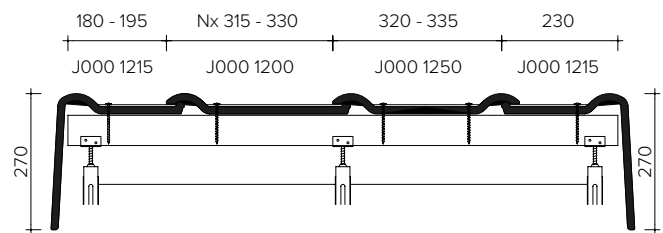
Cross-section roof at the height of facade tilles VHV Classic



Cross-section roof at the height of pan with double well - VHV Classic

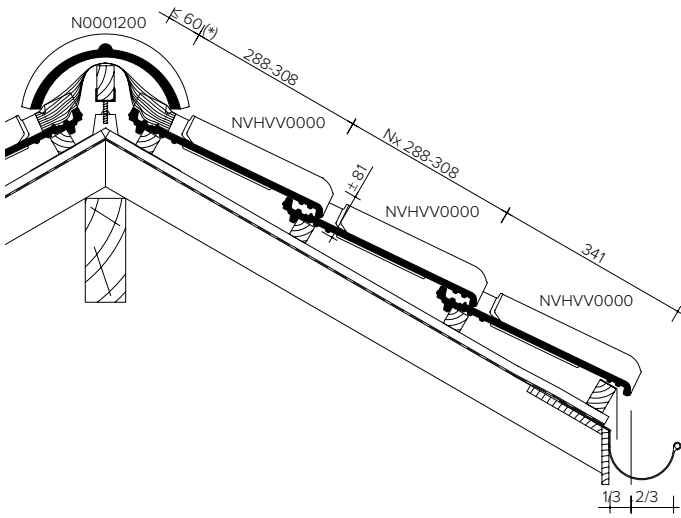


Length-section roof at the height of knikpan VHV Classic

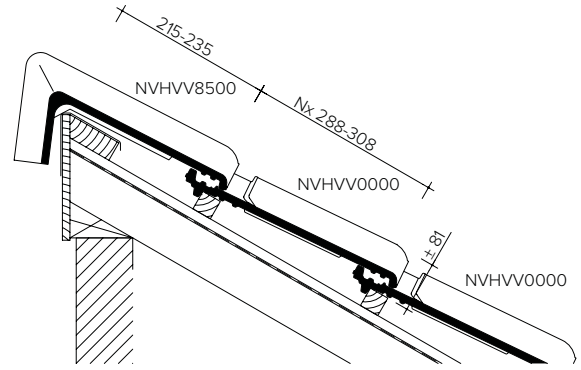


Cross-section roof at frost VHV Classic

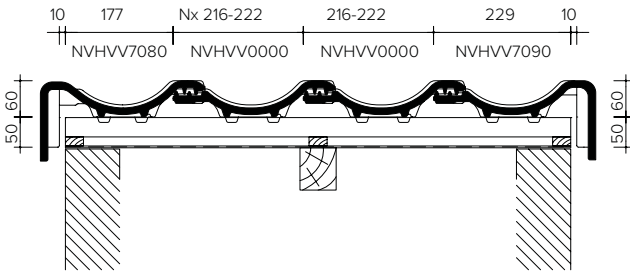
TECHNICAL INFORMATION - VARIO LAYING PLANS



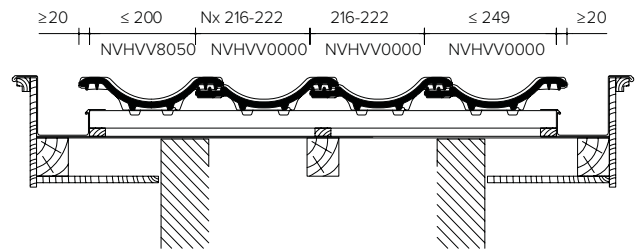
Length-section roof at frost VHV Vario



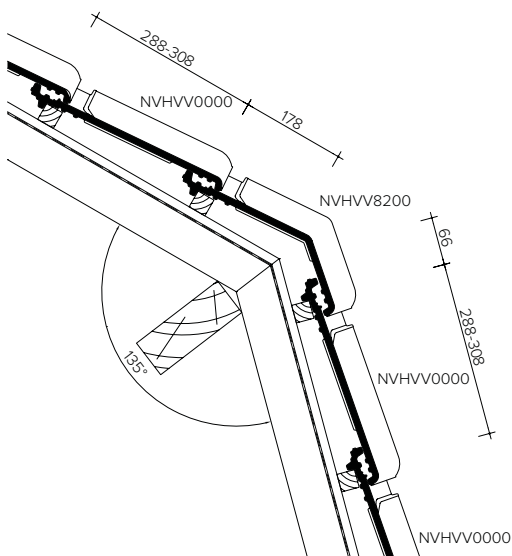
Length-section roof at frost VHV Vario



Cross-section roof at the height of facade tiles VHV Vario

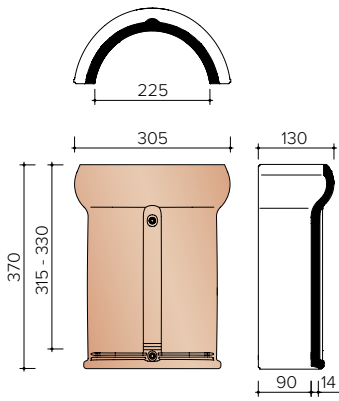


Cross-section roof at the height of facade tiles VHV Vario

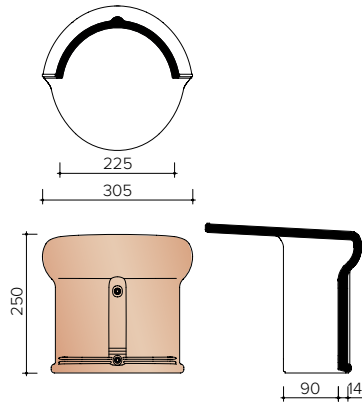


Length-section roof at the height of knikpan VHV Vario

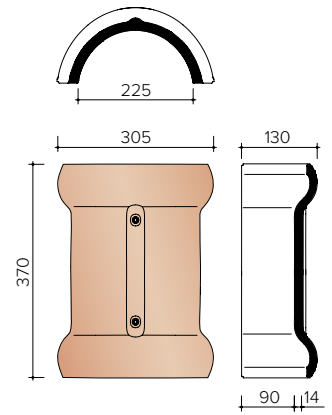
**TECHNICAL INFORMATION**



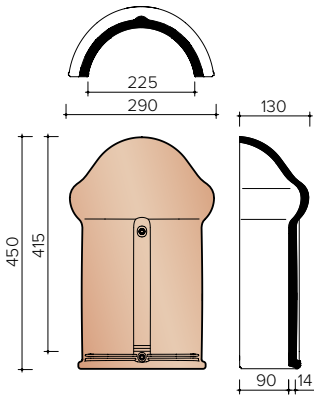
**JN0001200**  
3 - 3.1 pieces/Lm Semicircular frost/northern tree Vario - 225 mm



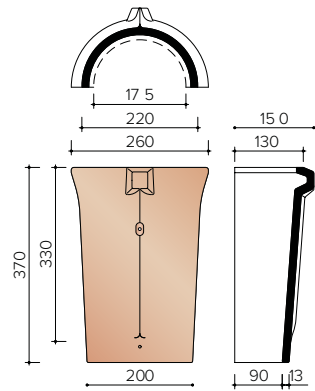
**JN0001215**  
Semicircular initial initial/final frost Vario with head plate - 225 mm



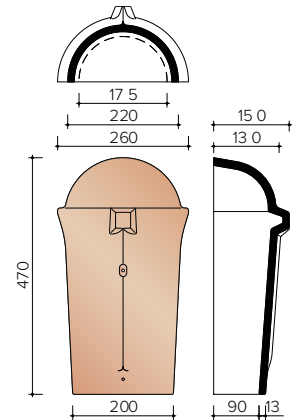
**JN0001250**  
Semicircular frost Vario with double well - 225 mm



**JN0001260**  
Semicircular North Pole Vario - 225 mm

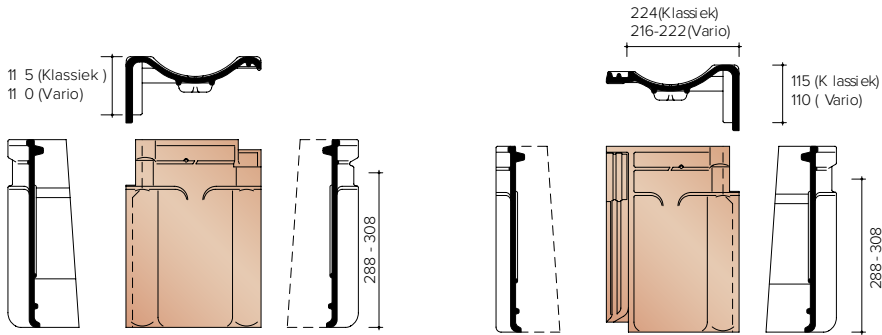


**JN0003100**  
3 pieces/Lm Conical North Tree



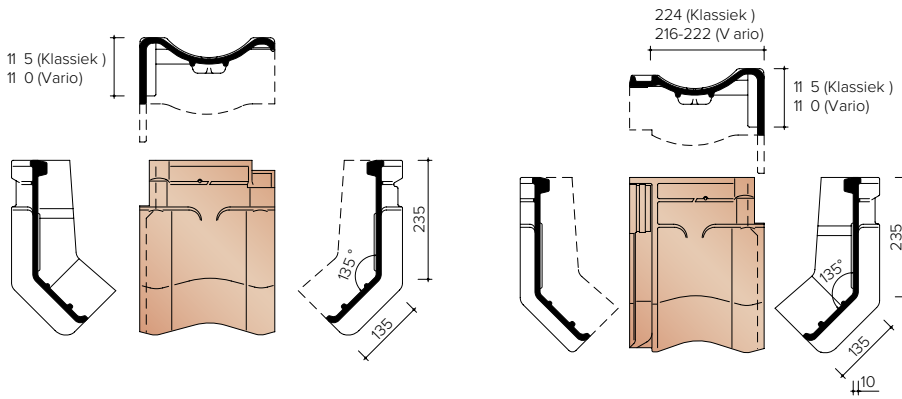
**JN0003110**  
Conical Beginning North Tree

**TECHNICAL INFORMATION - CLADDING TILES**



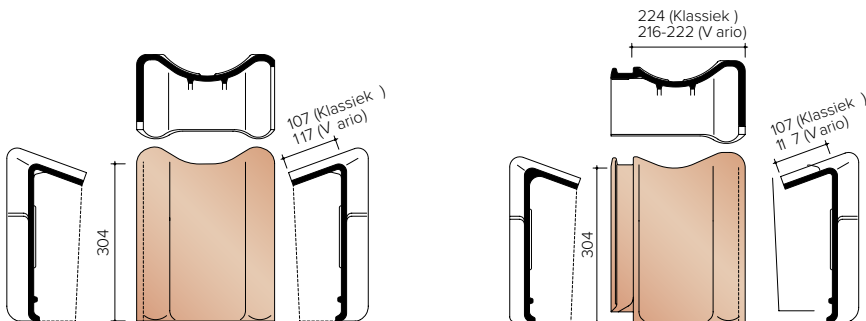
**J/NVHV7080**  
3.3 pieces/Lm Left facade tile

**J/NHV7090**  
3.3 pieces/Lm Right facade tile



**J/NVHV7280**  
3 pieces/Lm Left gable hinged pan

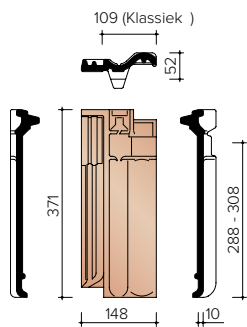
**J/NVHV7290**  
3 pieces/Lm Right gable hinged pan



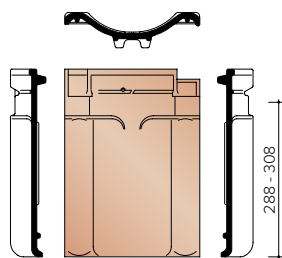
**J/NVHV7580**  
Left gable hook frost

**J/NVHV7590**  
Right gable hook frost

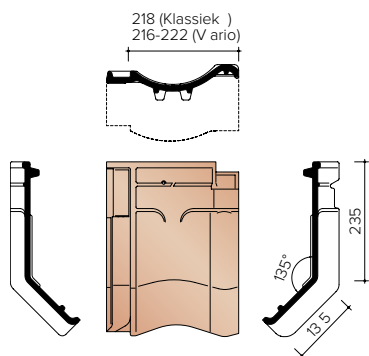
## TECHNICAL INFORMATION - OTHER ACCESSORIES



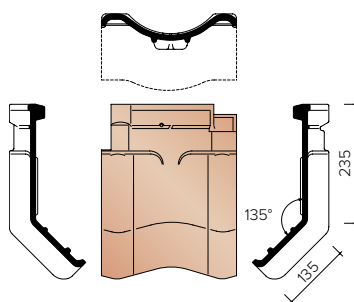
**J/VHV8010**  
3.3 pieces/Lm half pan



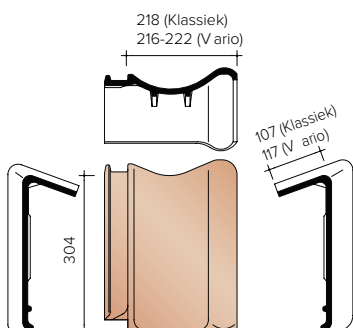
**J/NVHV8050**  
3.3 pieces/Lm double well pan



**J/NVHV8200**  
4.6 pieces/Lm  
Articulated pan 135°

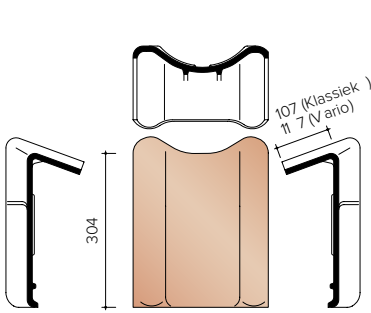


**J/NVHV8250**  
Articulated pan with double well

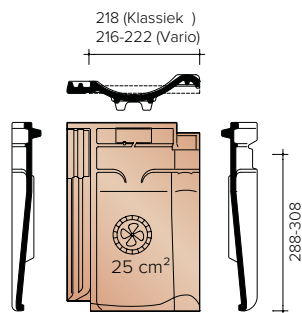


**J/NVHV8500**  
4.6 pieces/Lm  
Hook frost

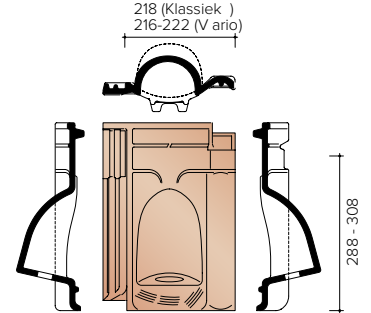
TECHNICAL INFORMATION - OTHER ACCESSORIES



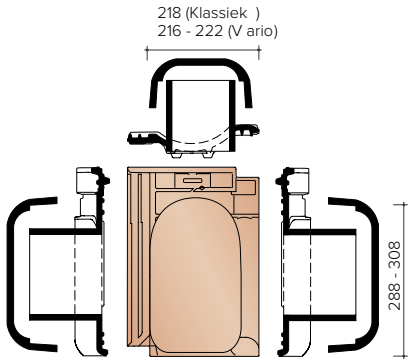
**J/NVHV8550**  
Crochet frost with double well



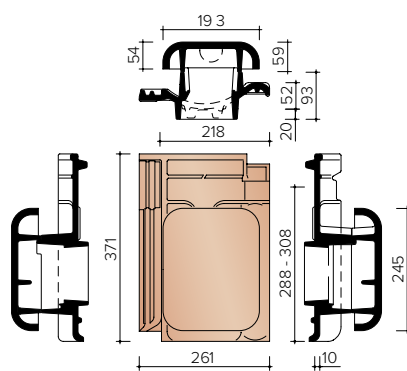
**J/NVHV8640**  
Ventilation pan/hook transit pan  
with grid in plastic - 25 cm<sup>2</sup>



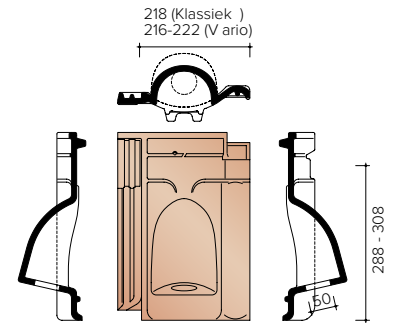
**J/NVHV8660**  
swift pan



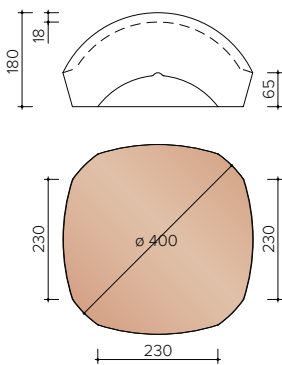
**J/NVHV8728**  
Kit cooker pan Ø 125 mm + cap +  
connection module + gear unit piece



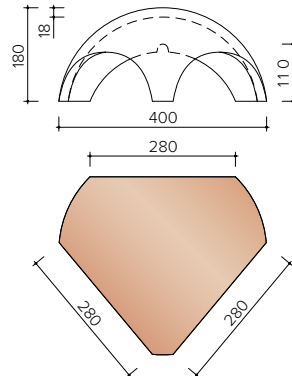
**JOVH8741**  
Kit cooker pan Ø 100 mm + cap  
+ connection module + gear unit piece



**J/NVHV8958**  
Cable entry pan Ø 50 mm

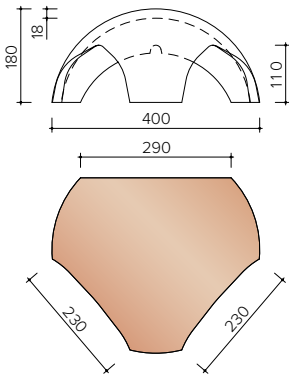


**J/N0005140**  
Princes hat between 3 princes 1200



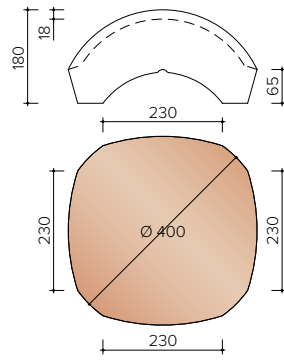
**J/N0005500**  
Frost hat between 1 frost 1200 and 2  
princes 1200 as north tree

**TECHNICAL INFORMATION - OTHER ACCESSORIES**



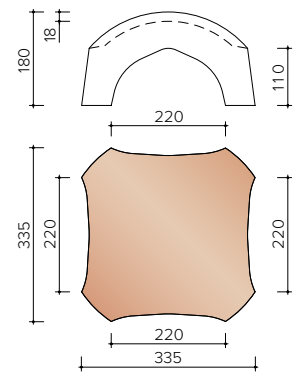
**J/N0005520**

Frost hat between 1 frost and 1200  
2 north trees 3100



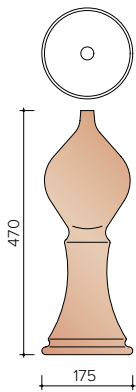
**J/N0005540**

Princes hat between 4 monarchs  
1200



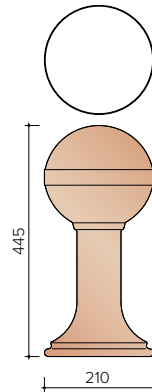
**J/N0005560**

Prince's hat between 4 north trees  
3100



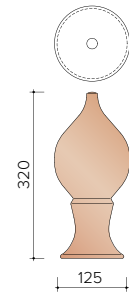
**J/N0005900**

Piron No. 1



**J/N0005910**

Piron No. 2



**J/N0005930**

Piron No. 4



LOHAS  
Australia

  
**Wienerberger**