

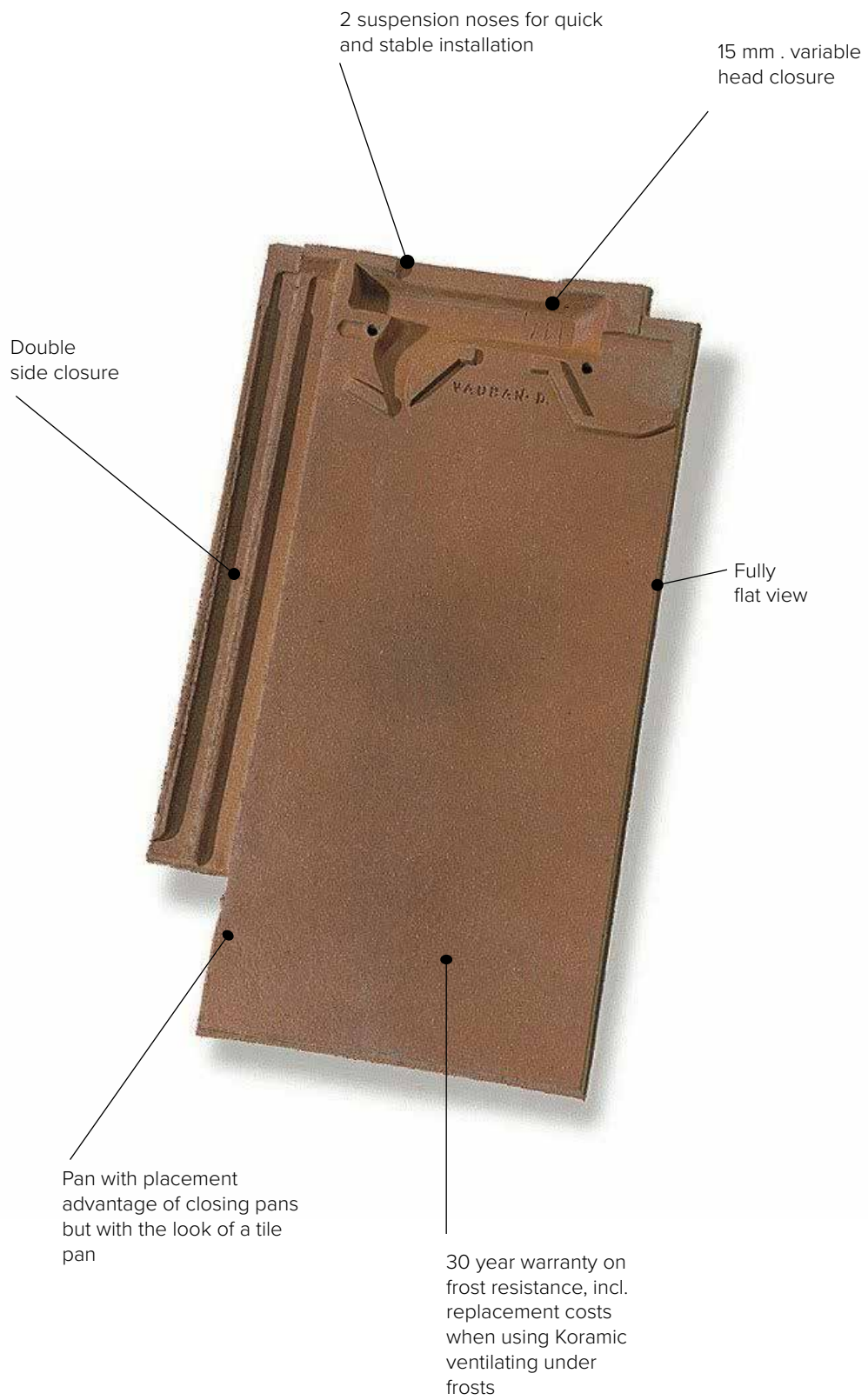
VAUBAN ROOF TILES



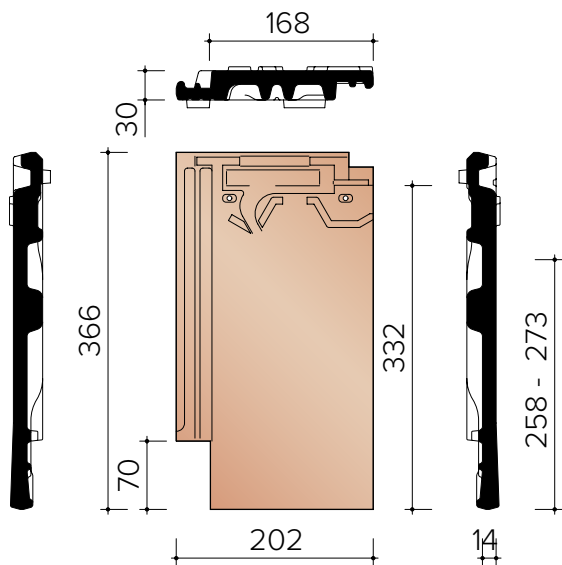
LOHAS
Australia



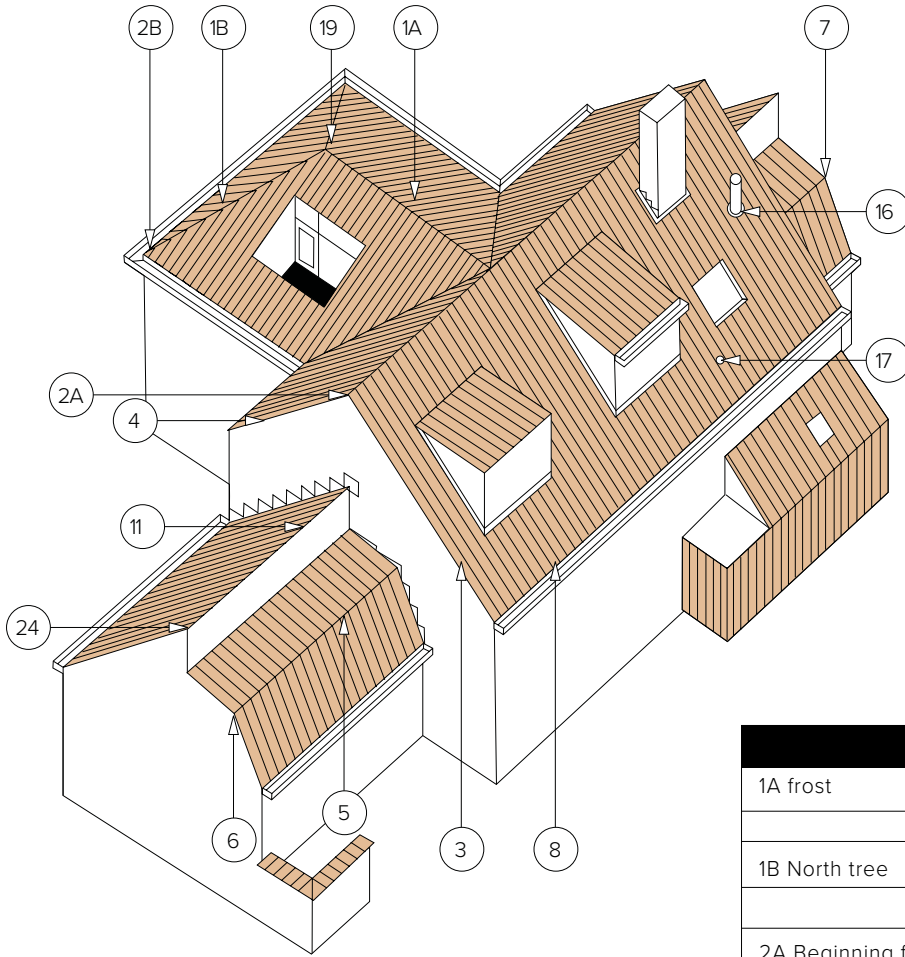
Vauban Cloudy



TECHNICAL INFORMATION



Definition:	Flat clay roof tile with double side closure, single head closure and adjustable batten distance
Min. roof slope with shelter - Fleece of Fleece Plus: - Fleece Premium:	25° 15°, subject to observance of the instructions in the Façade and underroof films brochure
Useful length (bar spacing):	± 258 - 273 mm
Useful width:	± 168 mm
Number of pieces/m ² :	± 21,8 - 23,1
Unit weight:	± 2,35 kg
Weight per m ² :	± 51,2 - 54,3 kg
Breaking load:	> 900 N
Impermeability:	≤ 0,5 cm ³ /cm ² .d
Frost resistance:	Frost resistance [EN 539-2]
Placement:	Crosswise



1A frost	1900
	2800
1B North tree	1900
	2800
2A Beginning frost with head plate	1910
End frost with head plate	2810
	1920
2B Beginning North Tree	2820
	1960
3 Left facade tile	2860
	7020
Pan without side closure	7080
	8045
4 Right facade tile	8070
	7030
one and a half pan	7090
5 Articulated pan	8080
6 Left gable hinged tile	8200
Left half facade kink tile	7280
7 Right gable tile	7220
Right half gable tile	7290
8 Gutter ventilation pan	7230
11 Universal hook frost	8690
16 Cooker pan kit	2200
Cap for cooker	8770
17 Ventilation pan	8780
19 prince hat	8640
	5870
24 Head plate for universal hook frost	5610
	2240

1



2



3

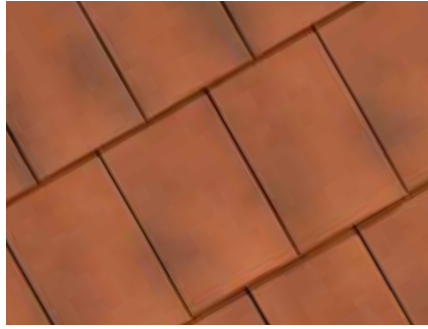


- 1. Natural Red
- 2. Cloudy
- 3. Anthrcite Matte

COLOUR RANGE



Natural Red



Cloudy



Antique Burgundy



Brown



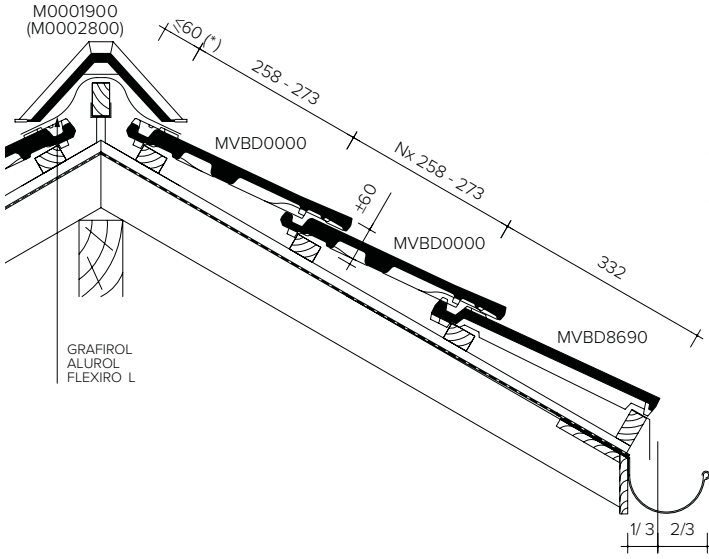
Anthracite Matte



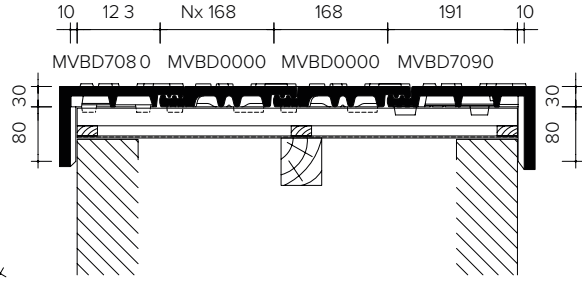
Titanium Black

TECHNICAL INFORMATION - LAYING PLANS

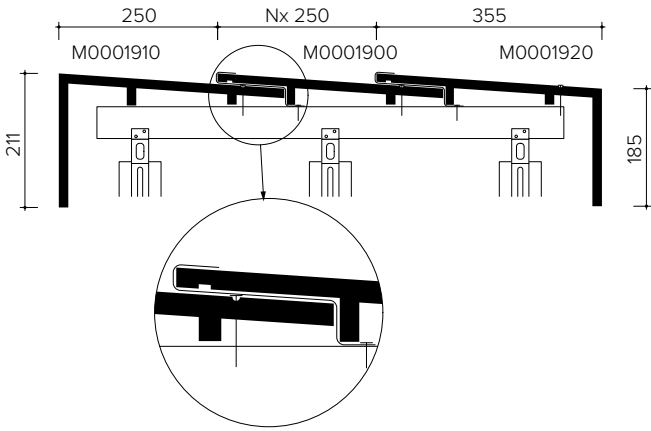
Length-Section roof at frost



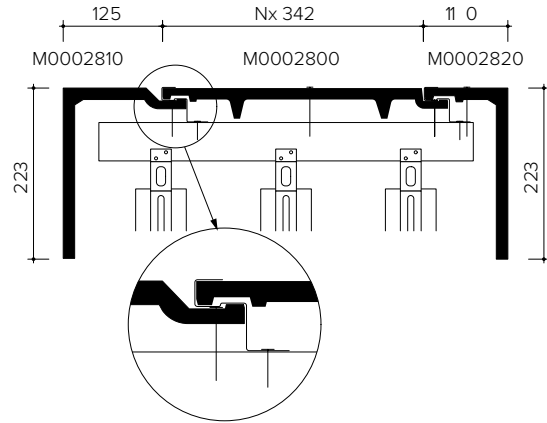
Cross-Section roof at height from facade tiles



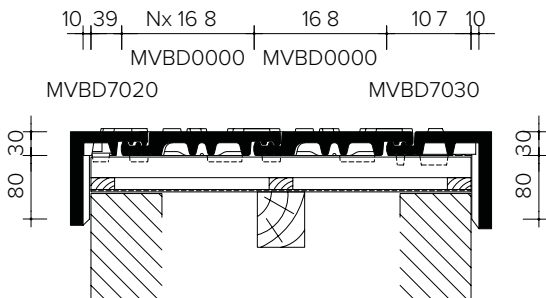
Cross-Section roof at angular frost



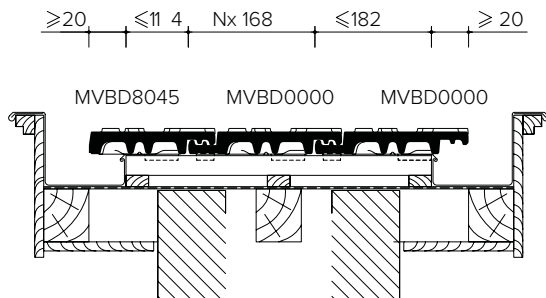
Cross-Section roof angular frost



Cross-Section roof at half facade tile

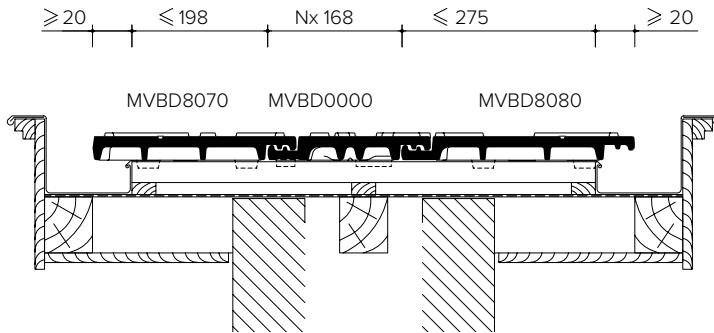


Cross-section roof at the height of pan without side closure

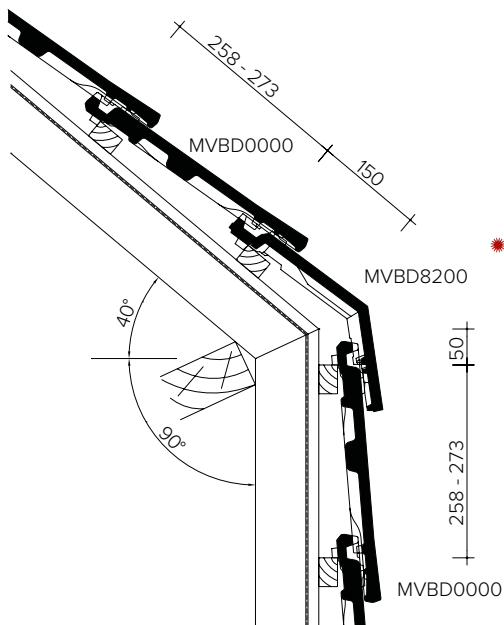


TECHNICAL INFORMATION - LAYING PLANS

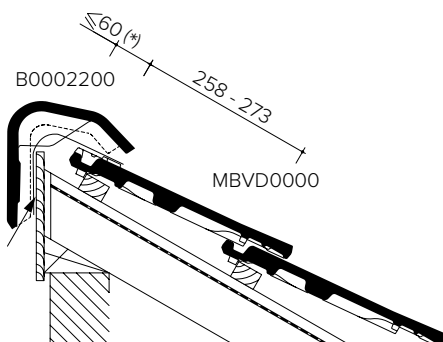
Cross-Section roof at the height of one and half pan without side closure



Length-section roof at the height of knikpan

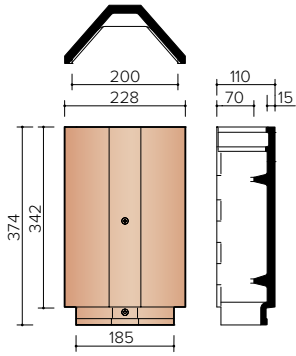


Length-section roof at universal hook frost



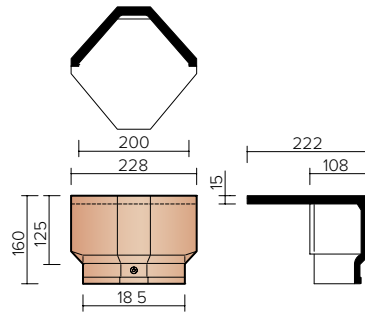
- * For custom-glued pieces, the customer must specify the opening angle. By default, the length of the drawing is provided in the documentation. Other sizes are possible as far as the sum of the two outer dimensions is not greater than the total length of the tile, and the length of the section of the hinged tile that ends up on the facade is not greater than the section on the roof.

TECHNICAL INFORMATION



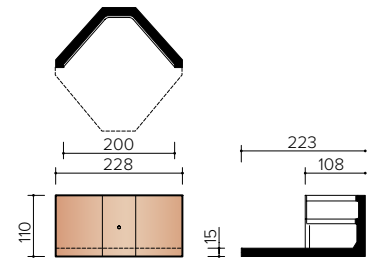
M0002800

3 pieces/Lm
Angular frost/northern tree



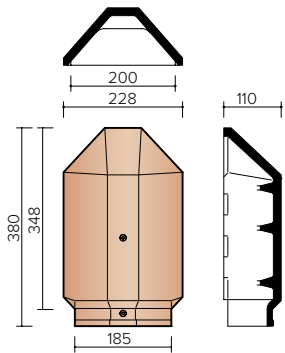
M0002810

Angular early frost Actua 10



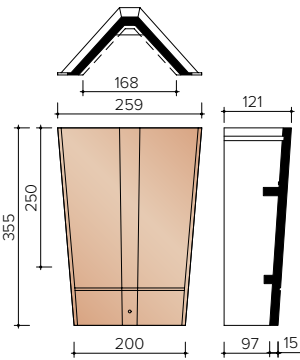
M0002820

Angular final frost Actua 10



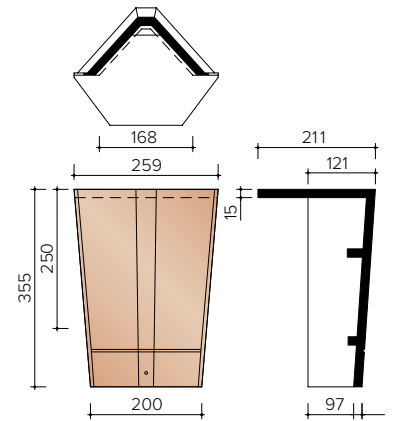
M0002860

Angular North Pole Actua 10



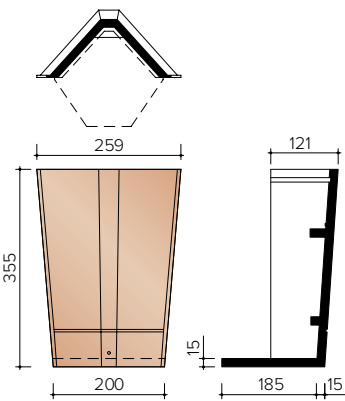
M0001900

4 pieces/Lm
Angular frost/northern

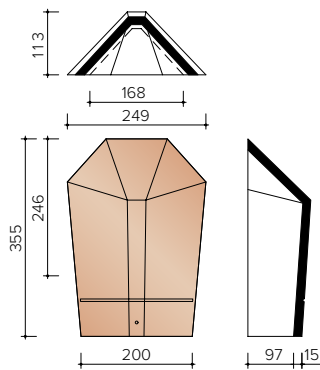


M0001910

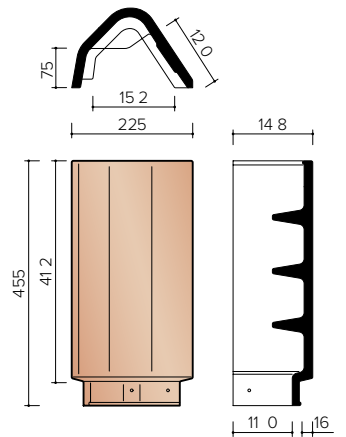
Angular initial frost



M0001920



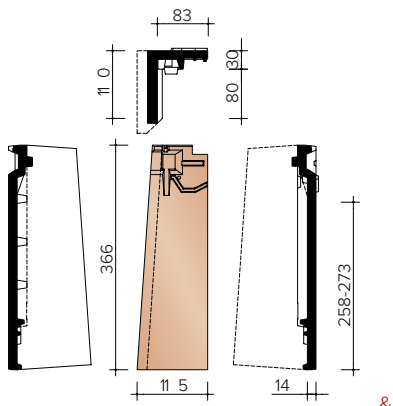
M0001960



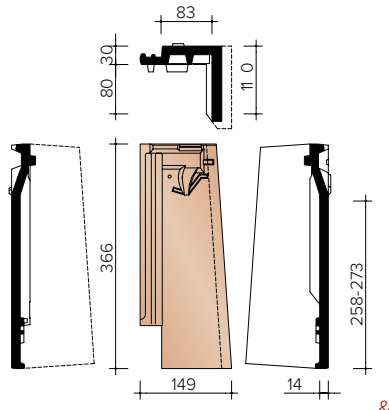
M0002200

4.5 pieces/Lm

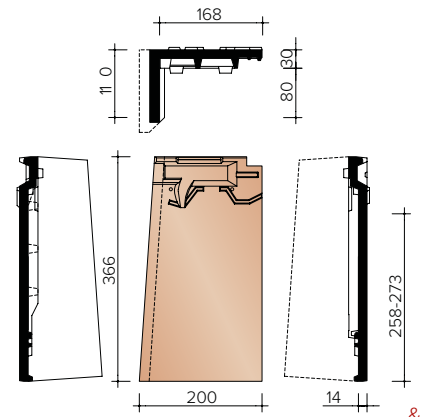
TECHNICAL INFORMATION - CLADDING TILES



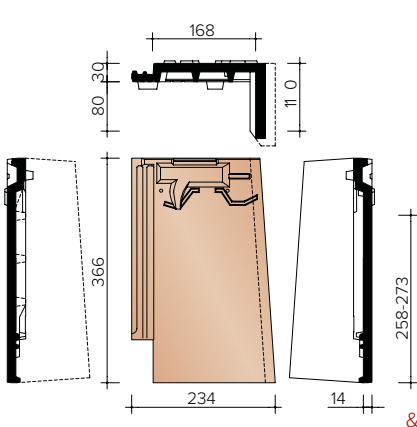
MVBD7020
1.9 pieces/Lm Half
left facade tile



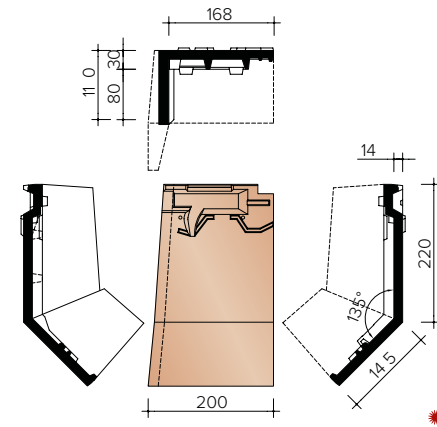
MVBD7030
1.9 pieces/Lm
Half right facade tile



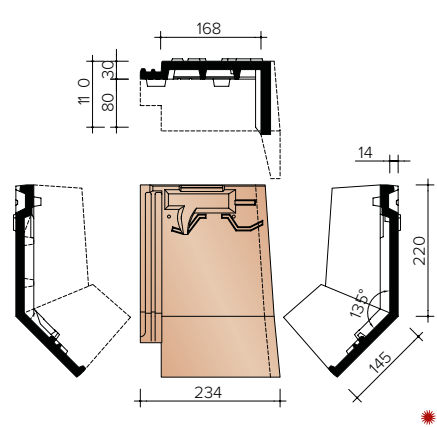
MVBD7080
1.9 pieces/Lm
Left facade tile



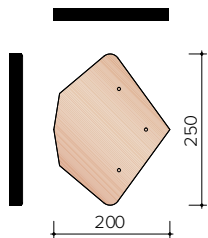
MVBD7090
1.9 pieces/Lm
Right facade tile



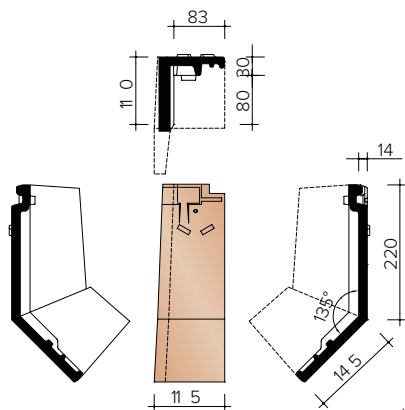
MVBD7280
Left gable tile



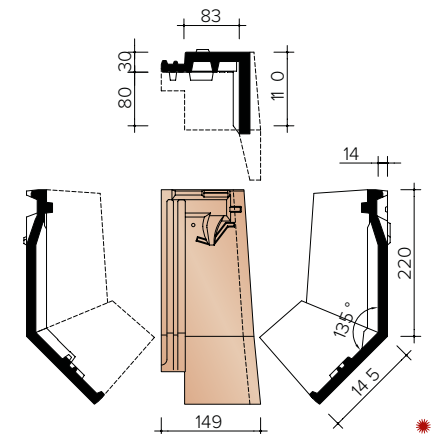
MVBD7290
Right gable tile



M0002240
Head plate for universal hook frost



MVBD7220
Tailor-made left half gable tile

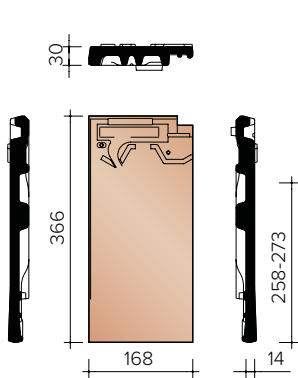


MVBD7230
Tailor-made right half gable

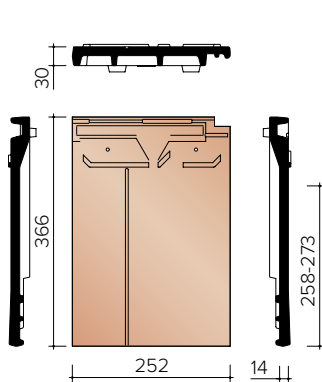
& Can always be used together in crosswise placement

☀ For custom glued pieces, the customer must specify the opening angle. By default, the length of the drawing is provided in the documentation. Other sizes are possible as far as the sum of the two external dimensions is not greater than the total length of the tile, and the length of the section of the hinged tile that is placed on the facade is not greater than the portion on the roof. These pieces are made to measure (= purchase obligation).

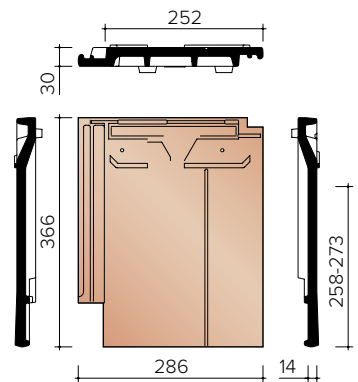
TECHNICAL INFORMATION - CLADDING TILES AND OTHER ACCESSORIES



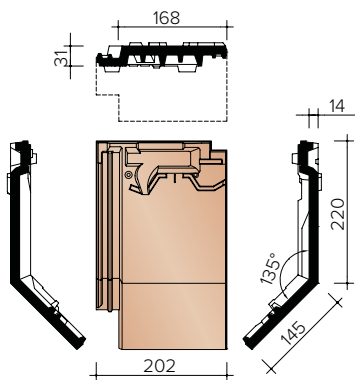
MVBD8045
1.9 pieces/Lm
Left side pan without side lock



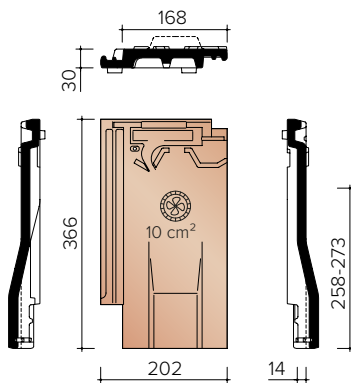
MVBD8070
1.9 pieces/Lm
Left one and a half side pan without side closure



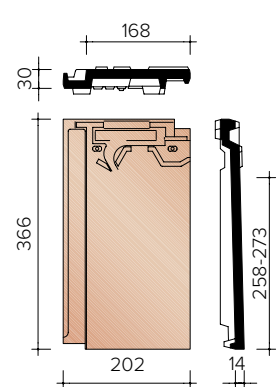
MVBD8080
Right side one and a half



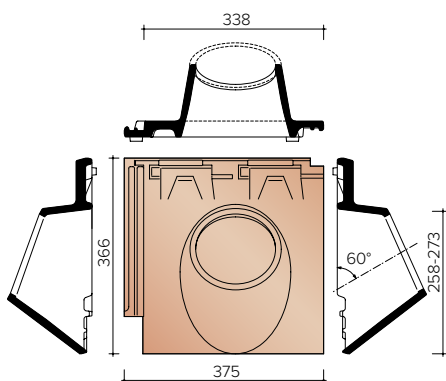
MVBD8200
5.9 pieces/Lm
Customised flimsy tile (glued)



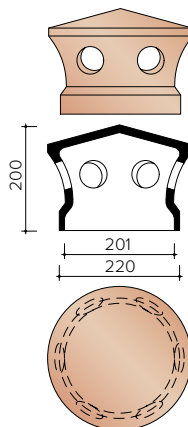
MVBD8640
Ventilation pan with grid in plastic
- 10 cm²



MVBD8690
5.9 pieces/Lm
Gutter vent pan



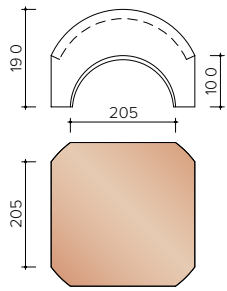
MVBD8770
Casserole Ø 160 mm



MVBD8780
Cap for cooker pan Ø 160 mm

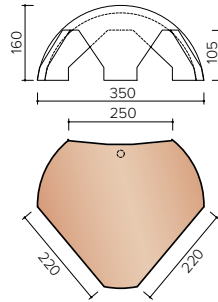
* For custom glued pieces, the customer must specify the opening angle. By default, the length of the drawing is provided in the documentation. Other sizes are possible as far as the sum of the two external dimensions is not greater than the total length of the tile, and the length of the section of the hinged tile that is placed on the facade is not greater than the portion on the roof

TECHNICAL INFORMATION - OTHER ACCESSORIES



M0005610

Prince's hat in combination with
princes 1900/2800 (4 directions)



M0005870

Prince's hat in combination with
princes 1900/2800 (3 directions)



LOHAS

Australia

